



GREENTEK ENERGY SYSTEMS, LLC
www.GreentekEnergySystems.com

NAME: LED Sport Light

P/N: GT-SL-750CS4H1-abcde

Note:

The letter "a" can be can be 2 letters represent lamp colors; "BH = Black 、 WH=White 、 BR=Brown or Customized"

The letter "b" can be "AM", "DM", "UB" or "FM" to represent type of Mounting Means;

The letter "c" can be "G" for wire guard or blank for not provided;

The letter "d" can be "10SP" or "20SP" for Surge-Protective Device type provided or blank for not provided;

The letter "e" can be any numbers to represent CCT.



AM



DM



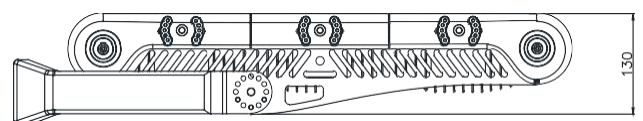
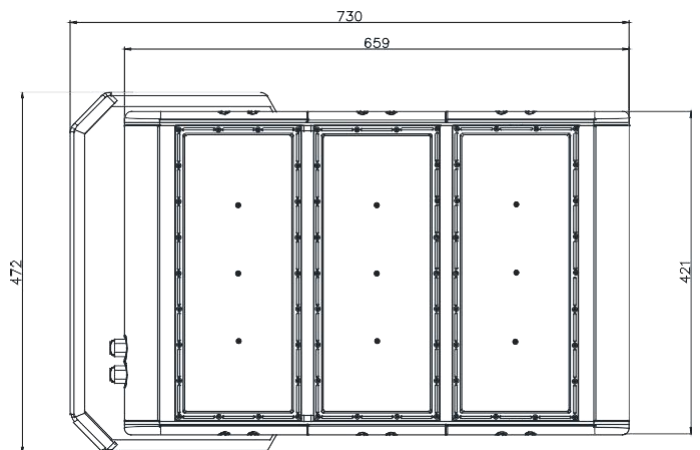
UB

Advantage:

- UL cUL DLC certificate
- Input voltage 277-480Vac
- No UV or IR in the beam
- Easy to install and operate
- Energy saving, long lifespan
- Instant start, NO flickering, NO humming
- Green and eco-friendly without mercury
- Output constant current lever can be adjusted through output cable with 1-10V.

Application:

- Gymnasium;
- Square plaza;
- Shipyard, Airport ,wharf;
- High mast and Contour lighting, etc.



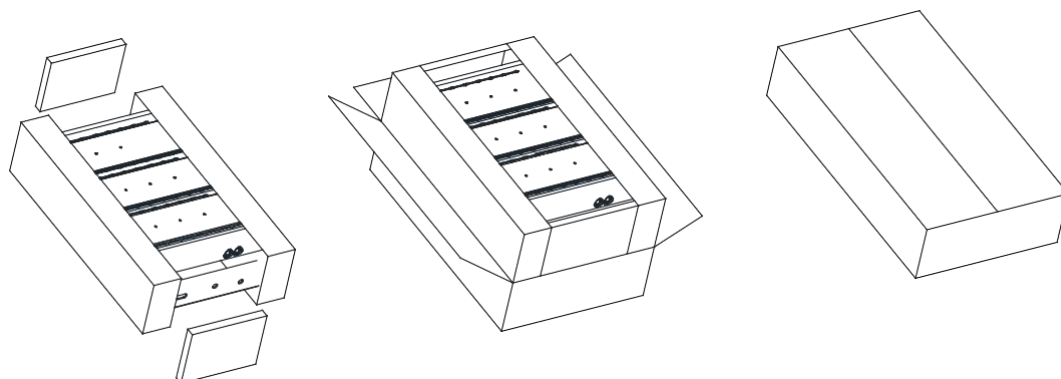
SPECIFICATIONS

OPTICAL	Input Power (Tolerance : ±10%)	750W
	Color Temperature	3000K/3500K/4000K/4500K/5000K/5700K
	Lumen (Tolerance : -10%)	93750-10125LM
	Efficacy (Tolerance : -3%)	125-135LM/W
	CRI	>70
	Color Consistency	<6 Steps (or <6 SDCM)
	BUG	B4-U0-G5
	Distribution Pattern	40 °
	Beam Angle (50%) (Tolerance : ±15%)	40 Degree
ELECTRICAL	Input Voltage and Frequency	277-480VAC, 50/60Hz
	PF (Tolerance : -3%)	≥0.9
	THD (Tolerance : +5%)	≤20%
	Flicker Percent	<5%
	Driver Brand	SOSEN
	Driver Model	SS-240M -56BH*3
	Driver Surge protection	L/N-PE: 10kV, L-N: 6kV
	Dimming	1-10V dimming standard
	Optional Accessory	Surge-protective Device,
MATERIALS	LED Brand	Seoul
	LED Type	SMD3030
	LED QTY	864 PCS
	Housing	Aluminum
	Housing Color	Brown, Black, or Customized
	EPA	2.98 ft ²
	Waterproof Rating	WET (IP65)
OTHERS	Operating Temperature	-40 °C TO 45°C
	Storage Temperature	-40°C TO 80°C
	Operating Humidity	20% - 90% RH
	Storage Humidity	10% - 95% RH
	Warranty	5 years warranty with 24/7 operating hours Luminaire lifetime at 25°C.

PACKAGE

Bracket Type	Carton Size	Qty / Carton	Net Weight / Carton	Gross Weight / Carton
AM	1100*542*250MM	1 PC	27 KG	29.5 KG
DM	1100*542*250MM	1 PC	27.1KG	29.6 KG
A&DM	1100*542*250 MM	1 PC	27.3 KG	29.8 KG
FM	940*542*250 MM	1 PC	26 KG	28.5 KG

Tolerance of Carton Size: ±15 MM, Tolerance of Weight: ±10%.



Light Distribution Testing Parameters

Luminaire Property

Luminaire Manufacturer:
 Luminaire Category:
 Lamp Catalog:
 Number of Lamps:
 Luminous Length (mm):
 Luminous Height (mm):
 Current: 2.734 A
 Power Factor: 0.995

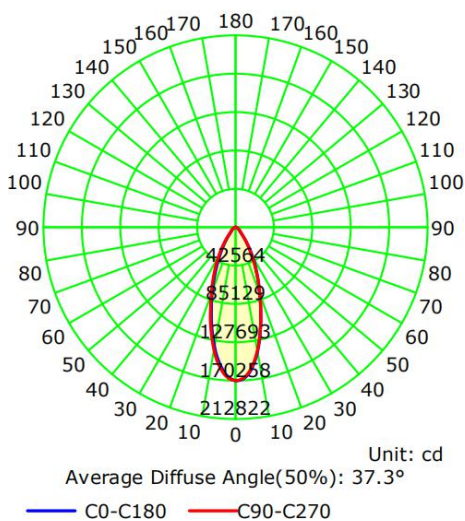
Luminaire Description:
 Lamp Description:
 Lumens per Lamp:
 Luminous Width (mm):
 Voltage: 277.0 V
 Power: 753.66 W

Photometric Results

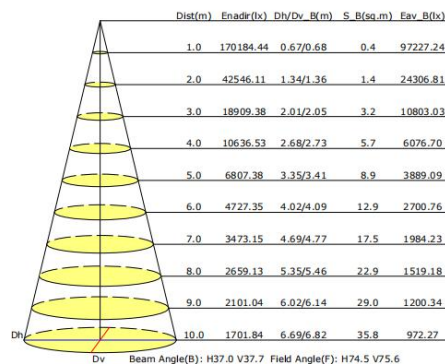
IES Classification: Type I
 Total Rated Lamp Lumens: 98429.2 lm
 Efficiency: 100%
 Upward Ratio: 0%
 C0r0 Intensity: 170184.44 cd
 Pos of Max. Intensity: H22.5 V1

Longitudinal Classification: Very Short
 Measurement Flux: 98429.2 lm
 Downward Ratio: 100%
 Luminaire Efficacy Rating (LER): 130.65
 Max. Intensity: 170258.27 cd

Luminous Intensity Distribution Curve



Illuminance at a Distance



NOTICE FOR USER

- Please turn off power before install or change assembly parts.
- The input voltage and lamps should be matched, after connecting the power line, Please make sure the wiring section is insulated.
- No-professionals, must not install and disassemble the lamps.

TROUBLE SHOOTINGS

Troubles	Check points
Flickering of the light	Turn off the power and turn on again in 3 minutes. If same phenomena occur, then call agencies.
Out of working	Please check the connection.

