



**GREENTEK ENERGY SYSTEMS, LLC**  
[www.GreentekEnergySystems.com](http://www.GreentekEnergySystems.com)

**NAME: LED Sport Light**

**P/N: GT-SL-500CS4H1-abcde**

**Note:**

The letter "a" can be can be 2 letters represent lamp colors; "BH = Black 、 WH=White 、 BR=Brown or Customized"

The letter "b" can be "AM", "DM", "UB" or "FM" to represent type of Mounting Means;

The letter "c" can be "G" for wire guard or blank for not provided;

The letter "d" can be "10SP" or "20SP" for Surge-Protective Device type provided or blank for not provided;

The letter "e" can be any numbers to represent CCT.



AM



DM



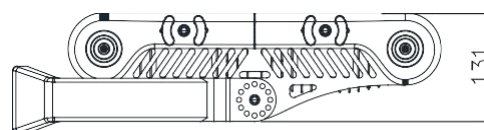
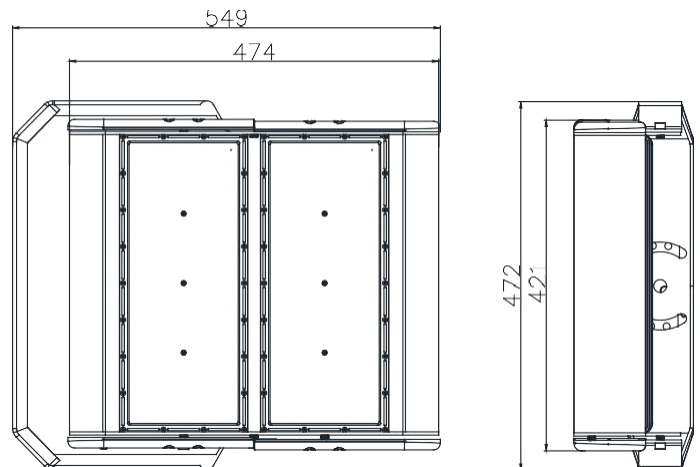
UB

### Advantage :

- UL cUL DLC certificate
- Input voltage 277-480Vac
- No UV or IR in the beam
- Easy to install and operate
- Energy saving, long lifespan
- Instant start, NO flickering, NO humming
- Green and eco-friendly without mercury
- Output constant current lever can be adjusted through output cable with 1-10V.

### Application :

- Gymnasium;
- Square plaza;
- Shipyard, Airport ,wharf;
- High mast and Contour lighting, etc.



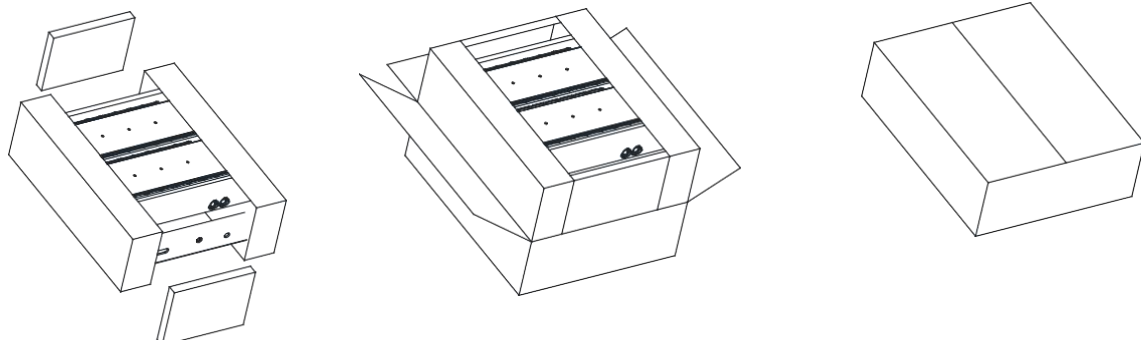
## SPECIFICATIONS

<b>OPTICAL</b>	Input Power (Tolerance : ±10%)	500W
	Color Temperature	3000K/3500K/4000K/4500K/5000K/5700K
	Lumen (Tolerance : -10%)	62500-67500LM
	Efficacy (Tolerance : -3%)	125-135LM/W
	CRI	>70
	Color Consistency	<6 Steps (or <6 SDCM)
	BUG	B4-U0-G5
	Distribution Pattern	40 °
	Beam Angle (50%) (Tolerance : ±15%)	40 Degree
<b>ELECTRICAL</b>	Input Voltage and Frequency	277-480VAC, 50/60Hz
	PF (Tolerance : -3%)	≥0.9
	THD (Tolerance : +5%)	≤20%
	Flicker Percent	<5%
	Driver Brand	SOSEN
	Driver Model	SS-240M -56BH*2
	Driver Surge protection	L/N-PE: 10kV, L-N: 6kV
	Dimming	1-10V dimming standard
	Optional Accessory	Surge-protective Device,
<b>MATERIALS</b>	LED Brand	Seoul
	LED Type	SMD3030
	LED QTY	576 PCS
	Housing	Aluminum
	Housing Color	Brown, Black, or Customized
	EPA	2.15 ft <sup>2</sup>
	Waterproof Rating	WET (IP65)
<b>OTHERS</b>	Operating Temperature	-40 °C TO 45°C
	Storage Temperature	-40°C TO 80°C
	Operating Humidity	20% - 90% RH
	Storage Humidity	10% - 95% RH
	Warranty	5 years warranty with 24/7 operating hours Luminaire lifetime at 25°C.

## PACKAGE

Bracket Type	Carton Size	Qty / Carton	Net Weight / Carton	Gross Weight / Carton
AM	920*542*250 MM	1 PC	20 KG	22.5 KG
DM	920*542*250 MM	1 PC	20.1KG	22.6 KG
A&DM	920*542*250 MM	1 PC	20.3 KG	22.8 KG
FM	760*542*250 MM	1 PC	18 KG	20.5 KG

Tolerance of Carton Size: ±15 MM, Tolerance of Weight: ±10%.



## Light Distribution Testing Parameters

### Luminaire Property

Luminaire Manufacturer:  
 Luminaire Category:  
 Lamp Catalog:  
 Number of Lamps:  
 Luminous Length (mm):  
 Luminous Height (mm):  
 Current: 1.809 A  
 Power Factor: 0.995

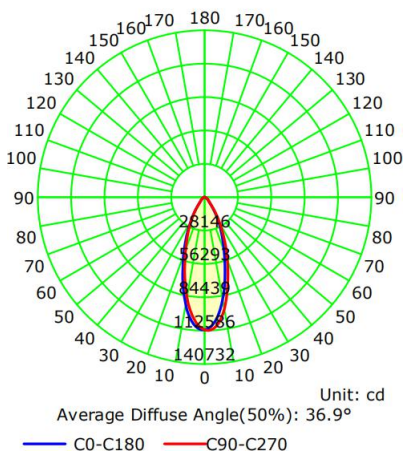
Luminaire Description:  
 Lamp Description:  
 Lumens per Lamp:  
 Luminous Width (mm):  
 Voltage: 277.0 V  
 Power: 498.52 W

### Photometric Results

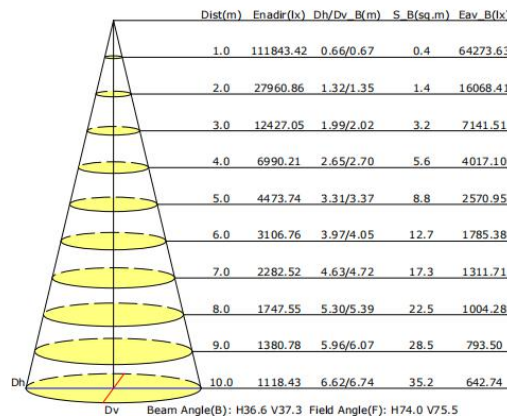
IES Classification: Type I  
 Total Rated Lamp Lumens: 64910.2 lm  
 Efficiency: 100%  
 Upward Ratio: 0%  
 C0r0 Intensity: 111843.42 cd  
 Pos of Max. Intensity: H112.5 V2

Longitudinal Classification: Very Short  
 Measurement Flux: 64910.2 lm  
 Downward Ratio: 100%  
 Luminaire Efficacy Rating (LER): 130.26  
 Max. Intensity: 112586.39 cd

Luminous Intensity Distribution Curve



Illuminance at a Distance



### NOTICE FOR USER

- Please turn off power before install or change assembly parts.
- The input voltage and lamps should be matched, after connecting the power line, Please make sure the wiring section is insulated.
- No-professionals, must not install and disassemble the lamps.

### TROUBLE SHOOTINGS

Troubles	Check points
Flickering of the light	Turn off the power and turn on again in 3 minutes. If same phenomena occur, then call agencies.
Out of working	Please check the connection.