



**GREENTEK ENERGY SYSTEMS, LLC**  
www.greentekes.com



P/N:GT-RWP02-80WCT1NA1-eK-JB-ab[S;Blank][F;Blank]

**Note:**

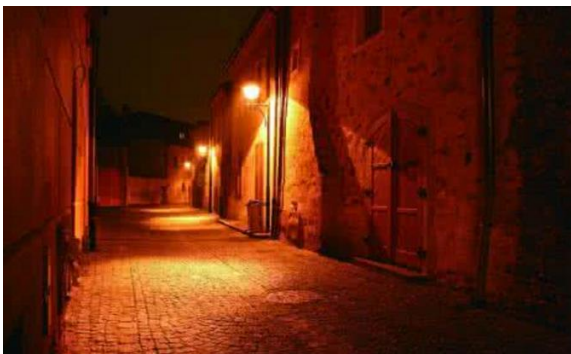
eK represents CCT ,such as 40K=4000K, 45K=4500K, 50K=5000K, 57K=5700K;

“a” represent lamp colors, such as“BH = Black、 WH=White、 BR=Brown or Customized”;

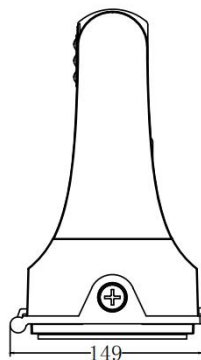
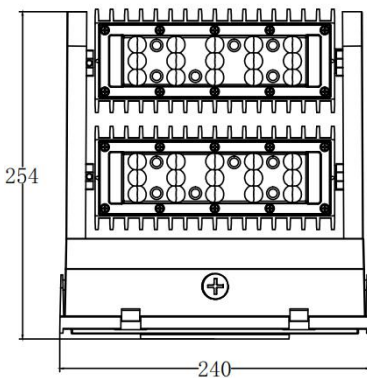
“b” can be any letter for Photocontrol and Motion Sensor and PIR control situation or blank for not provided;

[S;Blank]=S or blank for Surge-protection provided or not;

[F;Blank]=F or blank for 12Vdc Power Source provided or not.



## DIMENSIONS



## ADVANTAGE

- UL DLC-V5.1(Premium) certificate.
- IP65 Internal driver, Input voltage 120-277VAC;
- No UV or IR in the beam;
- Easy to install and operate;
- Energy saving, long lifespan;
- Instant start, NO humming;
- Green and eco-friendly without mercury.

## APPLICATION

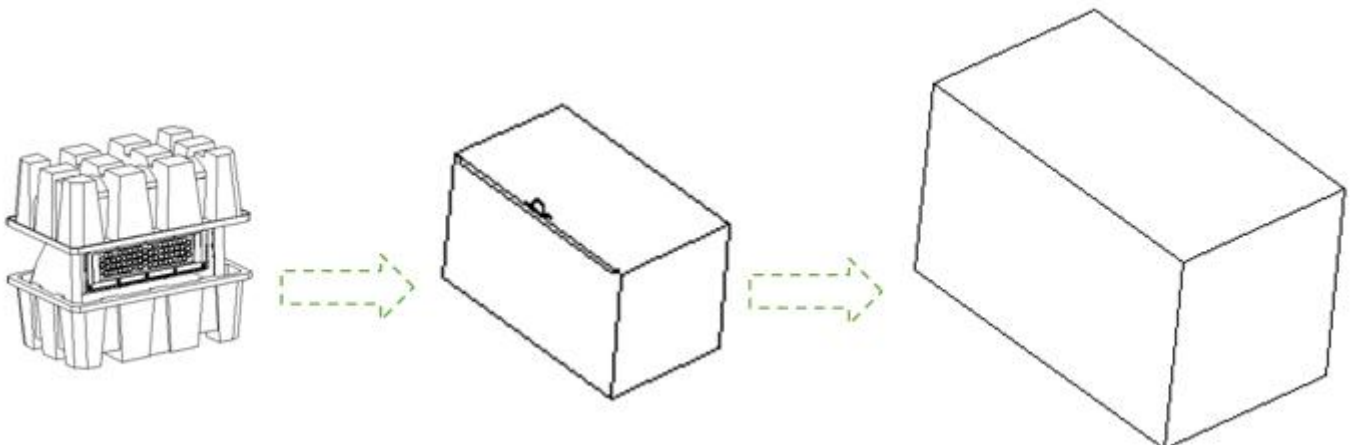
- ◆ Entrance lighting, courtyard lighting;
- ◆ Industrial lighting, Outdoor landscape lighting;
- ◆ Building, The hotel;
- ◆ Wall lighting area and so on.

## SPECIFICATIONS

<b>OPTICAL</b>	Input Power	80W
	Lumen	10400-11200LM
	Lumen Efficacy	130-140LM/W
	Color Temperature	4000K, 4500K, 5000K, 5700K
	CRI	>70
	Viewing Angle	60 Degree
<b>ELECTRICAL</b>	Input Voltage	120-277VAC 50/60Hz
	PF	≥0.9
	THD	≤20%
	Driver Model	WP-HHA-075U0441700
<b>MATERIALS</b>	LED Brand	Seoul
	LED Type	SMD 3030
	LED QTY	98 PCS
	Housing	Aluminum Alloy
	Housing Color	Black / Brown/white/customized
	Waterproof Rating	WET (IP65)
<b>OTHERS</b>	Operating Temperature	-30°C TO 45°C
	Operating Humidity	10%-90% RH
	Storage Temperature	-40°C TO 80°C
	Storage Humidity	10%-95% RH
	Warranty Time	5 Years

## PACKAGE

Lamp Net Weight	Size	Qty/Carton	Gross Weight / Carton
2.68 kg/pc	415 x 310 x 320 mm	2 pcs	7.2 kg



## LIGHT DISTRIBUTION TESTING PARAMETERS

### Luminaire Property

Luminaire Manufacturer:

Voltage: 120.0 V

Power: 77.85 W

Current: 0.652 A

Power Factor: 0.995

### Photometric Results

IES Classification: Type I

Total Rated Lamp Lumens: 10963.9 lm

Efficiency: 100%

Upward Ratio: 1%

Central Intensity: 8987.39 cd

Pos of Max. Intensity: H202.5 V3

Longitudinal Classification: Very Short

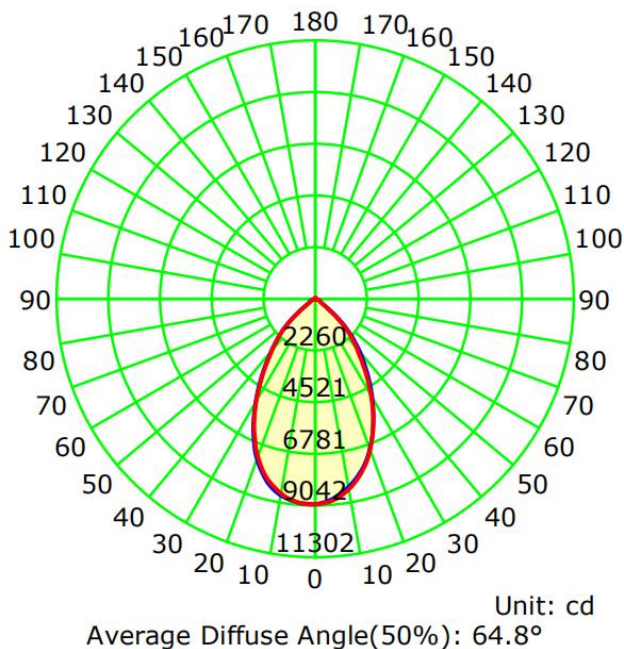
Measurement Flux: 10963.9 lm

Downward Ratio: 99%

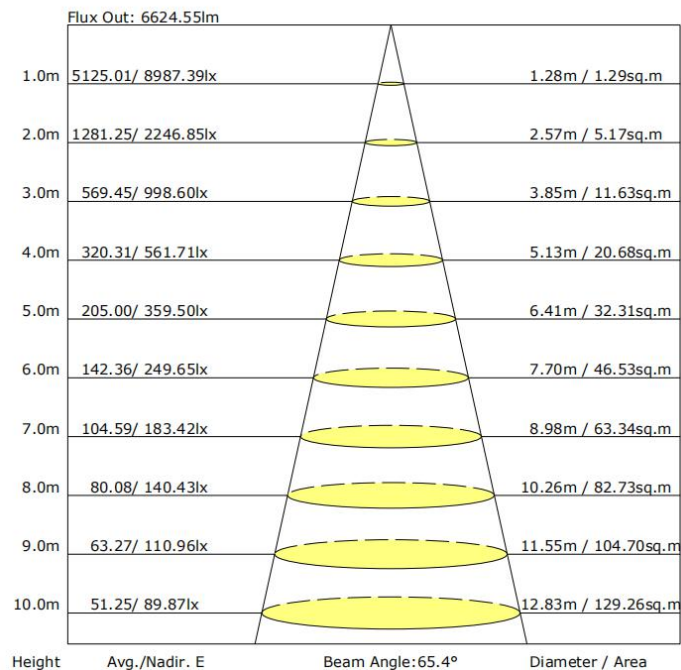
Luminaire Efficacy Rating (LER): 140.88

Max. Intensity: 9042.26 cd

Luminous Intensity Distribution Curve



The Average Illuminance Effective Figure



### NOTICE FOR USER

- Please turn off power before install or change assembly parts.
- The input voltage and lamps should be matched, after connecting the power line, Please make sure the wiring section is insulated.
- No-professionals, must not install and disassemble the lamps.

### TROUBLE SHOOTINGS

Troubles	Check points
Flickering of the light	Turn off the power and turn on again in 3 minutes. If same phenomena occur, then call agencies.
Out of working	Please check the connection.