



GREENTEK ENERGY SYSTEMS, LLC
www.greentekes.com



P/N:GT-RWP02-40WCT1NA1-eK-JB-ab[S;Blank][F;Blank]

Note:

eK represents CCT ,such as 40K=4000K, 45K=4500K, 50K=5000K, 57K=5700K;

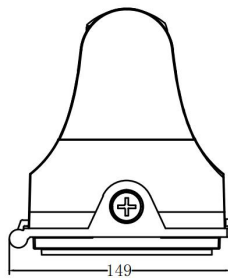
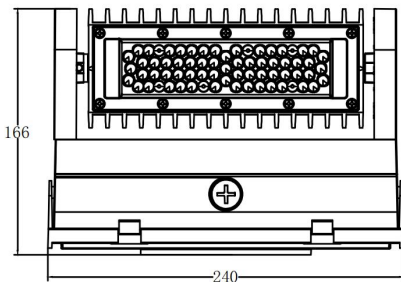
“a” represent lamp colors, such as“BH = Black、 WH=White、 BR=Brown or Customized”;

“b” can be any letter for Photocontrol and Motion Sensor and PIR control situation or blank for not provided;

[S;Blank]=S or blank for Surge-protection provided or not;

[F;Blank]=F or blank for 12Vdc Power Source provided or not.

DIMENSIONS



ADVANTAGE

- UL DLC-V5.1(Premium) certificate.
- IP65 Internal driver, Input voltage 120-277VAC;
- No UV or IR in the beam;
- Easy to install and operate;
- Energy saving, long lifespan;
- Instant start, NO humming;
- Green and eco-friendly without mercury.

APPLICATION

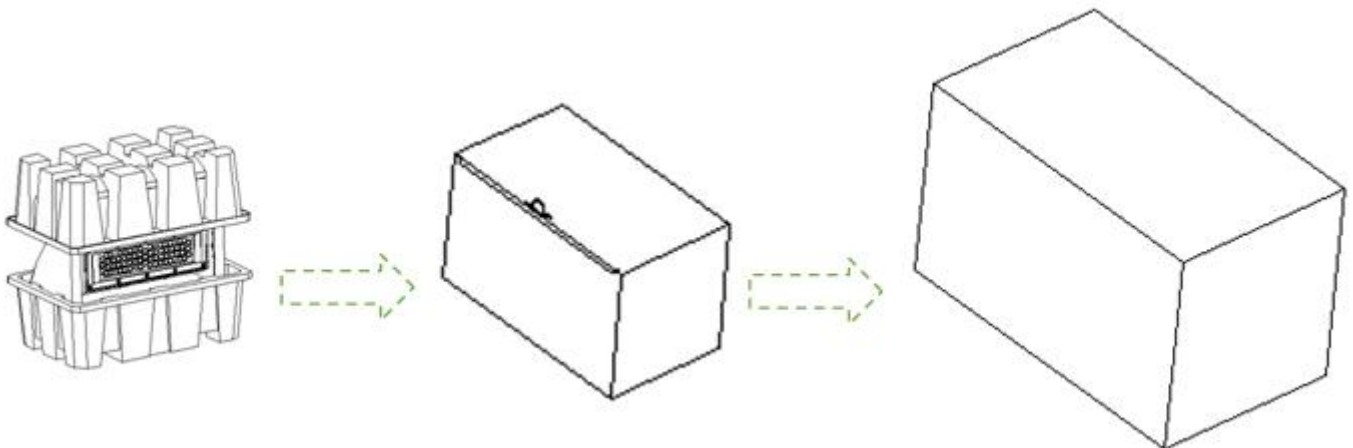
- ◆ Entrance lighting, courtyard lighting;
- ◆ Industrial lighting, Outdoor landscape lighting;
- ◆ Building, The hotel;
- ◆ Wall lighting area and so on.

SPECIFICATIONS

| | | |
|-------------------|-----------------------|--------------------------------|
| OPTICAL | Input Power | 40W |
| | Lumen | 5200-5600LM |
| | Lumen Efficacy | 130-140LM/W |
| | Color Temperature | 4000K, 4500K, 5000K, 5700K |
| | CRI | >70 |
| | Viewing Angle | 60 Degree |
| ELECTRICAL | Input Voltage | 120-277VAC 50/60Hz |
| | PF | ≥0.9 |
| | THD | ≤20% |
| | Driver Model | HB-LPG040-52 |
| MATERIALS | LED Brand | Seoul |
| | LED Type | SMD 3030 |
| | LED QTY | 49 PCS |
| | Housing | Aluminum Alloy |
| | Housing Color | Black / Brown/white/customized |
| | Waterproof Rating | WET (IP65) |
| OTHERS | Operating Temperature | -30°C TO 45°C |
| | Operating Humidity | 10%-90% RH |
| | Storage Temperature | -40°C TO 80°C |
| | Storage Humidity | 10%-95% RH |
| | Warranty Time | 5 Years |

PACKAGE

| Lamp Net Weight | Size | Qty/Carton | Gross Weight / Carton |
|-----------------|--------------------|------------|-----------------------|
| 1.74 kg/pc | 415 x 310 x 450 mm | 4 pcs | 9.5 kg |



LIGHT DISTRIBUTION TESTING PARAMETERS

Luminaire Property

Luminaire Manufacturer:

Voltage: 120.0 V

Power: 39.46 W

Current: 0.334 A

Power Factor: 0.986

Photometric Results

IES Classification: Type I

Total Rated Lamp Lumens: 5663.8 lm

Efficiency: 100%

Upward Ratio: 2%

Central Intensity: 4584.94 cd

Pos of Max. Intensity: H157.5 V2

Longitudinal Classification: Very Short

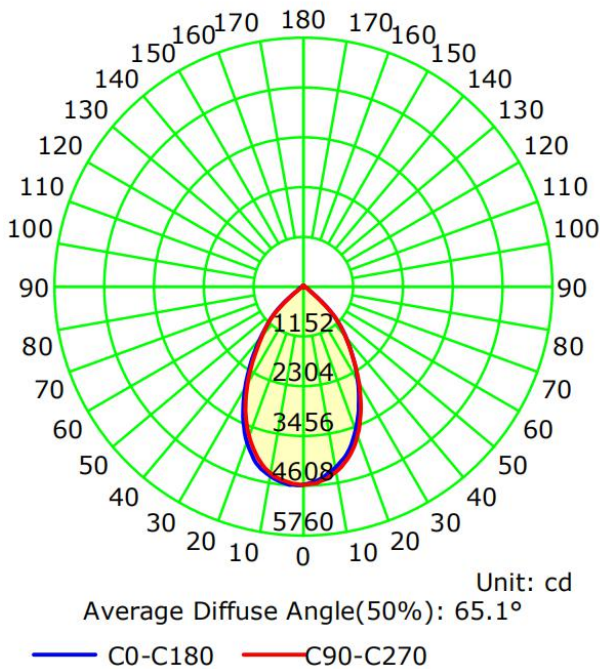
Measurement Flux: 5663.8 lm

Downward Ratio: 98%

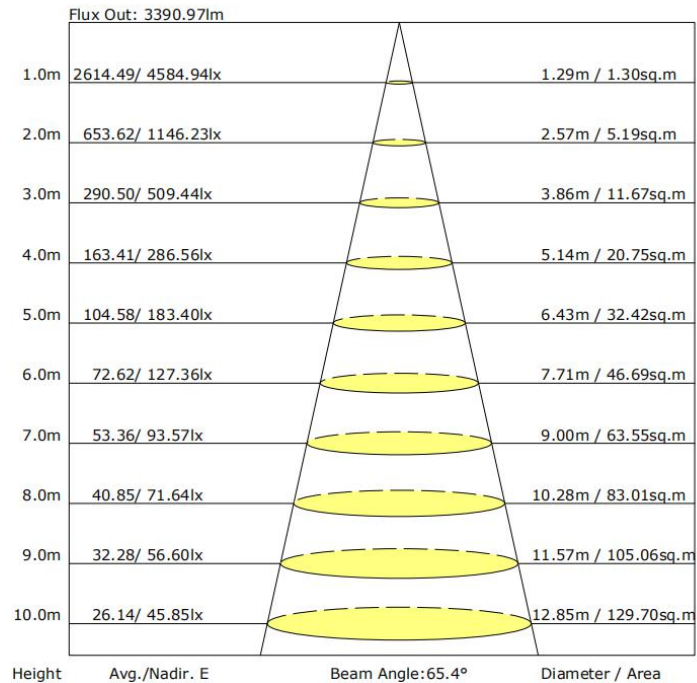
Luminaire Efficacy Rating (LER): 143.58

Max. Intensity: 4608.34 cd

Luminous Intensity Distribution Curve



The Average Illuminance Effective Figure



NOTICE FOR USER

- Please turn off power before install or change assembly parts.
- The input voltage and lamps should be matched, after connecting the power line, Please make sure the wiring section is insulated.
- No-professionals, must not install and disassemble the lamps.

TROUBLE SHOOTINGS

| Troubles | Check points |
|-------------------------|--|
| Flickering of the light | Turn off the power and turn on again in 3 minutes. If same phenomena occur, then call agencies. |
| Out of working | Please check the connection. |