

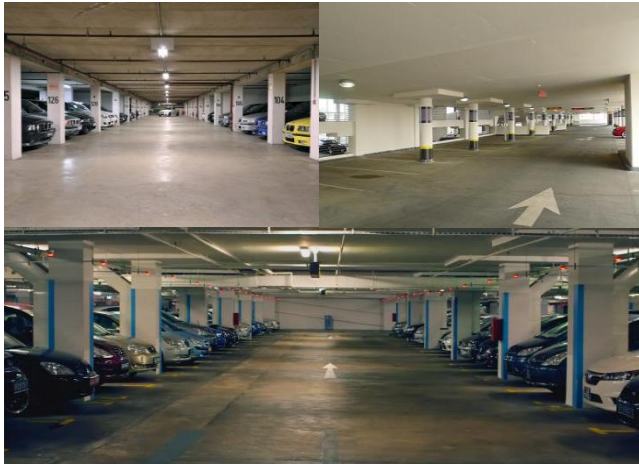


GREENTEK ENERGY SYSTEMS, LLC
www.greentekes.com

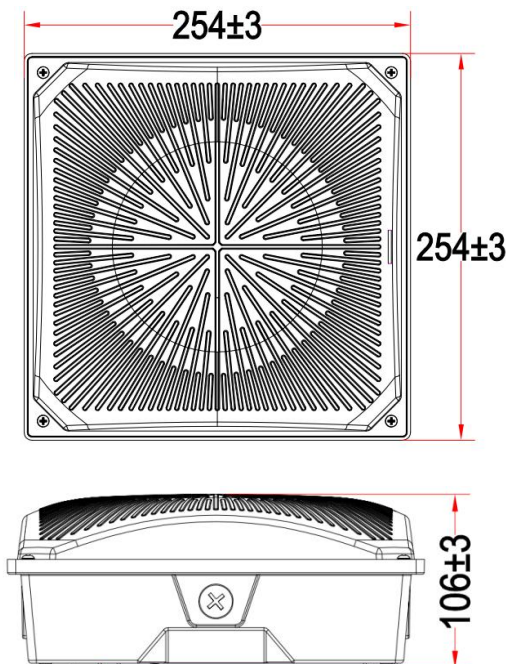
P/N: GT-PGD-60WBD7-abce-S

Note:

GT= Company name
 PGD = Product series, LED Parking Garage Light
 60W = Rating Power
 "B"= Lumileds 2835 ,LED manufacturer,
 "D7" = 160°Cover type,
 "a" can be any letters to represent Housing colors.
 "b" can be "P" or blank, "P" for Photocontrol, blank for no Photocontrol provided.
 "c" can be "M" or blank, "M" for microwave sensor, blank for no sensor provided.
 "e" can be "XXK" for CCT,
 40K=4000K, 50K=5000K, 57K=5700K
 "S" =single color temperature, representing the Led Module type,



DIMENSIONS



Advantage:

- UL DLC-V5.1(Premium) certificate.
- IP65 Internal driver,Input voltage 120-277Vac.
- No UV or IR in the beam.
- Easy to install and operate.
- Energy saving, Long lifespan.
- Light is soft and uniform, Safe to eyes.
- Instant start, NO flickering, NO humming.
- Green and eco-friendly without mercury.
- 0-10V Dimming.

Application:

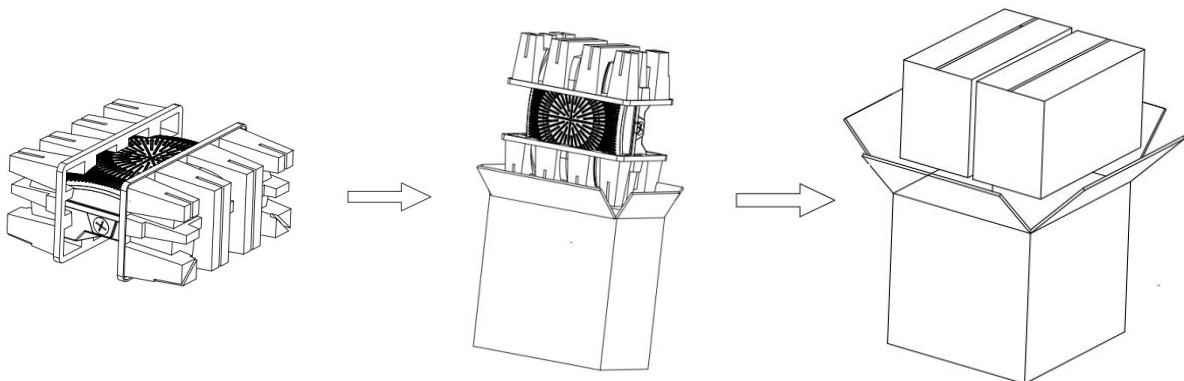
- ◆ Widely used in gas station,service station , underground parking lot,warehouse,garage;
- ◆ Work floor,factory and so on.

SPECIFICATIONS

OPTICAL	Input Power (Tolerance : $\pm 10\%$)	60W		
	Color Temperature	4000K	5000K	5700K
	Lumen (Tolerance : -10%)	8026 LM	8114 LM	8238 LM
	Efficacy (Tolerance : -3%)	135LM/W	136LM/W	139LM/W
	CRI	>80		
	Color Consistency	<6 Steps (or <6 SDCM)		
	BUG	B3-U3-G3		
	Diffuser Type	PC		
	Beam Angle (50%) (Tolerance : $\pm 15\%$)	160 Degree		
ELECTRICAL	Input Voltage and Frequency	120-277VAC, 50/60Hz;		
	PF (Tolerance : -3%)	≥ 0.9		
	THD (Tolerance : $+5\%$)	$\leq 20\%$		
	Flicker Percent	<5%		
	Driver Brand	BECKY		
	Driver Model	BQE58A-1280-43-PV		
	Driver Surge protection	L/N-PE: 6kV, L-N: 4kV		
	Dimming	0-10V dimming standard		
MATERIALS	LED Brand	Lumileds 2835		
	LED Type	SMD2835 (0.5W)		
	LED QTY	112 PCS		
	Housing	Die-cast aluminum		
	Housing Color	White, or Customized		
	Waterproof Rating	WET (IP65)		
OTHERS	Operating Temperature	-30°C TO $+45^{\circ}\text{C}$		
	Storage Temperature	-30°C TO 85°C		
	Operating Humidity	20% - 90% RH		
	Storage Humidity	10%-95% RH		
	Warranty	5 years		

PACKAGE

	Size	Qty / Carton	Net Weight / Carton	Gross Weight / Carton
Inner box	308*158*310 mm	1 PCS	2.75 KG	3.37 KG
Outer box	332*323*330 mm	2 PCS	5.5 KG	7.458 KG



LIGHT DISTRIBUTION TESTING PARAMETERS

Luminaire Property

Luminaire Manufacturer:
Luminaire Category:
Lamp Catalog:
Number of Lamps:
Luminous Length (mm):
Luminous Height (mm):
Current: 0.496 A
Power Factor: 0.996

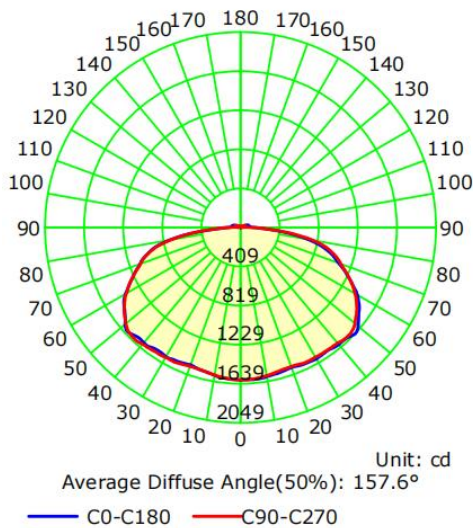
Luminaire Description:
Lamp Description:
Lumens per Lamp:
Luminous Width (mm):
Voltage: 120.0 V
Power: 59.31 W

Photometric Results

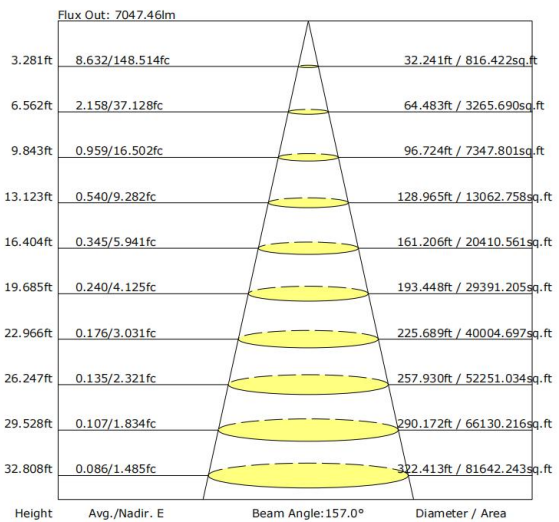
IES Classification: Type IV
Total Rated Lamp Lumens: 7920.6 lm
Efficiency: 100%
Upward Ratio: 4%
C0r0 Intensity: 1598.59 cd
Pos of Max. Intensity: H0 V47

Longitudinal Classification: Short
Measurement Flux: 7920.6 lm
Downward Ratio: 96%
Luminaire Efficacy Rating (LER): 133.60
Max. Intensity: 1639.94 cd

Luminous Intensity Distribution Curve



The Average Illuminance Effective Figure



Notice For User

- ◆ Please turn off power before install or change assembly parts.
- ◆ The input voltage and lamps should be matched, after connecting the power line, Please make sure the wiring section is insulated.
- ◆ No-professionals, must not install and disassemble the lamps.

Trouble Shootings

Troubles	Check points
Flickering of the light	Turn off the power and turn on again in 3 minutes. If same phenomena occur, then call agencies
Out of working	Please check the connection