



**GREENTEK ENERGY SYSTEMS, LLC**  
www.greentekes.com

## P/N :GT-PGD-20WBD7-abce-S

### Note:

GT= Company name;

PGD= Product series, LED Parking Garage Light;

20W=Rating Power;;

B=LED manufacturer, Lumileds2835;

D7=for diffuser type;

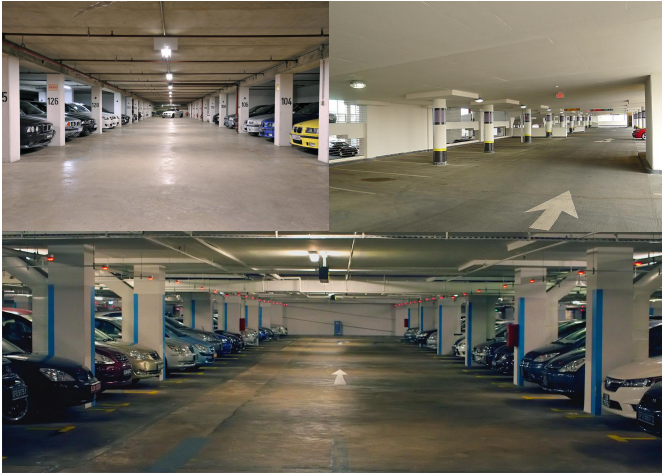
“a” can be any letters for Housing colors;

“b” can be “P”, “P1” or blank for Photocontrol provided or not;

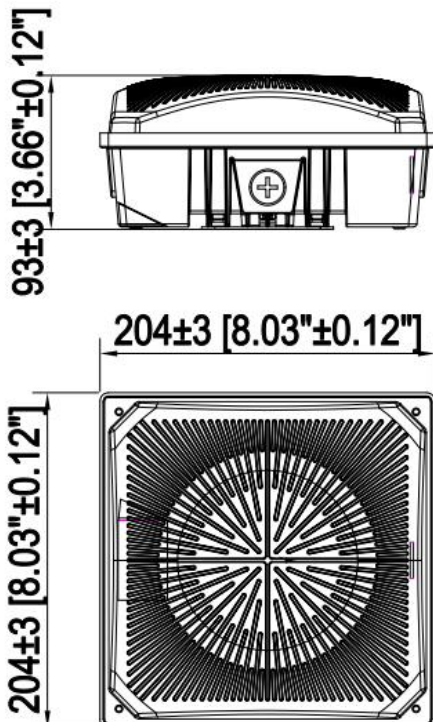
“c” can be “M” or P or blank for Motion Sensor, PIR Sensor provided or not;

“e” can be XXK for CCT,40K=4000K,50K=5000K,57K=5700K

S=Single CCT;



## DIMENSIONS



## ADVANTAGE

- UL DLC-V5.1(Premium) certificate;
- IP65 driver, input voltage 120-277VAC;
- No UV or IR in the beam;
- Easy to install and operate;
- Energy saving, long lifespan;
- Light is soft and uniform, safe to eyes;
- Instant start, NO flickering, NO humming;
- Green and eco-friendly without mercury;

## APPLICATION

- Widely used in gas station, service station, underground parking lot, warehouse, garage;
- Work floor, factory and so on;

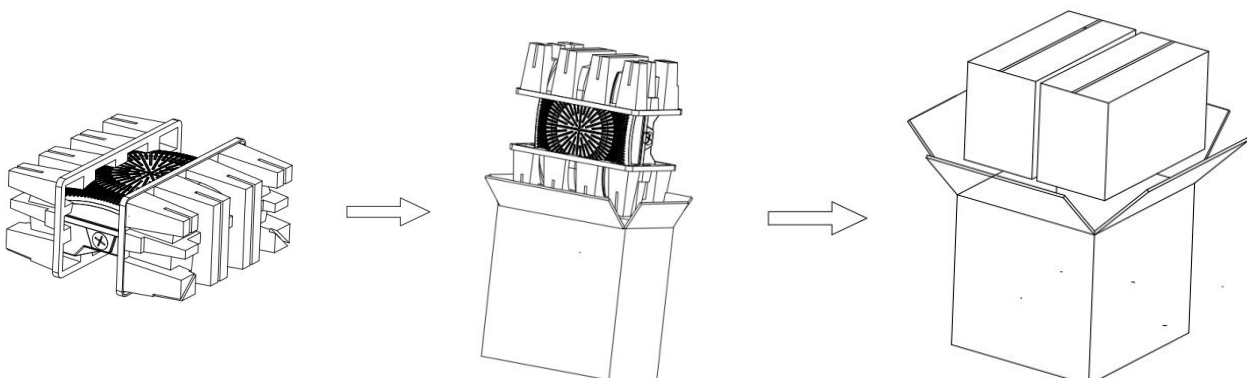
## SPECIFICATIONS

|                   |                                     |   |         |         |
|-------------------|-------------------------------------|---|---------|---------|
| <b>OPTICAL</b>    | Input Power (Tolerance : ±10%)      | 20W   |         |         |
|                   | Color Temperature                   | 4000K   | 5000K   | 5700K   |
|                   | Lumen (Tolerance : ±10%)            | 2720LM  | 2800LM  | 2820LM  |
|                   | Efficacy (Tolerance : ±3%)          | 136LM/W   | 140LM/W | 141LM/W |
|                   | CRI                                 | >80   |         |         |
|                   | Color Consistency                   | <6 Steps (or <6 SDCM)   |         |         |
|                   | BUG                                 | B1-U3-G1  |         |         |
|                   | Diffuser Type                       | PC lens   |         |         |
|                   | Beam Angle (50%) (Tolerance : ±15%) | 160 Degree  |         |         |
| <b>ELECTRICAL</b> | Input Voltage and Frequency         | 120-277VAC, 50/60Hz;  |         |         |
|                   | PF (Tolerance : -3%)                | ≥0.9  |         |         |
|                   | THD (Tolerance : +5%)               | ≤20%  |         |         |
|                   | Flicker Percent                     | <30%  |         |         |
|                   | Driver Brand                        | BECKY   |         |         |
|                   | Driver Model                        | BQE30H-0500-40-PV   |         |         |
|                   | Driver Surge protection             | L/N- PE: 6kV, L-N: 4kV  |         |         |
|                   | Dimming                             | 0-10V dimming standard  |         |         |
|                   | Sensor Type                         | Occupancy Sensor  |         |         |
|                   | Optional Accessory                  | Surge-protective Device, Photocontrol, Motion Sensor,PIR sensor         |         |         |
| <b>MATERIALS</b>  | LED Brand                           | Lumileds 2835   |         |         |
|                   | LED Type                            | SMD2835 (0.5W)  |         |         |
|                   | LED QTY                             | 36PCS   |         |         |
|                   | Housing                             | Die-cast aluminum   |         |         |
|                   | Housing Color                       | White or Customized   |         |         |
|                   | Waterproof Rating                   | WET (IP65)  |         |         |
| <b>OTHERS</b>     | Operating Temperature               | Without Motion Sensor: -40°C TO 45°C; With Motion Sensor: -30°C TO 45°C |         |         |
|                   | Storage Temperature                 | -40°C TO 85°C   |         |         |
|                   | Operating Humidity                  | 10%- 90% RH   |         |         |
|                   | Storage Humidity                    | 10%- 95% RH   |         |         |
|                   | Warranty                            | 5 years   |         |         |

## PACKAGE

|           | Size                                       | Qty / Carton | Net Weight / Carton | Gross Weight / Carton |
|-----------|--|--------------|---------------------|-----------------------|
| Inner box | 258*148*260 mm<br>[10.16*5.83*10.24 inch]  | 1 PCS        | 1.35 KG[2.97 LBS]   | 1.81 KG[3.98 LBS]     |
| Outer box | 312*273*280 mm<br>[12.28*10.75*11.02 inch] | 2 PCS        | 2.7 KG[5.94 LBS]    | 4.20 KG[9.24 LBS]     |

Tolerance of Carton Size: ±15 mm[±0.59 inch], Tolerance of Weight: ±10%.



## LIGHT DISTRIBUTION TESTING PARAMETERS

### Luminaire Property

Luminaire Manufacturer:  
 Luminaire Category:  
 Lamp Catalog:  
 Number of Lamps:  
 Luminous Length (mm):  
 Luminous Height (mm):  
 Current: 0.168 A  
 Power Factor: 0.993

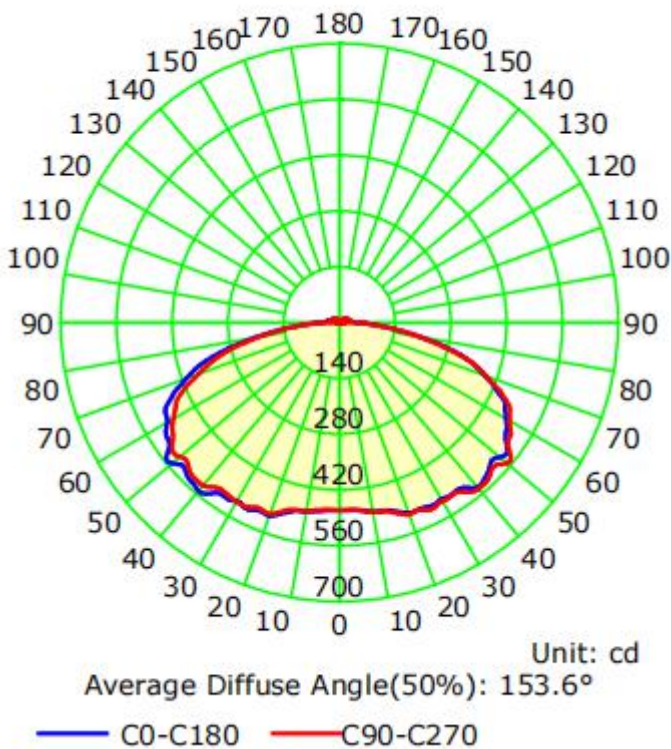
Luminaire Description:  
 Lamp Description:  
 Lumens per Lamp:  
 Luminous Width (mm):  
 Voltage: 120.0 V  
 Power: 20.02 W

### Photometric Results

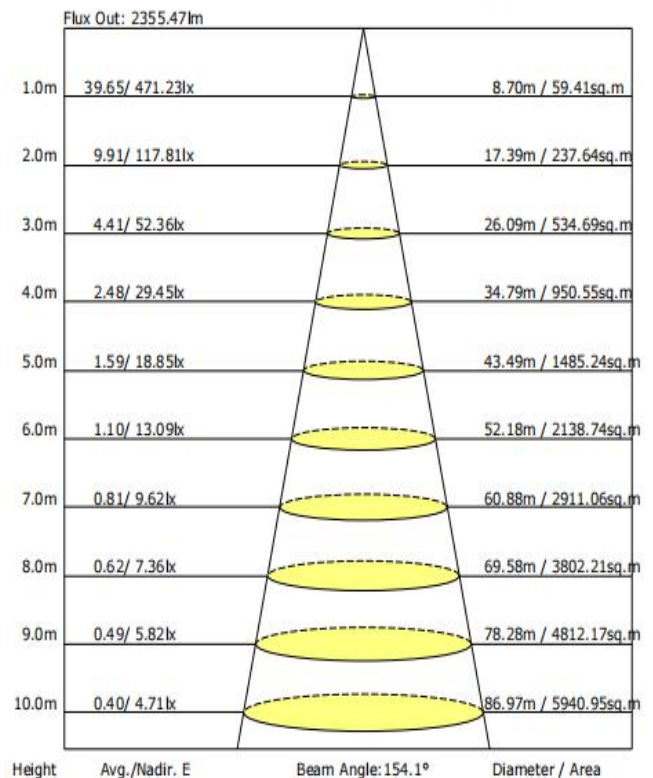
CIE Class: Direct  
 Measurement Flux: 2686 lm  
 Downward Ratio: 96%  
 Horizontal Diffuse Angle(10%,50%): H179,H154.4  
 Vertical Diffuse Angle(10%,50%): V179.4,V153.6  
 Luminaire Efficacy Rating (LER): 134.21  
 Max. Intensity: 560.18 cd  
 S/MH(C0/C180): 1.73

Total Rated Lamp Lumens: 2686.0 lm  
 Efficiency: 100%  
 Upward Ratio: 4%  
 C0r0 Intensity: 471.23 cd  
 Pos of Max. Intensity: H135 V47  
 S/MH(C90/C270): 1.72

Luminous Intensity Distribution Curve



The Average Illuminance Effective Figure



## NOTICE FOR USER

- Please turn off power before install or change assembly parts.
- The input voltage and lamps should be matched, after connecting the power line, Please make sure the wiring section is insulated.
- No-professionals, must not install and disassemble the lamps.

## TROUBLE SHOOTINGS

| Troubles                | Check points   |
|-------------------------|--|
| Flickering of the light | Turn off the power and turn on again in 3 minutes.<br>If same phenomena occur, then call agencies. |
| Out of working          | Please check the connection.   |