

GREENTEK ENERGY SYSTEMS, LLC
www.greentekes.com



P/N: GT-MWP4-20W-LBMb-ad-S

Note:

GT= Company name;

MWP4= Product series, LED Wall Pack;

20W = Rating Power;

B=Lumileds;

"M" stands for Matte lens;

"b" can be "P" or blank, P= Photocontrol type provided ;

"a" can be any two letters to represent lamp colors;

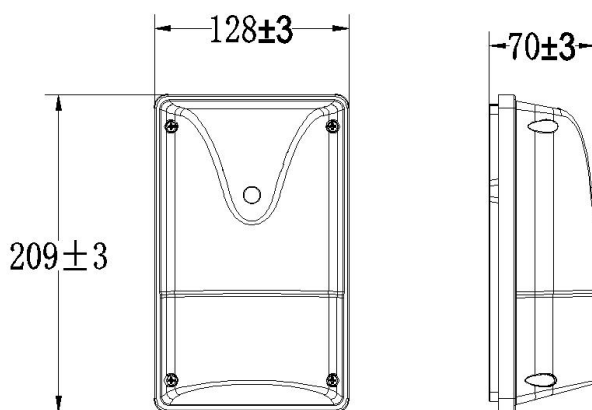
BR=Brown, BH=Black, or Customized;

"d" can be XXK for CCT;

40K=4000K, 50K=5000K , 57K=5700K

"S"=Single color temperature;

DIMENSIONS



ADVANTAGE

- UL certificate.
- Lumileds Chip, high CRI.
- Input voltage 120-277VAC.
- Output constant current lever can be adjusted through output cable with 0-10V.
- No UV or IR in the beam.
- Easy to install and operate.
- Energy saving, long lifespan.
- Light is soft and uniform, safe to eyes.
- Instant start, NO flickering, NO humming.
- Green and eco-friendly without mercury.

APPLICATION

- entrance lighting, courtyard lighting.
 - Industrial lighting, Outdoor landscape lighting.
 - Building, The hotel.
- Wall lighting area and so on.

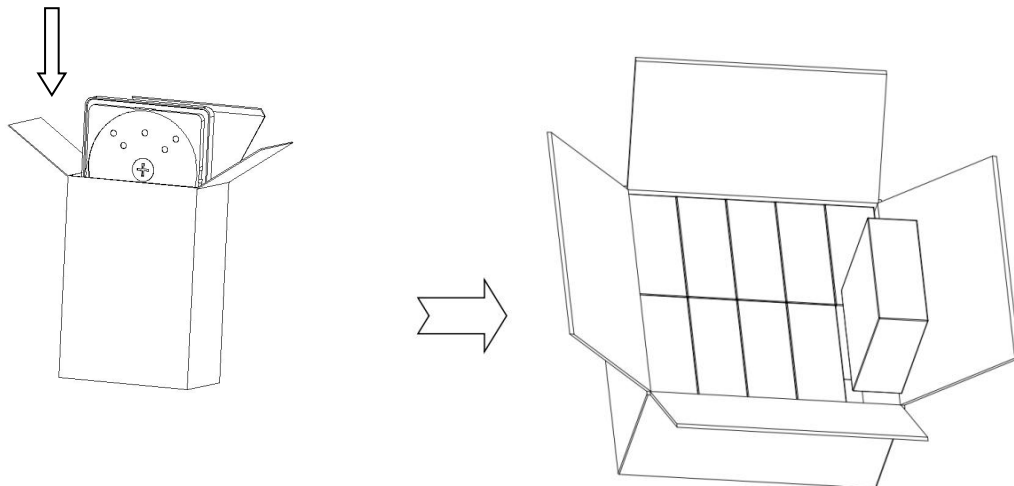
SPECIFICATIONS

OPTICAL	Input Power (Tolerance : $\pm 10\%$)	20W		
	Color Temperature	4000K	5000K	5700K
	Lumen (Tolerance : $\pm 10\%$)	2769LM	2817LM	2889LM
	Efficacy (Tolerance : $\pm 3\%$)	130LM/W	132LM/W	132.1LM/W
	CRI	>80		
	Color Consistency	<6 SDCM		
	Distribution Pattern	Matte lens		
	Beam Angle (50%) (Tolerance : $\pm 15\%$)	100 Degree		
ELECTRICAL	Input Voltage and Frequency	120-277VAC, 50/60Hz		
	PF (Tolerance : -3%)	≥ 0.9		
	THD (Tolerance : +5%)	$\leq 20\%$		
	Flicker Percent	<70%		
	Driver Brand	AST		
	Driver Model	HB-FL19F025		
	Driver Surge protection	L/N-PE: 2.5kV, L-N: 2.5kV		
	Dimming	0-10V dimming standard		
	Optional Accessory	Photocontrol		
MATERIALS	LED Brand	Lumileds		
	LED Type	SMD2835		
	LED QTY	63pcs		
	Housing	Die-cast aluminum		
	Housing Color	Brown, Black, or Customized		
	Waterproof Rating	WET (IP65)		
OTHERS	Operating Temperature	-40°C TO 45°C		
	Storage Temperature	-40°C TO 85°C		
	Operating Humidity	10% - 90% RH		
	Storage Humidity	5% - 95% RH		
	Warranty	5 years		

PACKAGE

	Carton Size	Qty / Carton	Net Weight / Carton	Gross Weight / Carton
Inner box	135*80*219mm	1	0.7kg	0.77kg
Outer box	417*285*239mm	10	7kg	9kg

Tolerance of Carton Size: ± 15 MM, Tolerance of Weight: $\pm 10\%$.



LIGHT DISTRIBUTION TESTING PARAMETERS

Luminaire Property

Luminaire Manufacturer:
 Luminaire Category:
 Lamp Catalog:
 Number of Lamps:
 Luminous Length (mm):
 Luminous Height (mm):
 Current: 0.179 A
 Power Factor: 0.989

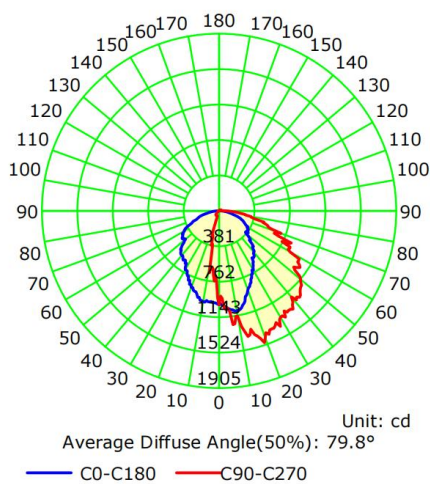
Luminaire Description:
 Lamp Description:
 Lumens per Lamp:
 Luminous Width (mm):
 Voltage: 120.0 V
 Power: 21.29 W

Photometric Results

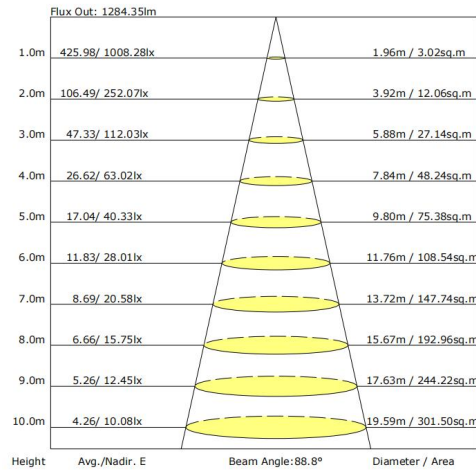
IES Classification: Type III
 Total Rated Lamp Lumens: 2724.0 lm
 Efficiency: 100%
 Upward Ratio: 3%
 C0r0 Intensity: 1008.28 cd
 Pos of Max. Intensity: H67.5 V21
 Beam Angle(C0/C180,C90/C270,C45/C225,C135/315): 88.8, 70.8, 73.8, 79.2

Longitudinal Classification: Very Short
 Measurement Flux: 2724 lm
 Downward Ratio: 97%
 Luminaire Efficacy Rating (LER): 128.00
 Max. Intensity: 1524.33 cd

Luminous Intensity Distribution Curve



The Average Illuminance Effective Figure



NOTICE FOR USER

- Please turn off power before install or change assembly parts.
- The input voltage and lamps should be matched, after connecting the power line, Please make sure the wiring section is insulated.
- No-professionals, must not install and disassemble the lamps.

TROUBLE SHOOTINGS

Troubles	Check points
Flickering of the light	Turn off the power and turn on again in 3 minutes. If same phenomena occur, then call agencies.
Out of working	Please check the connection.