

**GREENTEK ENERGY SYSTEMS, LLC**

www.greentekes.com



**P/N: GT-HCB2-120WNBCZA1a-cK**

Note:

GT= Company name

HCB2 = Product series

120W = Rating Power

N=Type of lamp cup, can be "F" for flexible type, "S" for short type, "L" for Long type.

B = LED manufacturer, Lumileds

C = Cover type, Clear cover

Z=Sensor type."blank"for none sensor,"MS"for DC Motion Microwave sensor, "PS"for DC Motion PIR sensor.

A1=Version number;

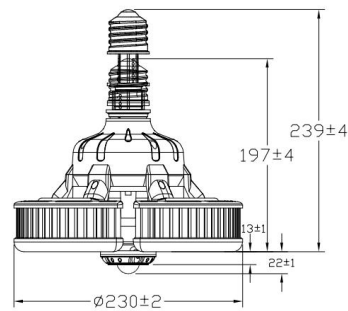
a=the lamp base type, can be "E" for E39, "EX" for EX39

cK= represents CCT, can be two digital, 30K=3000K,

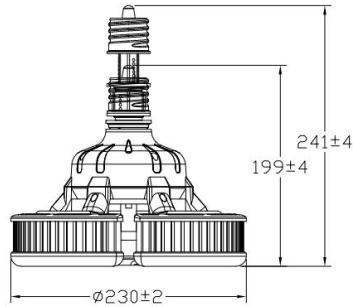
35K=3500K,40K=4000K, 45K=4500K, 50K=5000K,

57K=5700K, 65K=6500K

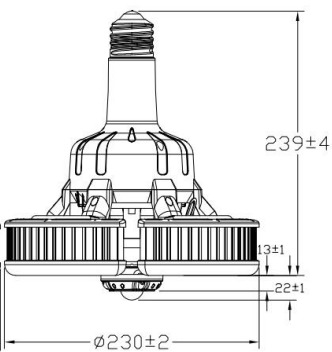
## DIMENSIONS



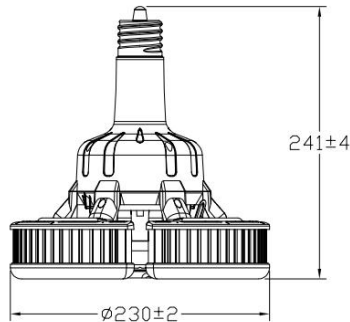
**E39 flexible type**



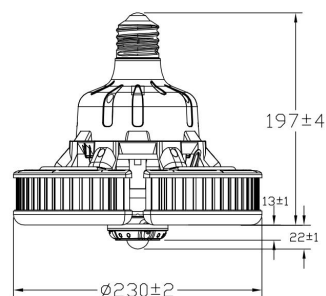
**EX39 flexible type**



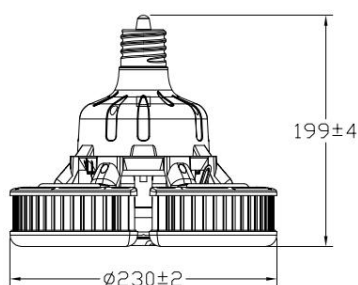
**E39 Long type**



**EX39 Long type**



**E39 short type**



**EX39 short type**

## ADVANTAGE

- UL DLC5.1(Standard) certificate.
- E39 EX39 lamp base.
- Big heat sink, NO fan.
- Internal driver, input voltage AC100-277V.
- Meet 4-6KV surge immunity level.
- Sealant pouring for whole driver and lamp plastic housing.
- Long lifespan and good heat dissipation.
- Direct replacement for Metal Halide, easy installation.
- Fits many different fixtures to replace traditional lamps.
- Lamp base optional, with retractable or fixed length, suitable for more applications.
- Motion sensor or PIR sensor optional.

## NOTICE FOR USER

- Please turn off power before install or change assembly parts.
- The input voltage and lamps should be matched, after connecting the power line, Please make sure the wiring section is insulated.
- Make sure to remove or bypass the ballast in the fixtures before install the lamps.
- Suitable for damp locations. Can be dimmable with sensor.
- No-professionals, must not install and disassemble the lamps.

## APPLICATION

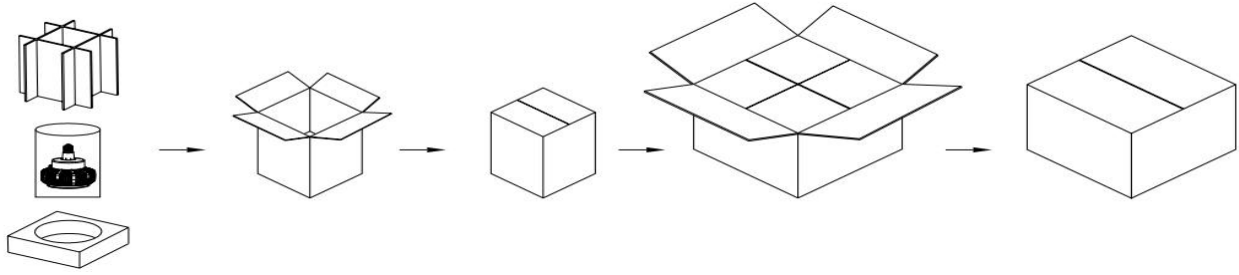
- Replacement Lamps for High Bay Luminaires (UL Type B)

## SPECIFICATIONS

<b>OPTICAL</b>	Input Power	120W						
	Color Temperature	3000K	3500K	4000K	4500K	5000K	5700K	6500K
	Lumen (Tolerance : -10%)- In Luminaires	15405lm	15592lm	15779lm	15939lm	16100lm	16260lm	16714lm
	Efficacy (Tolerance : -3%)- In Luminaires	128lm/W	129lm/W	131LM/W	132LM/W	133LM/W	135LM/W	138LM/W
	CRI	>80						
	Color Consistency	<6 Steps (or <6 SDCM)						
	Diffuser Type	Clear PC						
	Beam Angle (50%) (Tolerance : ±25%)	113 Degree						
<b>ELECTRICAL</b>	Input Voltage	100-277VAC 50/60Hz						
	PF (Tolerance : -3%)	≥0.9						
	THD (Tolerance : +5%)	≤20%						
	Flicker Percent	<5%						
	Driver Surge protection	L-N: 4-6kV						
	Dimmable	Yes						
	Equivalent	200W CFL, 400W MHL/HPS/HID						
<b>MATERIALS</b>	LED Brand	Lumileds						
	LED Type	SMD2835						
	LED QTY	375 PCS						
	Housing	PC + Aluminum						
	Housing Color	Any colour						
	Waterproof Rating	DAMP (IP64)						
<b>OTHERS</b>	Operating Temperature	-40°C TO 50°C						
	Operating Humidity	20%-70% RH						
	Storage Temperature	-40°C TO 80°C						
	Storage Humidity	10%-75% RH						
	Warranty Time	5 years						

## PACKAGE

	Size	Qty / Carton	Net Weight / Carton	Gross Weight / Carton
Inner box	265*265*245mm	1 PC	1.68KG	2.13 KG
Outer box	550*550*265MM	4 PCS	6.8KG	9.6 KG



## LIGHT DISTRIBUTION TESTING PARAMETERS

**Remark:**The testing data comes from the product in luminaires.

### Luminaire Property

Luminaire Manufacturer:  
Luminaire Category:  
Lamp Catalog:  
Number of Lamps:  
Luminous Length (mm):  
Luminous Height (mm):  
Current: 1.010 A  
Power Factor: 0.994

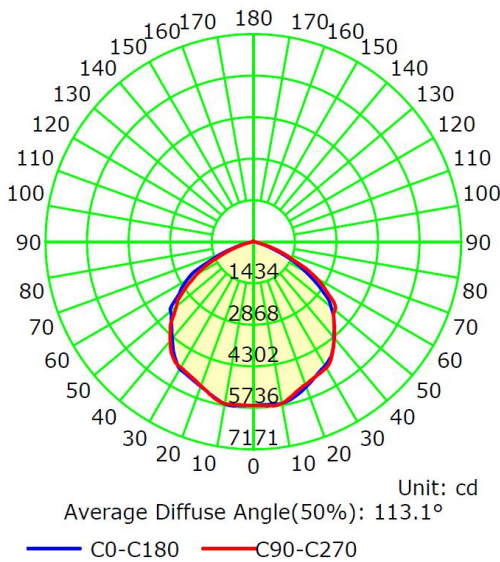
Luminaire Description:  
Lamp Description:  
Lumens per Lamp:  
Luminous Width (mm):  
Voltage: 120.0 V  
Power: 120.42 W

### Photometric Results

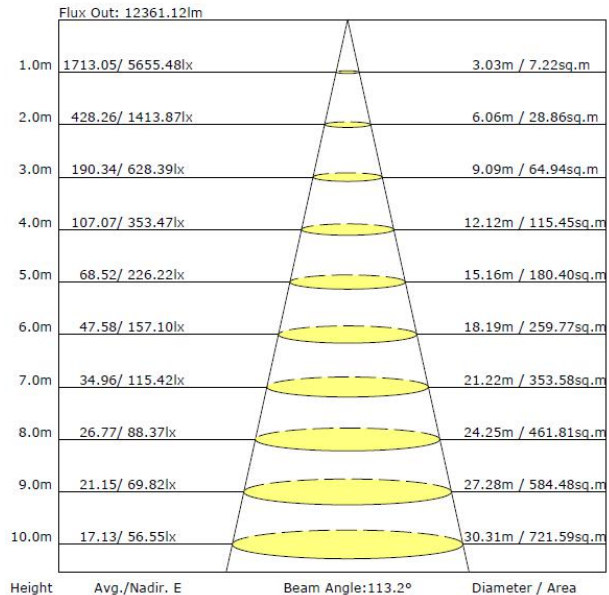
CIE Class: Direct  
Measurement Flux: 15404.9 lm  
Downward Ratio: 99%  
Field Angle(C0/C180,C90/C270,C45/C225,C135/315): 145.3, 145.4, 145.5, 146.1  
Beam Angle(C0/C180,C90/C270,C45/C225,C135/315): 113.2, 113.0, 113.4, 112.6  
Luminaire Efficacy Rating (LER): 127.98  
Max. Intensity: 5736.91 cd  
S/MH(C0/C180): 1.31

Total Rated Lamp Lumens: 15404.9 lm  
Efficiency: 100%  
Upward Ratio: 1%  
C0r0 Intensity: 5655.48 cd  
Pos of Max. Intensity: H225 V8  
S/MH(C90/C270): 1.33

Luminous Intensity Distribution Curve



The Average Illuminance Effective Figure



### TROUBLE SHOOTINGS

Troubles	Check points
Flickering of the light	Turn off the power and turn on again in 3 minutes. If same phenomena occur, then call agencies.
Out of working	Please check the connection.