



**GREENTEK ENERGY SYSTEMS, LLC**  
www.greentekes.com

P/N :GT-GS03-55WACGA1-abcde

Note:

GT= Company name

GS03 = Product series, LED Garden Light

55W = Rating Power

A= LED manufacturer, B=Lumileds 2835

CG = Diffuser type, CG=Clear Glass

A1 = Version number

a=Housing Color, BH = Black、WH=White、BR=Brown or Customized

b=M or blank represent Motionsensor or None Motionsensor

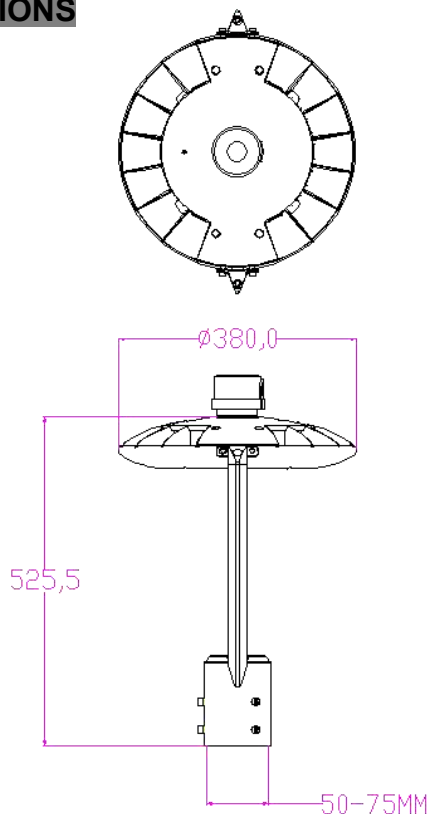
c= S or blank represent Surge protector or None Surge protector

d=P or blank represent Photocell or None Photocell

e = CCT, can be 3000K/4000K/5000K



## DIMENSIONS



## ADVANTAGE

- UL DLC-V5.1(Premium) certificate.
- IP65 driver, input voltage 100-277VAC.
- No UV or IR in the beam.
- Easy to install and operate.
- Energy saving, long lifespan.
- Light is soft and uniform, safe to eyes.
- Instant start, NO humming.
- Green and eco-friendly without mercury.
- Color-Tunable, can be adjusted the CCT to 3000K, 4000K and 5000K.

## APPLICATION

- City Slow Lane、Narrow Lane.
- Residential Area, Plaza.
- Sightseeing Area, Village Road and so on.

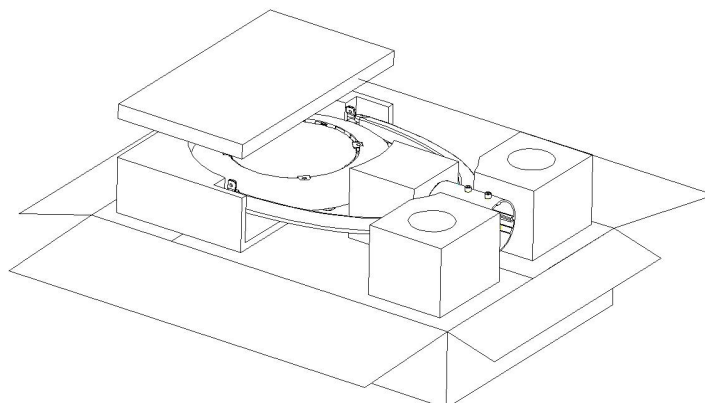
## SPECIFICATIONS

<b>OPTICAL</b>	Input Power (Tolerance : ±10%)	55W		
	Color Temperature (Color tunable)	3000K	4000K	5000K
	Lumen (Tolerance : -10%)	6640LM	7180LM	6950LM
	Efficacy (Tolerance : -3%)	124 LM/W	139 LM/W	130 LM/W
	CRI	>80		
	Color Consistency	<7 SDCM		
	BUG	B2-U2-G1		
	Diffuser Type	Clear Glass		
	Beam Angle (50%) (Tolerance : ±15%)	115 Degree		
<b>ELECTRICAL</b>	Input Voltage and Frequency	Without Motion Sensor: 100-277VAC, 50/60Hz; With Motion Sensor: 120-277VAC, 50/60Hz		
	PF (Tolerance : -3%)	≥0.9		
	THD (Tolerance : +5%)	≤20%		
	Flicker Percent	<60%		
	Driver Brand	Daermay		
	Driver Model	DY001-ID060-42		
	Driver Surge protection	1.5kV		
	Dimming	1-10V dimming standard		
	Optional Accessory	Photocontrol, Surge-protective Device, Motion Sensor		
<b>MATERIALS</b>	LED Brand	Lumileds		
	LED Type	SMD2835 (0.5W)		
	LED QTY	3000K 154PCS 5000K 154PCS		
	Housing	Die-cast aluminum		
	Housing Color	Brown, Black, or Customized		
	EPA	1.5 ft <sup>2</sup>		
	Waterproof Rating	WET (IP65)		
<b>OTHERS</b>	Operating Temperature	Without Motion Sensor: -40°C TO 50°C; With Motion Sensor: -35°C TO 50°C		
	Storage Temperature	-40°C TO 85°C		
	Operating Humidity	20% - 90% RH		
	Storage Humidity	20% - 90% RH		
	Warranty	5 years		

## PACKAGE

	Size	Qty / Carton	Net Weight / Carton	Gross Weight / Carton
Outer box	730*515*180MM	1 PCS	4.5 KG	5.6 KG

Tolerance of Carton Size: ±15 MM, Tolerance of Weight: ±10%.



## LIGHT DISTRIBUTION TESTING PARAMETERS

### Luminaire Property

Luminaire Manufacturer:  
 Luminaire Category:  
 Lamp Catalog:  
 Number of Lamps:  
 Luminous Length (mm):  
 Luminous Height (mm):  
 Current: 0.453 A  
 Power Factor: 0.985

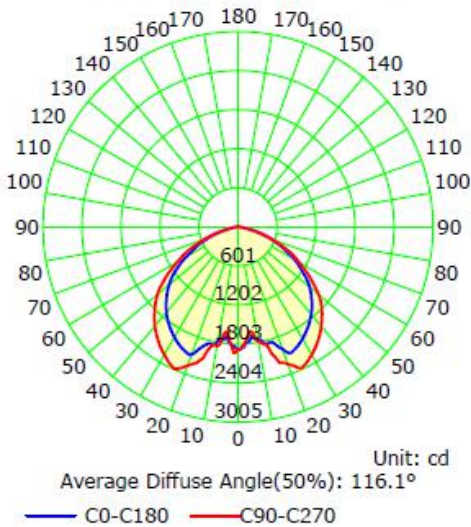
Luminaire Description:  
 Lamp Description:  
 Lumens per Lamp:  
 Luminous Width (mm):  
 Voltage: 120.0 V  
 Power: 53.53 W

### Photometric Results

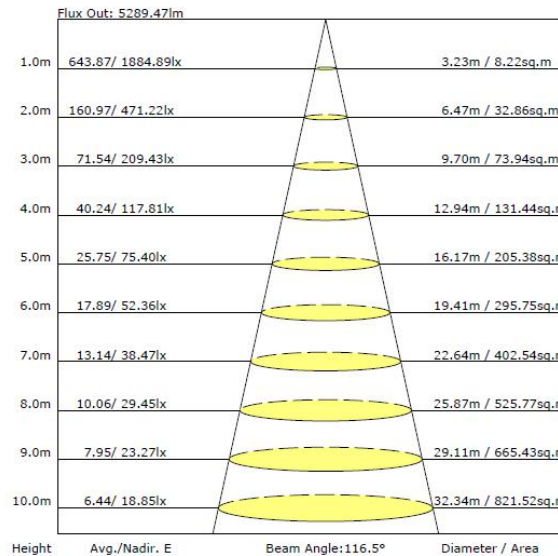
IES Classification: Type II  
 Total Rated Lamp Lumens: 6638.9 lm  
 Efficiency: 100%  
 Upward Ratio: 1%  
 C0r0 Intensity: 1884.89 cd  
 Pos of Max. Intensity: H247.5 V24

Longitudinal Classification: Very Short  
 Measurement Flux: 6638.9 lm  
 Downward Ratio: 99%  
 Luminaire Efficacy Rating (LER): 124.1  
 Max. Intensity: 2404.67 cd

Luminous Intensity Distribution Curve



The Average Illuminance Effective Figure



### NOTICE FOR USER

- Please turn off power before install or change assembly parts.
- The input voltage and lamps should be matched, after connecting the power line, Please make sure the wiring section is insulated.
- No-professionals, must not install and disassemble the lamps.

### TROUBLE SHOOTINGS

Troubles	Check points
Flickering of the light	Turn off the power and turn on again in 3 minutes. If same phenomena occur, then call agencies.
Out of working	Please check the connection.