



GREENTEK ENERGY SYSTEMS, LLC

www.GreentekEnergySystems.com



P/N :GT-GS02B-35WACGA1-abcde

Note:

GT= Company name

GS02B = Product series, LED Garden Light

35W = Rating Power

A= LED manufacturer, A=Lumileds 2835

CG = Diffuser type, CG=Clear Glass

A1 = Version number

a=Housing Color, BH = Black、WH=White、BR=Brown or Customized

b=MS or blank

represent Motionsensor or None Motionsensor

c= S or blank

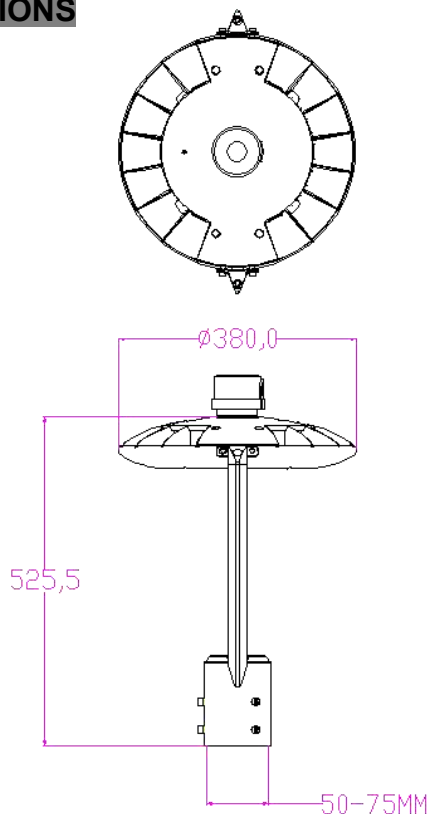
represent Surge protector or None Surge protector

d=P or blank

represent Photocell or None Photocell

e = CCT, can be 3000K/4000K/5000K

DIMENSIONS



ADVANTAGE

- UL cUL DLC certificate.
- IP65 driver, input voltage 100-277VAC.
- No UV or IR in the beam.
- Easy to install and operate.
- Energy saving, long lifespan.
- Light is soft and uniform, safe to eyes.
- Instant start, NO flickering, NO humming.
- Green and eco-friendly without mercury.
- Color-Tunable, can be adjusted the CCT to 3000K, 4000K and 5000K.

APPLICATION

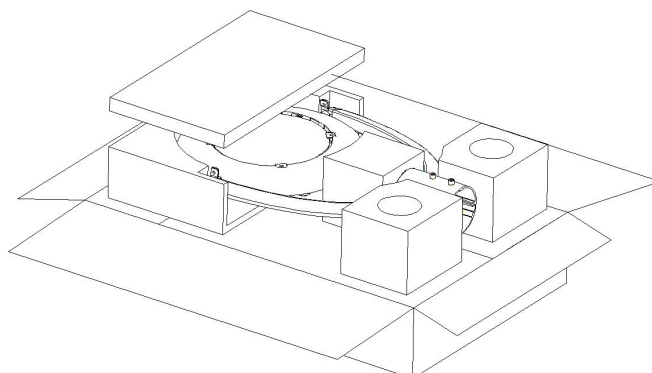
- ◆ City Slow Lane、Narrow Lane,
- ◆ Residential Area, Plaza,
- ◆ Sightseeing Area, Village Road and so on.

SPECIFICATIONS

OPTICAL	Input Power	35W
	Lumen	4060 -4830LM
	Lumen Efficacy	116-138 LM/W
	Color Temperature	3000K/4000K/5000K
	CRI	>80
	Viewing Angle	120Degree
ELECTRICAL	Input Voltage	100-277VAC 50/60Hz
	PF	≥0.9
	THD	≤20%
	Driver Model	China Brand Driver
	Dimming	1-10V
MATERIALS	LED Type	SMD2835 (0.5W)
	LED QTY	112 PCS 3000K + 112PCS 5000K
	Housing	Aluminum Alloy
	Housing Color	Black、White、Brown or Customized
	Cover	Clear Glass
	Waterproof Rating	WET (IP65)
OTHERS	Operating Temperature	-20℃ TO 50℃
	Operating Humidity	20%-90% RH
	Storage Temperature	-30℃ TO 80℃
	Storage Humidity	10%-95% RH
	Warranty Time	5 Years

PACKAGE

	Size	Qty / Carton	Net Weight / Carton	Gross Weight / Carton
Outer box	730*515*180MM	1 PCS	4.3 KG	5.4KG



Luminaire Property

Luminaire Manufacturer:
Voltage: 120.0 V
Power: 31.78 W

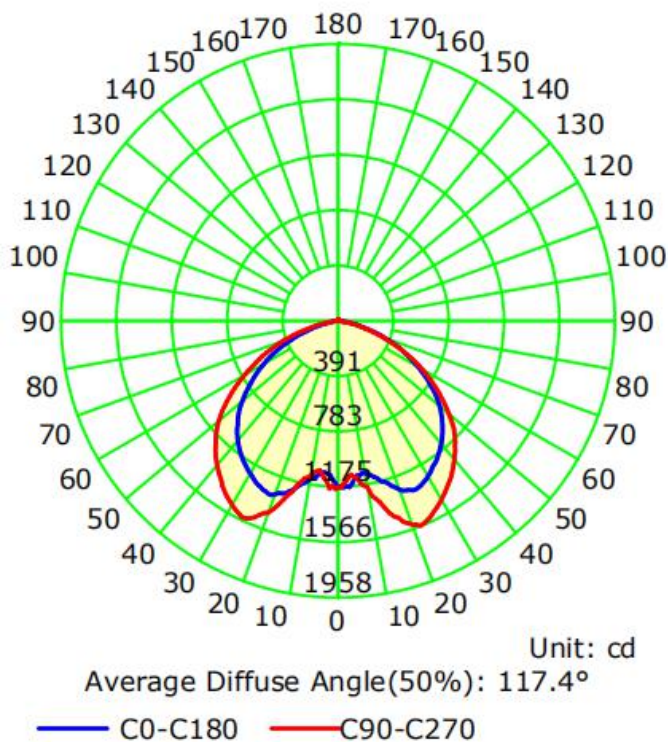
Current: 0.2675 A
Power Factor: 0.990

Photometric Results

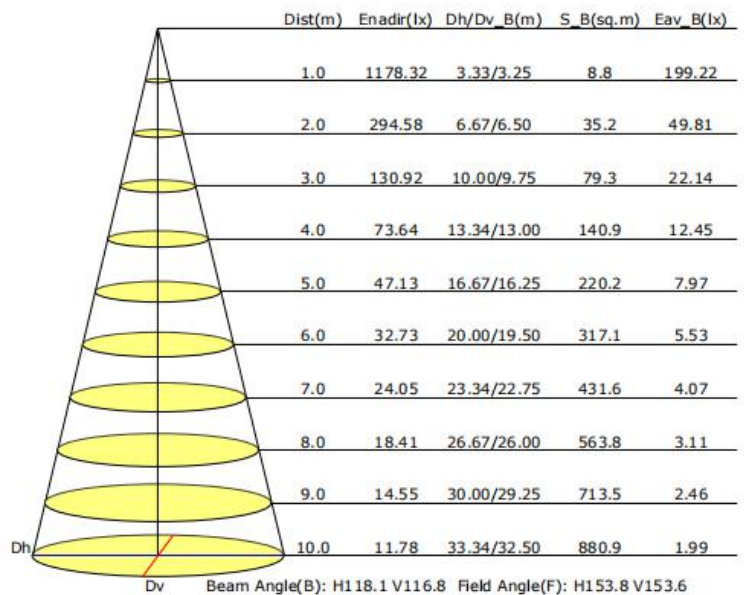
IES Classification: Type II
Total Rated Lamp Lumens: 4342.4 lm
Efficiency: 100%
Upward Ratio: 1%
Central Intensity: 1178.32 cd
Pos of Max. Intensity: H112.5 V22

Longitudinal Classification: Very Short
Measurement Flux: 4342.4 lm
Downward Ratio: 99%
Luminaire Efficacy Rating (LER): 136.64
Max. Intensity: 1566.97 cd

Luminous Intensity Distribution Curve



Illuminance at a Distance



NOTICE FOR USER

- Please turn off power before install or change assembly parts.
- The input voltage and lamps should be matched, after connecting the power line, Please make sure the wiring section is insulated.
- No-professionals, must not install and disassemble the lamps.

TROUBLE SHOOTINGS

Troubles	Check points
Flickering of the light	Turn off the power and turn on again in 3 minutes. If same phenomena occur, then call agencies.
Out of working	Please check the connection.