



GREENTEK ENERGY SYSTEMS, LLC
www.greentekes.com

P/N:GT-GS02-150WSBT2A1-abc[MS;Bl
ank]e-1

Note:

a=housing color;

b= can be any letters for Photocontrol type provided or blank for none;

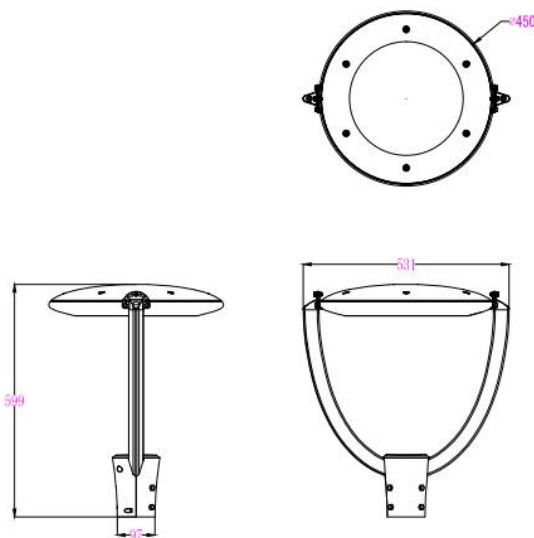
c=can be any letter for Surge protector provided or blank for none;

[MS;Blank]="MS" for motion sensor provided or blank for None ;

e=CCT,such as 30=3000k, 35=3500K,40=4000K, 45=4500K, 50=5000K, 57=5700K



DIMENSIONS



ADVANTAGE

- UL DLC-V5.1(Premium) certificate.
- IP65 driver, input voltage 100-277VAC.
- Adjustable angle.
- No UV or IR in the beam.
- Easy to install and operate.
- Energy saving, long lifespan.
- Light is soft and uniform, safe to eyes.
- Instant start, NO flickering, NO humming.
- Green and eco-friendly without mercury.

APPLICATION

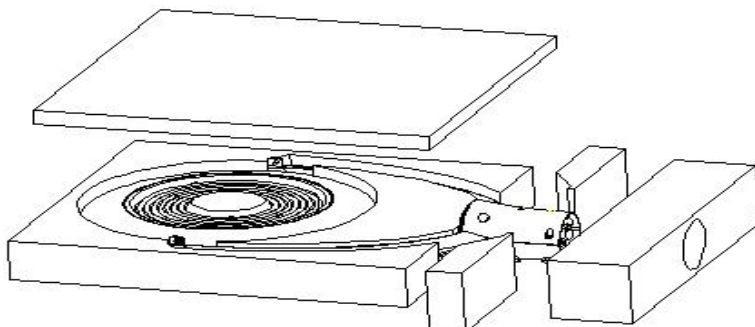
- ◆ City Slow Lane、Narrow Lane,
- ◆ Residential Area, Plaza,
- ◆ Sightseeing Area, Village Road and so on.

SPECIFICATIONS

OPTICAL	Input Power	150W
	Lumen	18750-20250LM
	Lumen Efficacy	125-135 LM/W
	Color Temperature	3000K、 3500K、 4000K、 4500K、 5000K、 5700K
	CRI	>80
	Viewing Angle	90Degree
ELECTRICAL	Input Voltage	100-277VAC 50/60Hz
	PF	≥0.9
	THD	≤20%
	Driver Model	SS-150VA-56B
MATERIALS	LED Type	SMD2835 (0.5W)
	LED QTY	510 PCS
	Housing	Aluminum Alloy
	Housing Color	Black、 White、 Brown、 or Customized
	Cover	PC lens
	Waterproof Rating	WET (IP65)
OTHERS	Operating Temperature	-40℃ TO 45℃
	Operating Humidity	10%-90% RH
	Storage Temperature	-40℃ TO 85℃
	Storage Humidity	10%-95% RH
	Warranty Time	5 Years
	Dimmable	1-10V

PACKAGE

	Size	Qty / Carton	Net Weight / Carton	Gross Weight / Carton
Outer box	835 x 585 x155 mm	1 PCS	6.5 KG	8.5 KG



LIGHT DISTRIBUTION TESTING PARAMETERS

Luminaire Property

Luminaire Manufacturer:

Voltage: 119.6 V

Power: 151.86 W

Current: 1.271 A

Power Factor: 0.998

Photometric Results

IES Classification: Type II

Total Rated Lamp Lumens: 19764.0 lm

Efficiency: 100%

Upward Ratio: 1%

Central Intensity: 8108.66 cd

Pos of Max. Intensity: H247.5 V26

Longitudinal Classification: Very Short

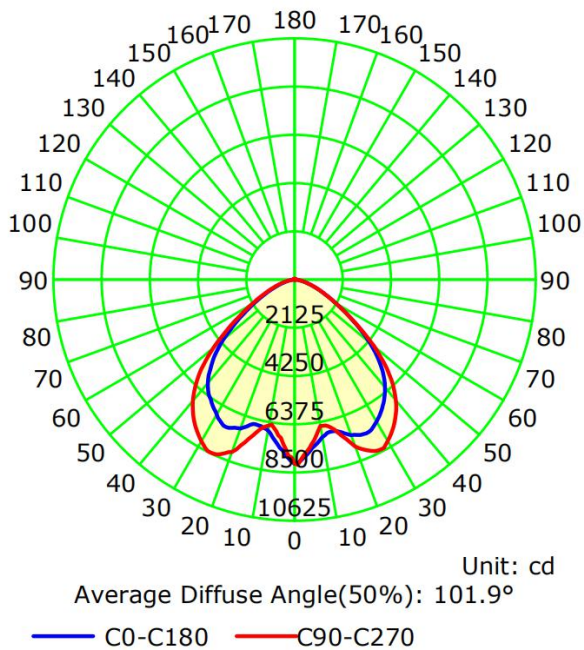
Measurement Flux: 19764 lm

Downward Ratio: 99%

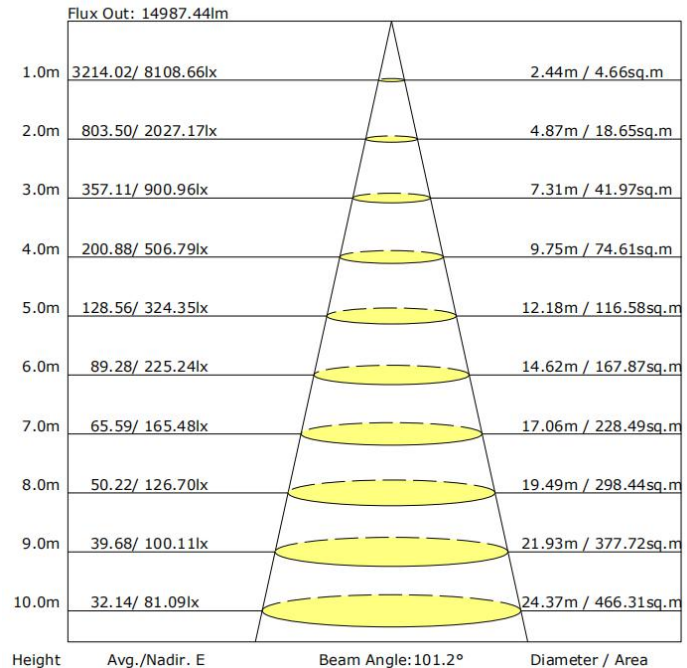
Luminaire Efficacy Rating (LER): 130.20

Max. Intensity: 8500.71 cd

Luminous Intensity Distribution Curve



The Average Illuminance Effective Figure



NOTICE FOR USER

- Please turn off power before install or change assembly parts.
- The input voltage and lamps should be matched, after connecting the power line, Please make sure the wiring section is insulated.
- No-professionals, must not install and disassemble the lamps.

TROUBLE SHOOTINGS

Troubles	Check points
Flickering of the light	Turn off the power and turn on again in 3 minutes. If same phenomena occur, then call agencies.
Out of working	Please check the connection.