

GREENTEK ENERGY SYSTEMS, LLC
www.GreentekEnergySystems.com



P/N: GT-GN-35WBT8A1-abcde

Note:

The letter “a” can be any two letters for housing color;

The letter “b” could be “15”, “18”, “24”, or “30” for Arm type;

The letter “c” can be “P” or blank for photocontrol provided or not;

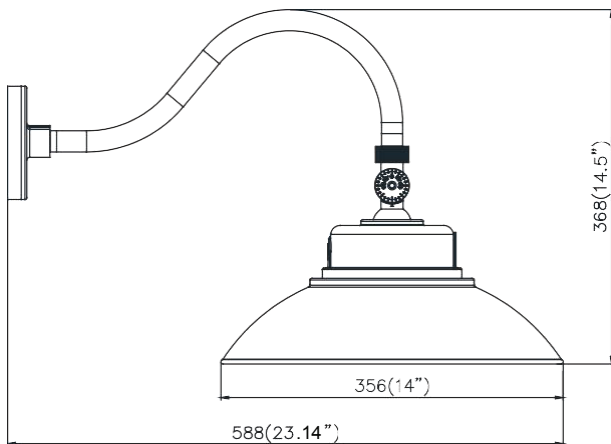
The letter “d” can be “RD” “SL” represent round shade and slope shade;

The letter “e” can be any digits for CCT.

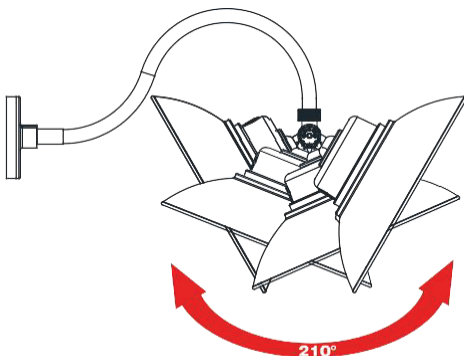
Advantage :

- UL, cUL, DLC5.1 premium certificate.
- Lumileds Chip, high CRI
- IP65 driver, input voltage 120-277VAC
- Die casting aluminum gasketed enclosure, lasting appearance and excellent heat dissipation
- Swivel Knuckle can make adjustable angel to 210°
- Finish Color: White/Black/Bronze
- Can be wall mounted with integral bracket
- Suitable for Wet locations
- No dimmable
- With light-controlled inductor

DIMENSIONS



Product Features



Application :

- ◆ lighting in backyards ;
- ◆ building walls ;
- ◆ restaurants and security areas

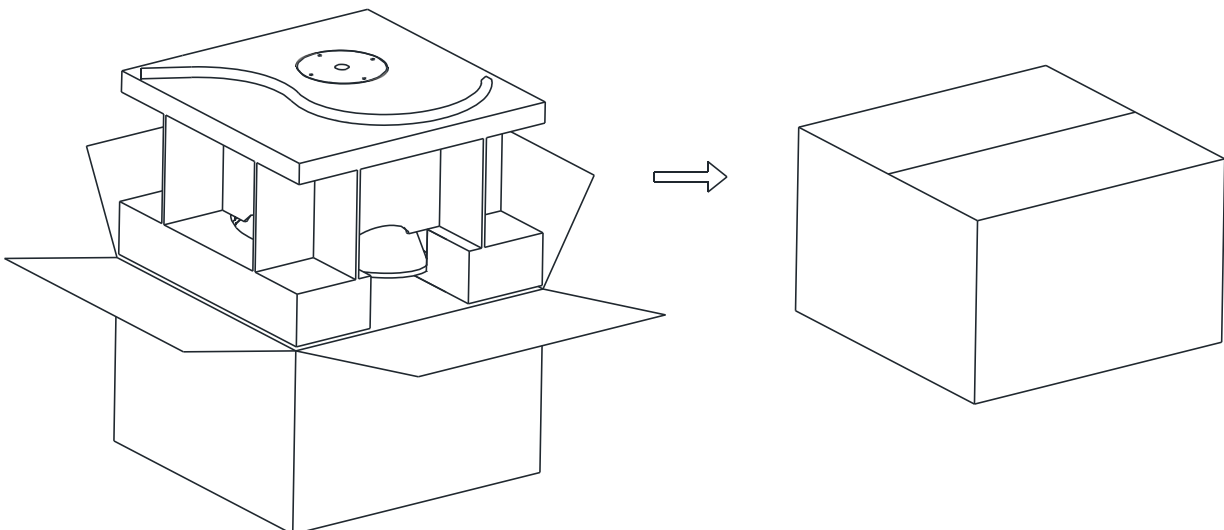
Swivel Knuckle to make adjustable angel to 210°

SPECIFICATIONS

OPTICAL	Input Power	35 W
	Lumen	4200 - 4550 LM
	Lumen Efficacy	120-130 LM/W
	Color Temperature	3000K,3500K,4000K,4500K,5000K,5700K
	CRI	>80
	Viewing Angle	101*101 Degree
ELECTRICAL	Input Voltage	120-277VAC 50/60Hz
	PF	≥0.9
	THD	≤20%
	Driver Model	HB-LPG035-52
	Optional Accessory	Photocell / Mounting bracket
MATERIALS	LED Brand	Lumileds
	LED Type	2835
	LED QTY	112 PCS
	Housing	Aluminum Alloy
	Housing Color	Black / Brown/white/Customized
	Waterproof Rating	WET (IP65)
OTHERS	Operating Temperature	-40℃ TO 50℃
	Operating Humidity	10%-90% RH
	Storage Temperature	-40℃ TO 80℃
	Storage Humidity	10%-95% RH
	Warranty Time	5 Years

PACKAGE

Stent Type	Lamps Net Weight	Size	Qty/ Carton	Weight/ Carton
14"	1.7Kg	472*395*355mm	1	3.1Kg



LIGHT DISTRIBUTION TESTING PARAMETERS

Luminaire Property

Luminaire Manufacturer:

Voltage: 120.0 V

Power: 33.85 W

Current: 0.284 A

Power Factor: 0.992

Photometric Results

IES Classification: Type II

Total Rated Lamp Lumens: 4152.9 lm

Efficiency: 100%

Upward Ratio: 0%

Central Intensity: 1806.85 cd

Pos of Max. Intensity: H247.5 V4

Longitudinal Classification: Very Short

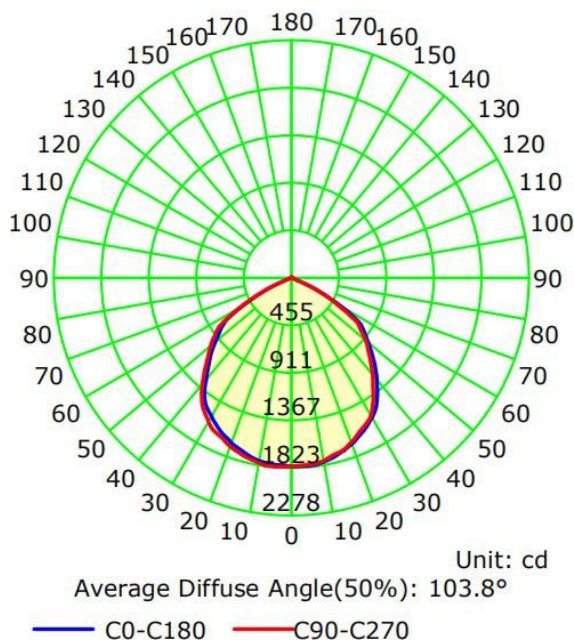
Measurement Flux: 4152.9 lm

Downward Ratio: 100%

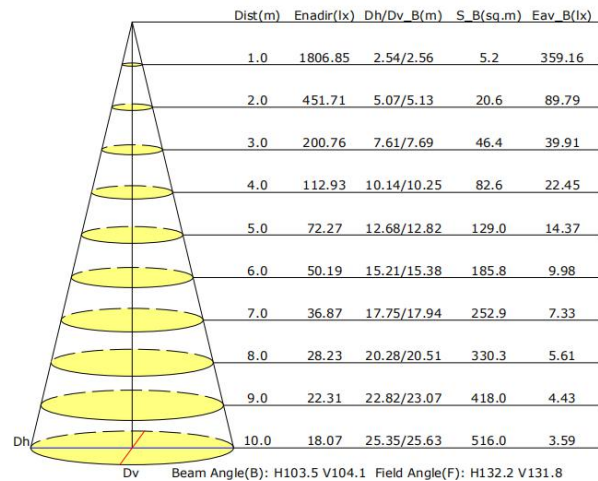
Luminaire Efficacy Rating (LER): 122.74

Max. Intensity: 1823.07 cd

Luminous Intensity Distribution Curve



Illuminance at a Distance



NOTICE FOR USER

- Please turn off power before install or change assembly parts.
- The input voltage and lamps should be matched, after connecting the power line, Please make sure the wiring section is insulated.
- No-professionals, must not install and disassemble the lamps.

TROUBLE SHOOTINGS

Troubles	Check points
Flickering of the light	Turn off the power and turn on again in 3 minutes. If same phenomena occur, then call agencies.
Out of working	Please check the connection.