

**GREENTEK ENERGY SYSTEMS, LLC**  
[www.GreentekEnergySystems.com](http://www.GreentekEnergySystems.com)



**P/N: GT-GN-20WBT8A1-abcde**

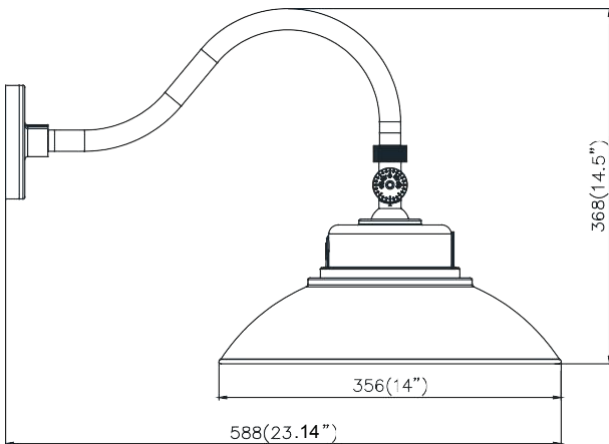
**Note:**

- The letter “a” can be any two letters for housing color;
- The letter “b” could be “15”, “18”, “24”, or “30” for Arm type;
- The letter “c” can be “P” or blank for photocontrol provided or not;
- The letter “d” can be “RD” “SL” represent round shade and slope shade;
- The letter “e” can be any digits for CCT.

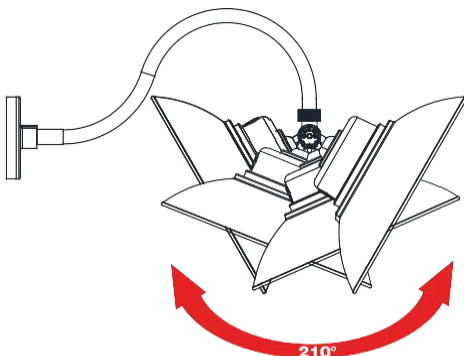
**Advantage :**

- UL, cUL, DLC5.1 premium certificate.
- Lumileds Chip, high CRI
- IP65 driver, input voltage 120-277VAC
- Die casting aluminum gasketed enclosure, lasting appearance and excellent heat dissipation
- Swivel Knuckle can make adjustable angel to 210°
- Finish Color: White/Black/Bronze
- Can be wall mounted with integral bracket
- Suitable for Wet locations
- No dimmable
- With light-controlled inductor

**DIMENSIONS**



**Product Features**



Swivel Knuckle to make adjustable angel to 210°

**Application :**

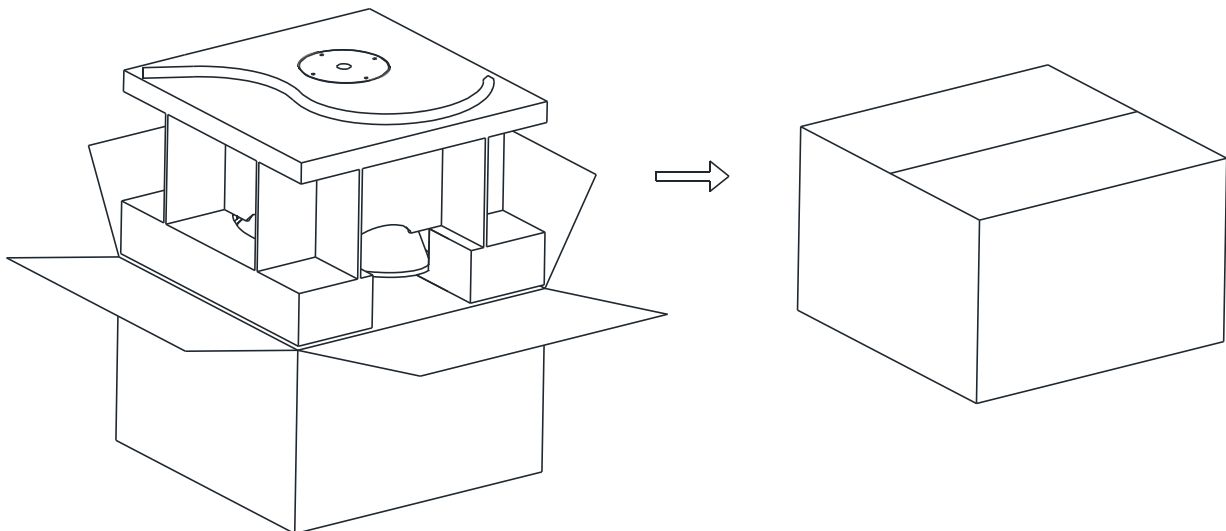
- ◆ lighting in backyards ;
- ◆ building walls ;
- ◆ restaurants and security areas

## SPECIFICATIONS

<b>OPTICAL</b>	Input Power	20 W
	Lumen	2400 - 2600 LM
	Lumen Efficacy	120-130 LM/W
	Color Temperature	3000K,3500K,4000K,4500K,5000K,5700K
	CRI	>80
	Viewing Angle	101*101 Degree
<b>ELECTRICAL</b>	Input Voltage	120-277VAC 50/60Hz
	PF	≥0.9
	THD	≤20%
	Driver Model	China Brand Driver
	Optional Accessory	Photocell / Mounting bracket
<b>MATERIALS</b>	LED Brand	Lumileds
	LED Type	2835
	LED QTY	75 PCS
	Housing	Aluminum Alloy
	Housing Color	Black / Brown/white/Customized
	Waterproof Rating	WET (IP65)
<b>OTHERS</b>	Operating Temperature	-40℃ TO 50℃
	Operating Humidity	10%-90% RH
	Storage Temperature	-40℃ TO 80℃
	Storage Humidity	10%-95% RH
	Warranty Time	5 Years

## PACKAGE

Stent Type	Lamps Net Weight	Size	Qty/ Carton	Weight/ Carton
14"	1.7Kg	472*395*355mm	1	3.1Kg



## LIGHT DISTRIBUTION TESTING PARAMETERS

### Luminaire Property

Luminaire Manufacturer:

Voltage: 119.9 V

Power: 19.17 W

Current: 0.161 A

Power Factor: 0.994

### Photometric Results

IES Classification: Type II

Total Rated Lamp Lumens: 2294.7 lm

Efficiency: 100%

Upward Ratio: 1%

Central Intensity: 1058.34 cd

Pos of Max. Intensity: H45 V4

Longitudinal Classification: Very Short

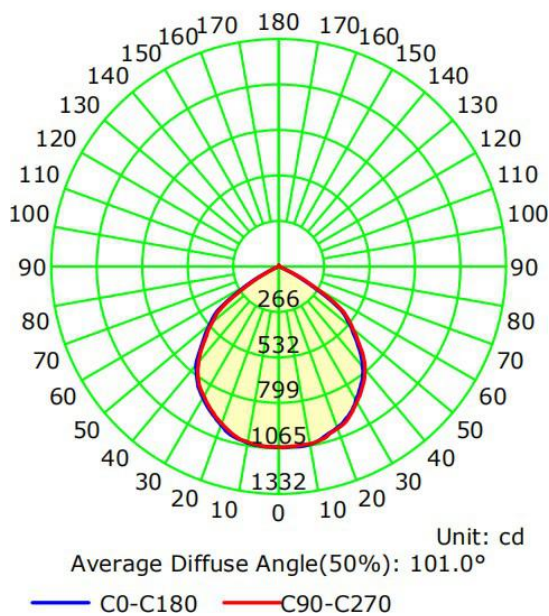
Measurement Flux: 2294.7 lm

Downward Ratio: 99%

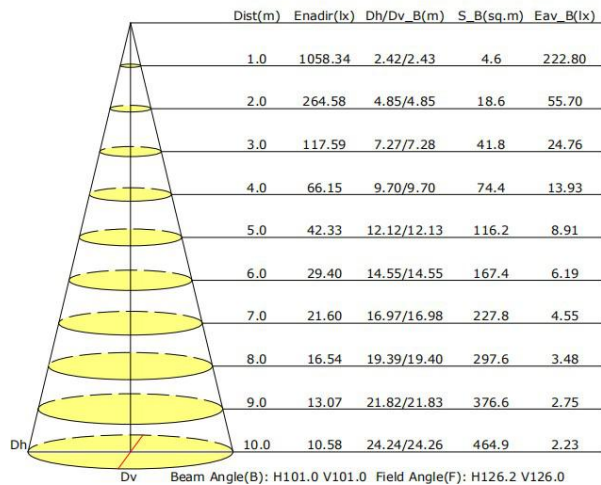
Luminaire Efficacy Rating (LER): 119.75

Max. Intensity: 1065.8 cd

Luminous Intensity Distribution Curve



Illuminance at a Distance



### NOTICE FOR USER

- Please turn off power before install or change assembly parts.
- The input voltage and lamps should be matched, after connecting the power line, Please make sure the wiring section is insulated.
- No-professionals, must not install and disassemble the lamps.

### TROUBLE SHOOTINGS

Troubles	Check points
Flickering of the light	Turn off the power and turn on again in 3 minutes. If same phenomena occur, then call agencies.
Out of working	Please check the connection.