



GREENTEK ENERGY SYSTEMS, LLC
www.greentekes.com

P/N: GT-FL3-55W-LBGCC-abd-S

Note:

GT= Company name;

FL3 = Product series, LED Flood Light;

55W = Rating Power;

B=Lumileds;

GC=Clear glass;

“c” can be “P” for DC photocontrol or blank for no DC photocontrol provided;

“a” can be any two letters for lamp colors;

“b” can be “AM”, “FM”, “YM” for Mounting Means;

“d” can be any numbers for CCT.30K=3000K, 35K=3500K,40K=4000K,45K=4500K,50K=5000K, 57K=5700K,65K=6500K;

S=Single color temperature;



AM



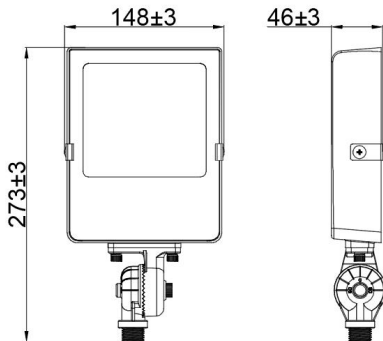
YM



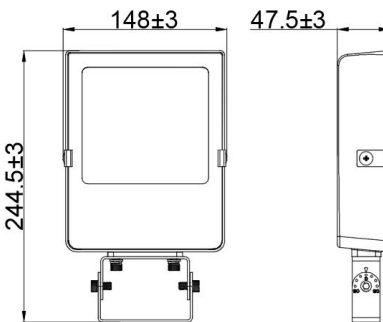
FM

DIMENSIONS

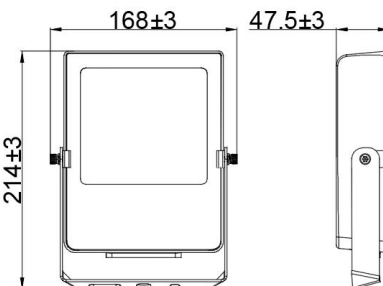
AM



YM



FM



ADVANTAGE

- UL DLC-V5.1(Premium) certificate.
- Input voltage 120-277VAC
- No UV or IR in the beam.
- Easy to install and operate.
- Energy saving, long lifespan.
- Light is soft and uniform, safe to eyes.
- Instant start, NO flickering, NO humming.
- Green and eco-friendly without mercury.

APPLICATION

- Outdoor basketball court, tennis court.
- Badminton court, the football field.
- The school playground, stadium.
- Community leisure entertainment plaza,
- Warehouse, factory and workshops;
- Highway toll station;
- Meeting room, exhibition hall;
- Gymnasium and supermarkets, etc. plaza,

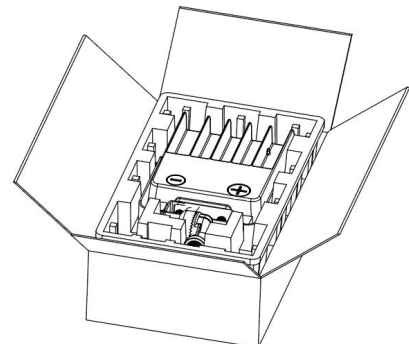
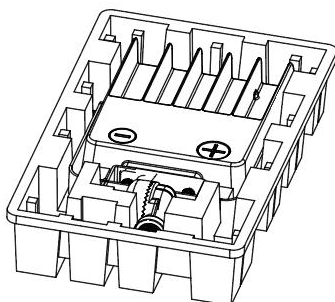
SPECIFICATIONS

OPTICAL	Input Power (Tolerance : ±10%)	55W						
	Color Temperature	3000K	3500K	4000K	45000K	5000K	5700K	6500K
	Lumen (Tolerance : -10%) LM	6495.6	6518.7	6541.9	6561.7	6581.5	6601.3	6657.3
	Efficacy (Tolerance : -3%) LM/W	122.6	123.9	124.3	124.7	125.1	125.5	127.4
	CRI	>80						
	Color Consistency	<6 Steps (or <6 SDCM)						
	Distribution Pattern	Clear Glass						
	Beam Angle (50%) (Tolerance : ±15%)	110 Degree						
ELECTRICAL	Input Voltage and Frequency	120-277VAC 50/60Hz						
	PF (Tolerance : -3%)	≥0.9						
	THD (Tolerance : +5%)	≤20%						
	Flicker Percent	<70%						
	Driver Brand	HBE						
	Driver Model	HB-FL14-055G-52						
	Driver Surge protection	L/N-PE: 2.5kV, L-N: 2.5kV						
	Dimming	0-10V dimming standard						
	Sensor Type	Daylight Sensor						
	Optional Accessory	DC Photocontrol						
MATERIALS	LED Brand	Lumileds						
	LED Type	SMD2835						
	LED QTY	154 PCS						
	Housing	Die-cast aluminum						
	Housing Color	Brown, Black, or Customized						
	EPA	0.42 ft ²						
	Waterproof Rating	WET (IP65)						
OTHERS	Operating Temperature	-40°C TO 50°C						
	Storage Temperature	-40°C TO 80°C						
	Operating Humidity	20% - 90% RH						
	Storage Humidity	20% - 90% RH						
	Warranty	5 years						

PACKAGE

Bracket Type	Carton Size		Qty / Carton	Net Weight / Carton	Gross Weight / Carton
AM、YM、FM	Outer box	433*345*358mm	10pcs	13.1Kg	16.3Kg
	Inner box	208*65*338mm	1pcs	1.31Kg	1.54Kg

Tolerance of Carton Size: ±15 MM, Tolerance of Weight: ±10%.



LIGHT DISTRIBUTION TESTING PARAMETERS

Luminaire Property

Luminaire Manufacturer:
 Luminaire Category:
 Lamp Catalog:
 Number of Lamps:
 Luminous Length (mm):
 Luminous Height (mm):
 Current: 0.448 A
 Power Factor: 0.985

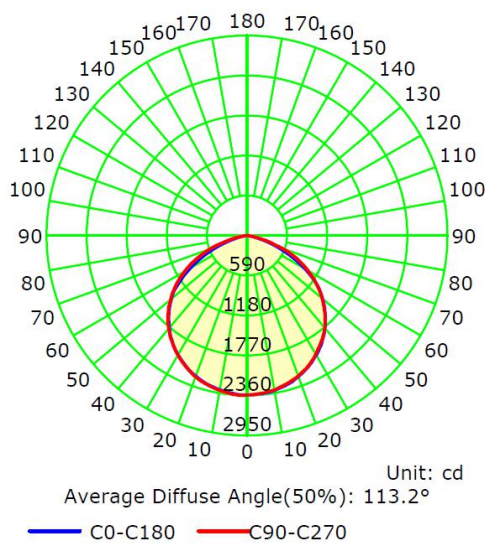
Luminaire Description:
 Lamp Description:
 Lumens per Lamp:
 Luminous Width (mm):
 Voltage: 120.0 V
 Power: 52.96 W

Photometric Results

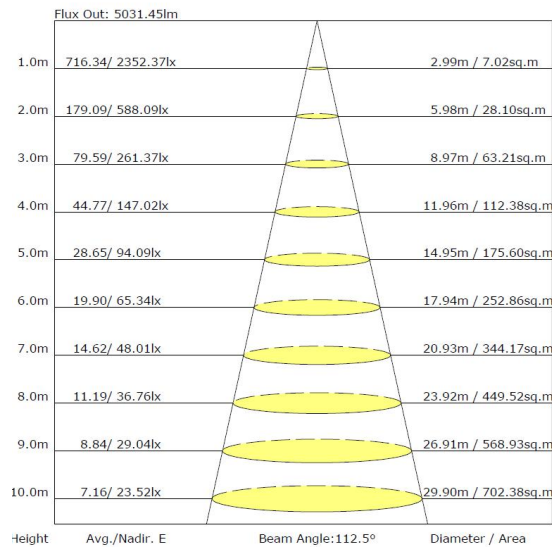
IES Classification: Type II
 Total Rated Lamp Lumens: 6495.6 lm
 Efficiency: 100%
 Upward Ratio: 0%
 C0r0 Intensity: 2352.37 cd
 Pos of Max. Intensity: H270 V1

Longitudinal Classification: Very Short
 Measurement Flux: 6495.6 lm
 Downward Ratio: 100%
 Luminaire Efficacy Rating (LER): 122.70
 Max. Intensity: 2360.01 cd

Luminous Intensity Distribution Curve



The Average Illuminance Effective Figure



NOTICE FOR USER

- Please turn off power before install or change assembly parts.
- The input voltage and lamps should be matched, after connecting the power line, Please make sure the wiring section is insulated.
- No-professionals, must not install and disassemble the lamps.

TROUBLE SHOOTINGS

Troubles	Check points
Flickering of the light	Turn off the power and turn on again in 3 minutes. If same phenomena occur, then call agencies.
Out of working	Please check the connection.