



GREENTEK ENERGY SYSTEMS, LLC
www.greentekes.com

P/N: GT-FL3-100W-LBGCC-abd-S

Note:

GT= Company name;

FL3 = Product series, LED Flood Light;

100W = Rating Power;

L=AC120-277V driver;

B=Lumileds;

GC=Clear Glass;

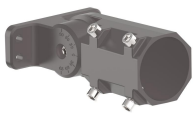
“c” can be any letters for photocell or blank for no photocontrol provided;

“a” can be any two letters for lamp colors, such as BR=Bronze, BH=Black;

“b” can be any alphanumeric letters for Mounting Means;

“d” can be “XXK” for CCT, such as 40K=4000K, 57K=5700K

S=Single color temperature;



AM



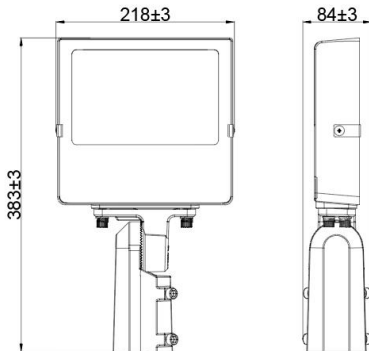
YM



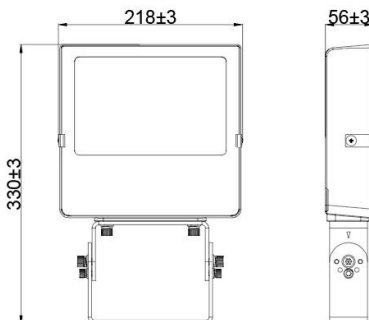
FM

DIMENSIONS

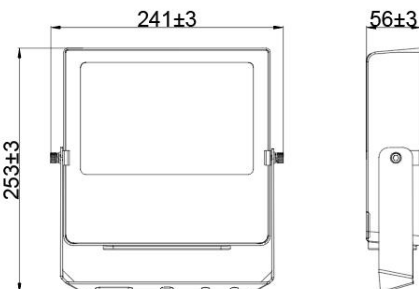
AM



YM



FM



ADVANTAGE

- UL DLC-V5.1(Premium) certificate.
- IP65 driver, input voltage 120-277VAC
- No UV or IR in the beam.
- Easy to install and operate.
- Energy saving, long lifespan.
- Light is soft and uniform, safe to eyes.
- Instant start, NO flickering, NO humming.
- Green and eco-friendly without mercury.

APPLICATION

- Outdoor basketball court, tennis court.
- Badminton court, the football field.
- The school playground, stadium.
- Community leisure entertainment plaza,
- Warehouse, factory and workshops;
- Highway toll station;
- Meeting room, exhibition hall;
- Gymnasium and supermarkets, etc. plaza,
- Warehouse, factory and workshops;
- Highway toll station;
- Meeting room, exhibition hall;
- Gymnasium and supermarkets, etc.

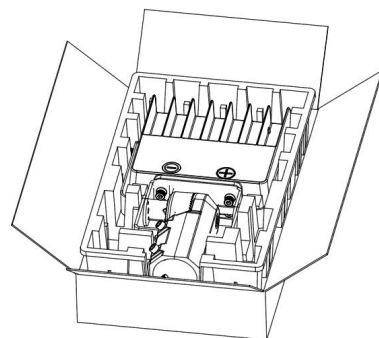
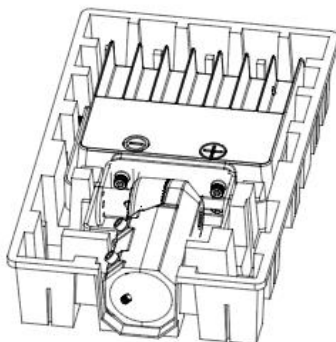
SPECIFICATIONS

OPTICAL	Input Power (Tolerance : ±10%)	100W			
	Color Temperature	3000K	4000K	5000K	5700K
	Lumen (Tolerance : -10%)LM	13291	13364	13427	13457
	Efficacy (Tolerance : -3%)LM/W	129.7	130.8	131.4	131.7
	CRI	>80			
	Color Consistency	<6 Steps (or <6 SDCM)			
	Distribution Pattern	Clear Tempered Glass			
	Beam Angle (50%) (Tolerance : ±15%)	110 Degree			
ELECTRICAL	Input Voltage and Frequency	120-277VAC 50/60Hz			
	PF (Tolerance : -3%)	≥0.9			
	THD (Tolerance : +5%)	≤20%			
	Flicker Percent	<40%			
	Driver Brand	Becky			
	Driver Model	BQE108-0800-130-PVF-PS			
	Driver Surge protection	L/N-PE: 4kV, L-N: 4kV			
	Dimming	1-10V dimming standard			
	Optional Accessory	DC Photosensor			
MATERIALS	LED Brand	Lumileds			
	LED Type	SMD2835			
	LED QTY	210 PCS*2			
	Housing	Die-cast aluminum			
	Housing Color	Brown, Black, or Customized			
	EPA	0.56 ft ²			
	Waterproof Rating	WET (IP65)			
OTHERS	Operating Temperature	-40°C TO 50°C			
	Storage Temperature	-20°C TO 85°C			
	Operating Humidity	5% - 95% RH			
	Storage Humidity	5% - 95% RH			
	Warranty	5 years			

PACKAGE

Bracket Type	Carton Size		Qty / Carton	Net Weight / Carton	Gross Weight / Carton
AM	Outer box	465*295*210*mm	2 PCS	6.4Kg	8Kg
	Inner box	280*94*450mm	1 PCS	3.2Kg	3.63Kg
YM	Outer box	465*295*210*mm	2 PCS	5.8Kg	7.2Kg
	Inner box	280*94*450mm	1 PCS	2.9Kg	3.33Kg
FM	Outer box	435*310*295mm	5 PCS	11.5Kg	15.65Kg
	Inner box	280*83*295mm	1 PCS	2.3Kg	2.73Kg

Tolerance of Carton Size: ±15 MM, Tolerance of Weight: ±10%.



LIGHT DISTRIBUTION TESTING PARAMETERS

Luminaire Property

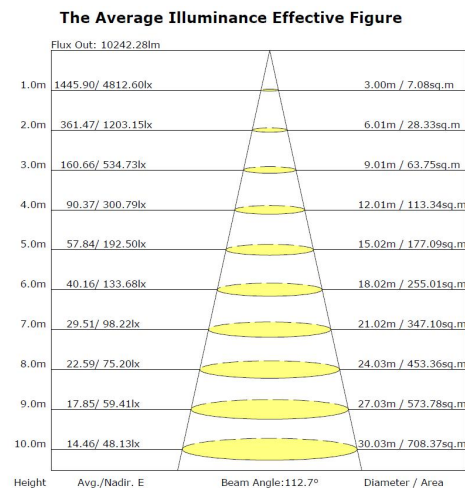
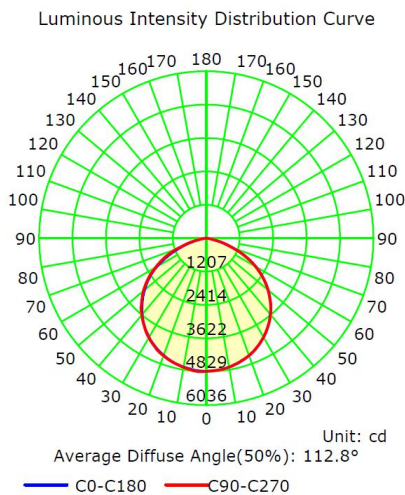
Luminaire Manufacturer:
 Luminaire Category:
 Lamp Catalog:
 Number of Lamps:
 Luminous Length (mm):
 Luminous Height (mm):
 Current: 0.855 A
 Power Factor: 0.997

Luminaire Description:
 Lamp Description:
 Lumens per Lamp:
 Luminous Width (mm):
 Voltage: 120.0 V
 Power: 102.42 W

Photometric Results

IES Classification: Type II
 Total Rated Lamp Lumens: 13291.8 lm
 Efficiency: 100%
 Upward Ratio: 0%
 C0r0 Intensity: 4812.6 cd
 Pos of Max. Intensity: H270 V3

Longitudinal Classification: Very Short
 Measurement Flux: 13291.8 lm
 Downward Ratio: 100%
 Luminaire Efficacy Rating (LER): 129.83
 Max. Intensity: 4829.6 cd



NOTICE FOR USER

- Please turn off power before install or change assembly parts.
- The input voltage and lamps should be matched, after connecting the power line, Please make sure the wiring section is insulated.
- No-professionals, must not install and disassemble the lamps.

TROUBLE SHOOTINGS

Troubles	Check points
Flickering of the light	Turn off the power and turn on again in 3 minutes. If same phenomena occur, then call agencies.
Out of working	Please check the connection.