



NAME: Hazardous Location LED Round Light

P/N:GT-EP-R1-60WXYZD1-abcd

Note:

1. The Letter **GT** in P/N stands for Company name.
2. The Letter **EP-R1** in P/N stands for Product series, Hazardous Location LED Round Light.
3. The Letter **60W** in P/N stands for Rating Power.
4. Where "**X**" stands for LED manufactory, can be E.
5. Where "**Y**" stands for Diffuser type, can be "S6" to "S9", represents different Diffuser light angle and with flat clear glass, or "CG" represents flat clear glass only, "SS" represents clear striped spherical glass.
6. Where "**Z**" can be "S" or blank, represents "with Wire Guard" or "without Wire Guard" .
7. The Letter **D1** in P/N stands for input voltage 100-277VAC.
8. Where "**a**" can be any two letters to represent color of luminaire.
9. Where "**b**" can be "U" or blank, represents "with bracket" or "without bracket" .
10. Where "**c**" can be "NPT" for 3/4" NPT threaded pipe wiring.
11. Where "**d**" can be 30, 40, 50, 57, 65 to represent CCT.

Advantage:

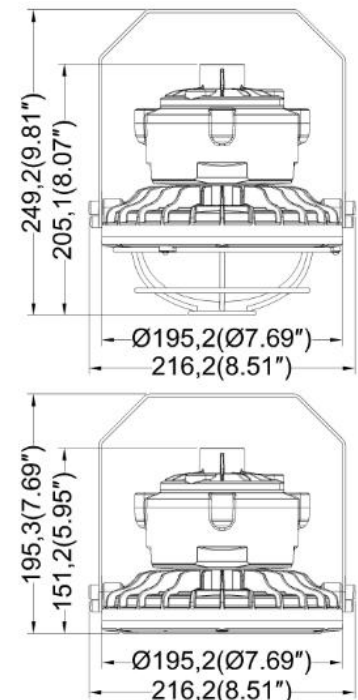
- UL cUL certificate.
- IP66 driver, input voltage 100-277VAC.
- No UV or IR in the beam.
- Easy to install and operate.
- Energy saving, long lifespan.
- Light is soft and uniform, safe to eyes.
- Instant start, NO humming.
- Green and eco-friendly without mercury.

Application:

- Warehouse, factory and workshops;
- Petroleum and petrochemical area, and gas station;
- Power, railway, ship port, public security, fire protection and other fields.

CERTIFICATIONS:

- CI D2 Groups A,B,C,D.T4A
- UL 844.
- UL 8750.
- CSA C22.2 No.137.0.
- CSA C22.2 No.250.0.
- CSA C22.2 No.250.13.



Product Specifications

Product name	Hazardous Location LED Round Light
Part No	GT-EP-R1-60WXYZD1-abcd
Dimension	216.2x195.2x249.2 mm or 216.2x195.2x195.3 mm 8.51" x7.69" x9.81" or 8.51" x7.69" x7.69"

Technical Characteristic

Color temperature	3000 - 6500K			
CRI	>80			
Cover	clear glass	clear glass + wire guard	clear striped spherical glass	clear striped spherical glass + wire guard
Lumen	8100-9000LM	7800-8700LM	7500- 8400LM	6900- 7800LM
Lumen Efficacy	140 LM/W (135-150 LM/W)	135 LM/W (130-145 LM/W)	130 LM/W (125-140 LM/W)	120 LM/W (115-130 LM/W)
Viewing Angle	110°	110°	120°	120°
Input Power	60W			
Input Voltage	100-277VAC 50/60Hz			
Driver Brand	China Brand Driver (L/N-PE: 6KV L-N: 4KV)			
PF	>0.9			
THD	≤20%			
Waterproof Rating	WET (IP66)			
Explosion-proof Mark	North America: Class I ,Division 2,Groups A,B,C,D, T4A;			

Materials

LED Brand/ LED Type	Samsung / SMD 2835 (0.5W)
LED QTY	252 PCS
Housing	Aluminum Alloy
Housing color	Any Colors
Cover	Clear Glass or Clear Striped Spherical Glass

Others

Operating Temperature	-40°C TO 55°C
Operating Humidity	10%-90% RH
Storage Temperature	-40°C TO 80°C
Storage Humidity	10%-95% RH
Application	Indoor/Outdoor
Safety Certification	UL/cUL
Warranty Time	5 Years

Light Distribution Testing Parameters

Luminaire Property

Luminaire Manufacturer:
Voltage: 120.3 V
Power: 62.62 W

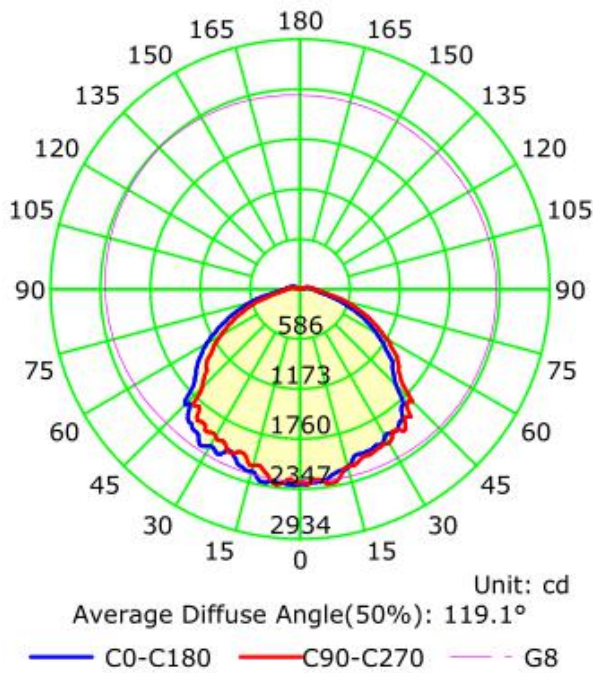
Current: 0.522 A
Power Factor: 0.996

Photometric Results

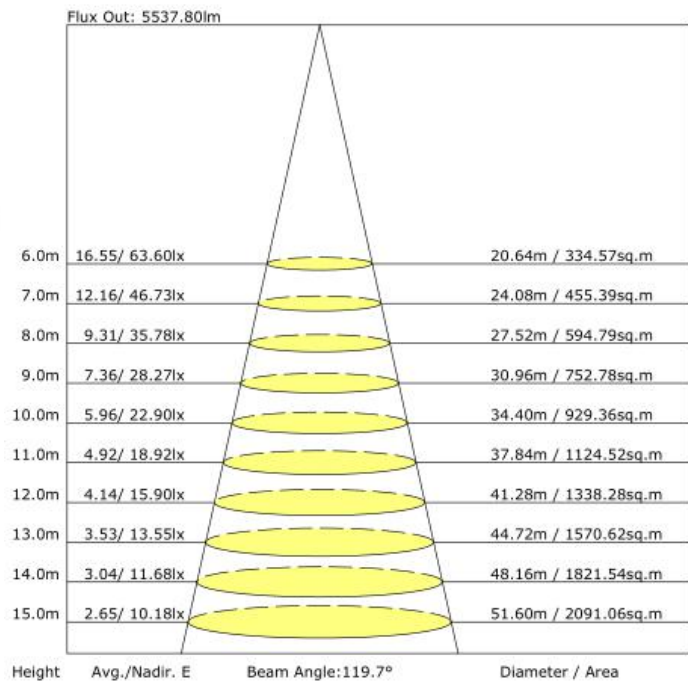
IES Classification: Type III
Total Rated Lamp Lumens: 7599.7 lm
Efficiency: 100%
Upward Ratio: 5%
Central Intensity: 2289.69 cd
Pos of Max. Intensity: H225 V8

Longitudinal Classification: Very Short
Measurement Flux: 7599.7 lm
Downward Ratio: 95%
Luminaire Efficacy Rating (LER): 121.41
Max. Intensity: 2347.49 cd

Luminous Intensity Distribution Curve



The Average Illuminance Effective Figure



Optional Accessory



Clear glass



Clear striped spherical glass



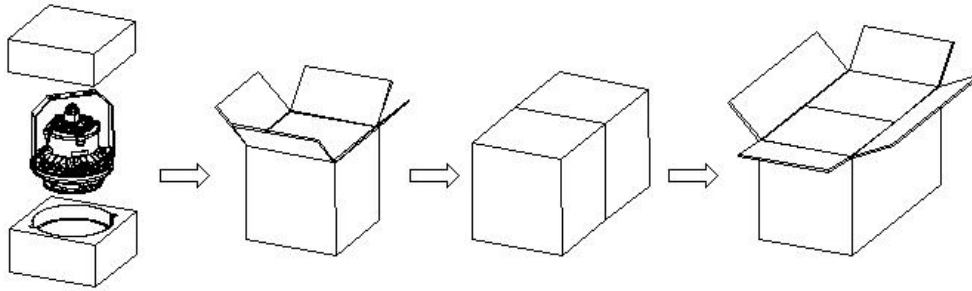
Bracket



Wire guard

Package

		clear glass	clear glass + wire guard	clear striped spherical glass	clear striped spherical glass + wire guard
Lamps Net Weight		3.86kg	4.02kg	4.15kg	4.31kg
Inner box	size	240x240x240 mm		240x240x290 mm	
	Qty/ Carton	1PCS			
	Weight/Carton	4.16kg	4.35kg	4.48kg	4.64kg
Outer box	size	500x255x260 mm		500x255x310 mm	
	Qty/ Carton	2PCS			
	Weight/Carton	8.92kg	9.33kg	9.56kg	9.88kg



Notice For User

- ◆ when installing the conduit, remove the compression nut on the screw thread of the lamp. Requirement of waterproof for fixture connection and requirement of conduit system connection should according to the local regulations.
- ◆ Please turn off power before install or change assembly parts.
- ◆ The input voltage and lamps should be matched, after connecting the power line, Please make sure the wiring section is insulated.
- ◆ No-professionals, must not install and disassemble the lamps.

Trouble Shootings

Troubles	Check points
Flickering of the light	Turn off the power and turn on again in 3 minutes. If same phenomena occur, then call agencies.
Out of working	Please check the connection.