



**NAME:** Hazardous Location LED Round Light

**P/N:** GT-EP-R1-150WXYZD1-abcd

**Note:**

1. The Letter **GT** in P/N stands for Company name.
2. The Letter **EP-R1** in P/N stands for Product series, Hazardous Location LED Round Light.
3. The Letter **150W** in P/N stands for Rating Power.
4. Where "**X**" stands for LED manufactory, can be E.
5. Where "**Y**" stands for Diffuser type, can be "S6" to "S9", represents different Diffuser light angle and with flat clear glass, or "CG" represents flat clear glass only, "SS" represents clear striped spherical glass.
6. Where "**Z**" can be "S" or blank, represents "with Wire Guard" or "without Wire Guard" .
7. The Letter **D1** in P/N stands for input voltage 100-277VAC.
8. Where "**a**" can be any two letters to represent color of luminaire.
9. Where "**b**" can be "U" or blank, represents "with bracket" or "without bracket" .
10. Where "**c**" can be "NPT" for 3/4" NPT threaded pipe wiring.
11. Where "**d**" can be 30, 40, 50, 57, 65 to represent CCT.

### Advantage:

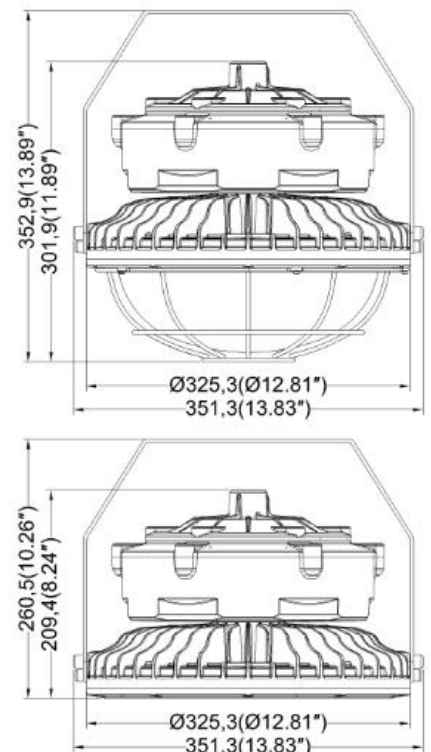
- UL cUL certificate.
- IP66 driver, input voltage 100-277VAC.
- No UV or IR in the beam.
- Easy to install and operate.
- Energy saving, long lifespan.
- Light is soft and uniform, safe to eyes.
- Instant start, NO humming.
- Green and eco-friendly without mercury.

### CERTIFICATIONS:

- CID2 Groups A,B,C,D.T4A
- UL 844.
- UL 8750.
- CSA C22.2 No.137.0.
- CSA C22.2 No.250.0.
- CSA C22.2 No.250.13.

### Application:

- Warehouse, factory and workshops;
- Petroleum and petrochemical area, and gas station;
- Power, railway, ship port, public security, fire protection and other fields.



## Product Specifications

Product name	Hazardous Location LED Round Light
Part No	GT-EP-R1-150WXYZD1-abcd
Dimension	351.3x325.3x352.9 mm or 351.3x325.3x260.5 mm 13.83" x12.81" x13.89" or 13.83" x12.81" x10.26"

## Technical Characteristic

Color temperature	3000 - 6500K			
CRI	>80			
Cover	clear glass	clear glass + wire guard	clear striped spherical glass	clear striped spherical glass + wire guard
Lumen	22500-24750LM	21750-24000LM	21000-23250LM	20250- 22500LM
Lumen Efficacy	155 LM/W (150-165 LM/W)	150 LM/W (145-160 LM/W)	145 LM/W (140-155 LM/W)	140 LM/W (135-150 LM/W)
Viewing Angle	110°	110°	120°	120°
Input Power	150W			
Input Voltage	100-277VAC 50/60Hz			
Driver Brand	China Brand Driver (L/N-PE: 10KV L-N: 6KV)			
PF	>0.9			
THD	≤20%			
Waterproof Rating	WET (IP66)			
Explosion-proof Mark	North America: Class I ,Division 2,Groups A,B,C,D, T4A;			

## Materials

LED Brand/ LED Type	Samsung / SMD 2835 (0.5W)
LED QTY	630 PCS
Housing	Aluminum Alloy
Housing color	Any Colors
Cover	Clear Glass or Clear Striped Spherical Glass

## Others

Operating Temperature	-40℃ TO 55℃
Operating Humidity	10%-90% RH
Storage Temperature	-40℃ TO 80℃
Storage Humidity	10%-95% RH
Application	Indoor/Outdoor
Safety Certification	UL/cUL
Warranty Time	5 Years

## Light Distribution Testing Parameters

### Luminaire Property

Luminaire Manufacturer:

Voltage: 120.3 V

Power: 153.19 W

Current: 1.277 A

Power Factor: 0.998

### Photometric Results

IES Classification: Type II

Total Rated Lamp Lumens: 23834.0 lm

Efficiency: 100%

Upward Ratio: 1%

Central Intensity: 8343.99 cd

Pos of Max. Intensity: H180 V1

Longitudinal Classification: Very Short

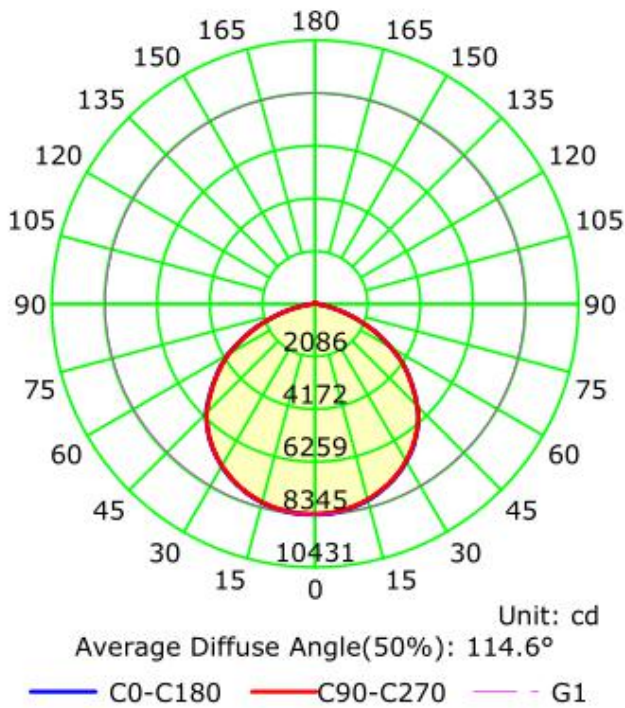
Measurement Flux: 23834 lm

Downward Ratio: 99%

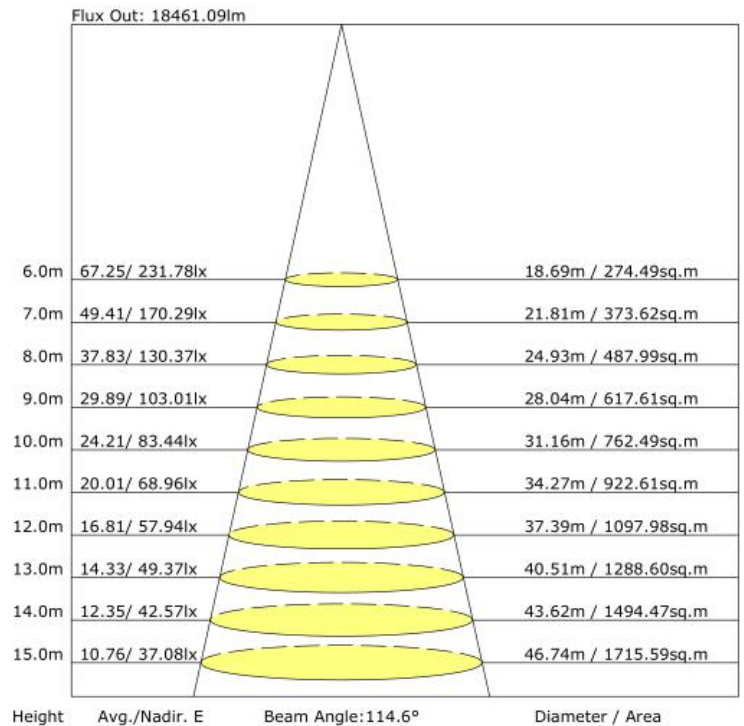
Luminaire Efficacy Rating (LER): 155.63

Max. Intensity: 8345.42 cd

Luminous Intensity Distribution Curve



The Average Illuminance Effective Figure



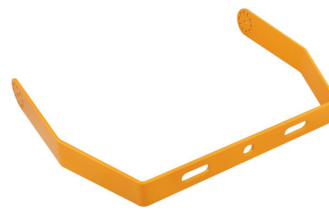
## Optional Accessory



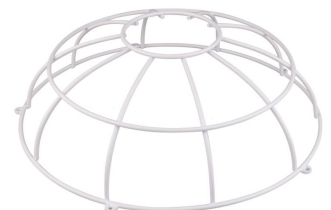
Clear glass



Clear striped spherical glass



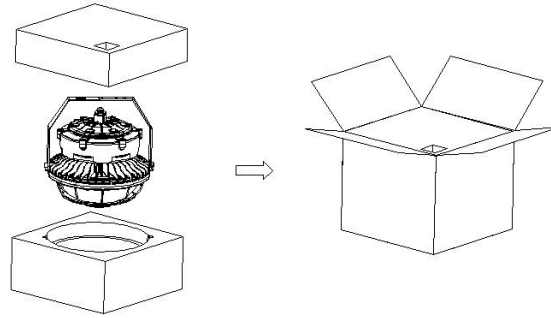
Bracket



Wire guard

## Package

		clear glass	clear glass + wire guard	clear striped spherical glass	clear striped spherical glass + wire guard
Lamps Net Weight		11.1kg	11.45kg	11.97kg	12.33kg
Outer box	size	400x400x345 mm	400x400x440 mm		
	Qty/ Carton	1PCS			
	Weight/Carton	12.35'kg	12.71kg	13.47kg	13.83kg



## Notice For User

- ◆ when installing the conduit, remove the compression nut on the screw thread of the lamp. Requirement of waterproof for fixture connection and requirement of conduit system connection should according to the local regulations.
- ◆ Please turn off power before install or change assembly parts.
- ◆ The input voltage and lamps should be matched, after connecting the power line, Please make sure the wiring section is insulated.
- ◆ No-professionals, must not install and disassemble the lamps.

## Trouble Shootings

Troubles	Check points
Flickering of the light	Turn off the power and turn on again in 3 minutes. If same phenomena occur, then call agencies.
Out of working	Please check the connection.