



GREENTEK ENERGY SYSTEMS, LLC

www.GreentekEnergySystems.com

P/N: GT-EFL-25W-BCPRP-aSCCTDW

Note:

GT= Company name;

EFL = Product series, LED Flood Light;

25W = Rating Power;

B= LED manufacturer, Bridgelux2835;

CP= Diffuser light angle type;

R=PIR sensor;

P=Photocell;

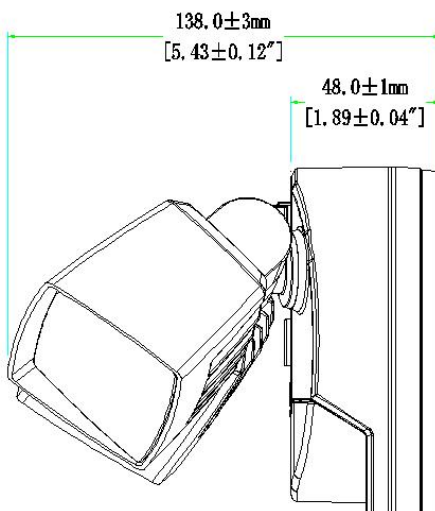
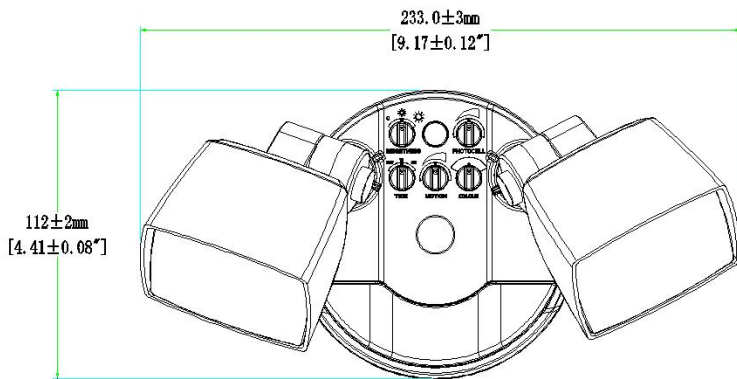
“a” can be any two letters for lamp colors; “BH = Black, WH=White, BR=Bronze or Customized”;

“SCCT” represents for select CCT;

“D” represents for LED Module type

“W” represents for Dimming Module provided

DIMENSIONS



ADVANTAGE

- UL certificate.
- Lumileds Chip, high CRI.
- Input voltage 120VVAC.
- No UV or IR in the beam.
- Easy to install and operate.
- Energy saving, long lifespan.
- Instant start, NO flickering, NO humming.
- Green and eco-friendly without mercury.

APPLICATION

- Factory floor, libraries, square, park;
- Supermarkets, railway stations;
- Advertising lighting, etc.

SPECIFICATIONS

OPTICAL	Input Power (Tolerance : ±10%)	25W(Wattage adjustable 25W/16W)		
	Color Temperature	3000K	4000K	5000K
	Lumen (Tolerance : -10%)	3025LM	3250LM	3150LM
	Efficacy (Tolerance : -3%)	121LM/W	130LM/W	126LM/W
	CRI	>80		
	Color Consistency	<7 Steps (or <7 SDCM)		
	Distribution Pattern	Clear plastic		
	Beam Angle (50%) (Tolerance : ±15%)	103 Degree		
ELECTRICAL	Input Voltage and Frequency	120VAC, 50/60Hz		
	PF (Tolerance : -3%)	≥0.9		
	THD (Tolerance : +5%)	≤20%		
	Flicker Percent	<80%		
	Driver Surge protection	L/N-PE: 2kV, L-N: 2kV		
	Dimming	N/A		
	Sensor Type	PIR sensor+Photocell		
	Optional Accessory	N/A		
MATERIALS	LED Brand	Lumileds		
	LED Type	SMD2835		
	LED QTY	82 PCS		
	Housing	Die-cast aluminum		
	Housing Color	White, Black, or Customized		
	EPA	0.28 ft ²		
	Waterproof Rating	WET (IP65)		
OTHERS	Operating Temperature	-30°C TO 50°C;		
	Storage Temperature	-40°C TO 80°C		
	Operating Humidity	20% - 90% RH		
	Storage Humidity	20% - 95% RH		
	Warranty	5years		

PACKAGE

Bracket Type	Carton Size	Qty / Carton	Net Weight / Carton	Gross Weight / Carton
	Outer box:378*262*182mm [14.88*10.31*7.17 inch]	6PCS	6KG [13.2 LBS]	7.2KG [15.84 LBS]
	Inner box:170*120*120mm [6.69*4.72*4.72 inch]	1PCS	0.7 KG [1.54 LBS]	1 KG [2.2 LBS]

Tolerance of Carton Size: ±15 MM, Tolerance of Weight: ±10%.

LIGHT DISTRIBUTION TESTING PARAMETERS

Luminaire Property

Luminaire Manufacturer:
Voltage: 120.0 V
Power: 26.24 W

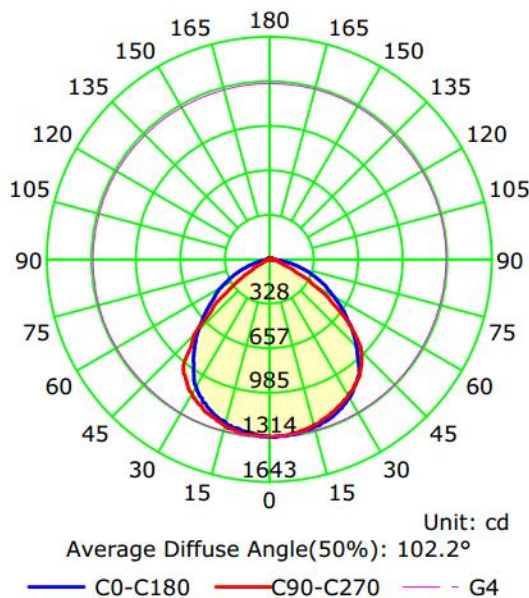
Current: 0.223 A
Power Factor: 0.982

Photometric Results

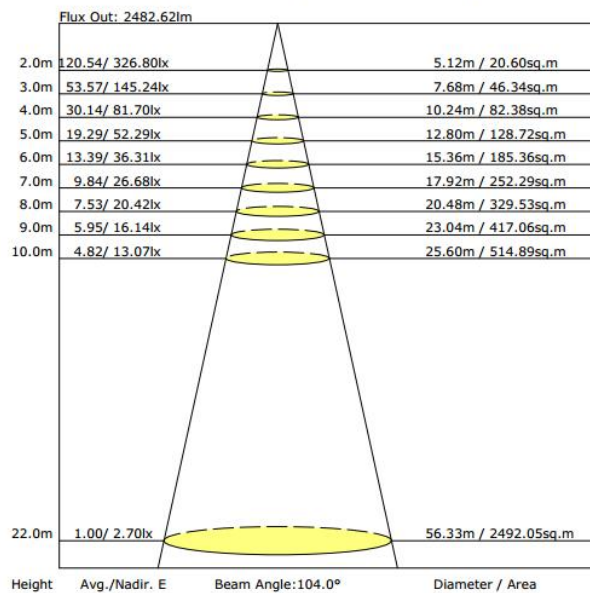
CIE Class: Direct
Measurement Flux: 3352.3 lm
Downward Ratio: 98%
Horizontal Diffuse Angle(10%,50%): H155,H104.2
Vertical Diffuse Angle(10%,50%): V128.6,V100.3
Luminaire Efficacy Rating (LER): 127.81
Max. Intensity: 1314.43 cd
S/MH(C0/C180): 1.28

Total Rated Lamp Lumens: 3352.3 lm
Efficiency: 100%
Upward Ratio: 2%
Central Intensity: 1307.18 cd
Pos of Max. Intensity: H337.5 V4
S/MH(C90/C270): 1.31

Luminous Intensity Distribution Curve



The Average Illuminance Effective Figure



NOTICE FOR USER

- Please turn off power before install or change assembly parts.
- The input voltage and lamps should be matched, after connecting the power line, Please make sure the wiring section is insulated.
- No-professionals, must not install and disassemble the lamps.

TROUBLE SHOOTINGS

Troubles	Check points
Flickering of the light	Turn off the power and turn on again in 3 minutes. If same phenomena occur, then call agencies.
Out of working	Please check the connection.