



GREENTEK ENERGY SYSTEMS, LLC
www.greentekes.com

P/N: GT-DHB-80WJD6A1-ade

Note:

GT= Company name

DHB = Product series, LED High Bay Light

80W = Rating Power

J= LED manufacturer, Bridgelux2835.

D6 = the mask type, can be glass, plastic PC, lens;

A1=Version number

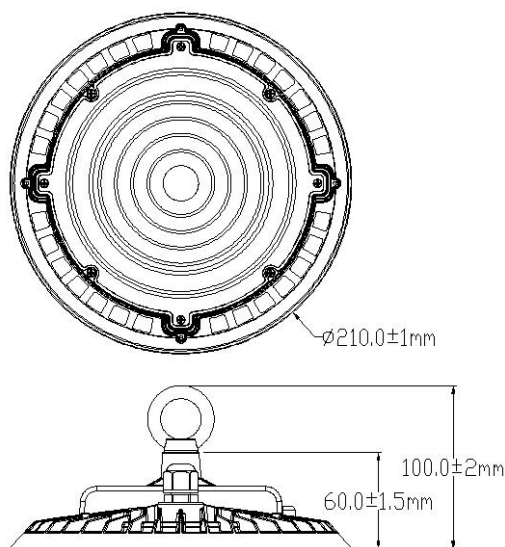
“a” can be any two letters to represent lamp colors; B
H=Black, WH=White, or Customized;

“d” can be “XXK” for CCT, such as
40K=4000K, 57K=5700K, etc;

“e” can be “RP”, “RA” or blank for Thermoplastic
shade, aluminum shade provided or not.



DIMENSIONS



ADVANTAGE

- UL certificate.
- Bridgelux Chip, high CRI.
- Input voltage 120VAC.
- No UV or IR in the beam.
- Easy to install and operate.
- Energy saving, long lifespan.
- Light is soft and uniform, safe to eyes.
- Instant start, NO flickering, NO humming.
- Green and eco-friendly without mercury.

APPLICATION

- Warehouse, factory and workshops;
- Highway toll station and gas station;
- Exhibition hall;
- Gymnasium and supermarkets, etc.

SPECIFICATIONS

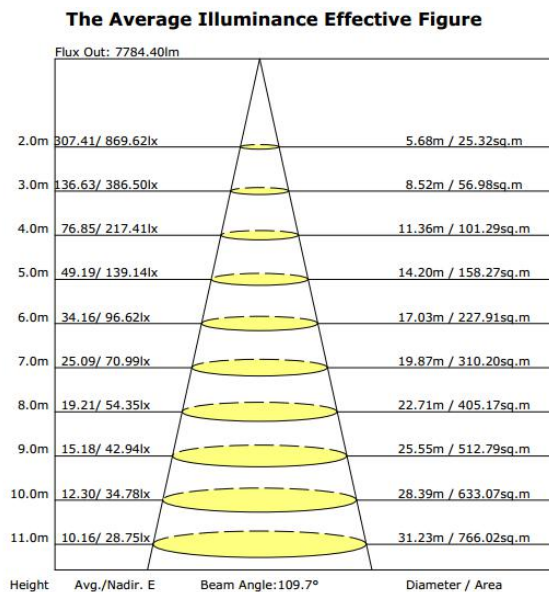
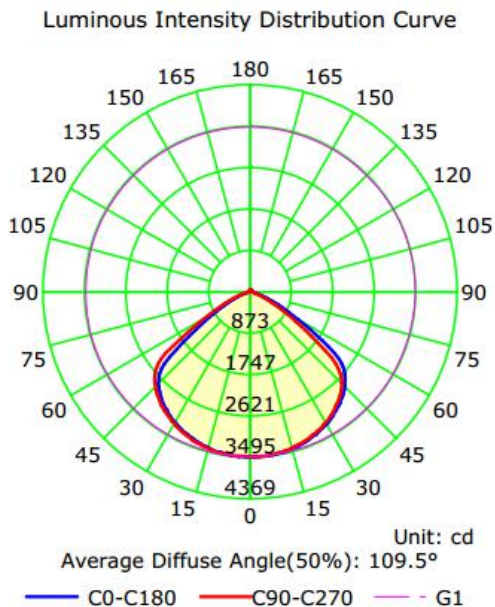
OPTICAL	Input Power (Tolerance : $\pm 10\%$)	80W
	Color Temperature	3000K-6500K
	Lumen (Tolerance : -10%)	8400LM-8800LM
	Efficacy (Tolerance : -3%)	105LM/W-110LM/W
	CRI	>80
	Color Consistency	<6 Steps (or <6 SDCM)
	UGR	<28 (X=4H, Y=8H; S/H=1; Reflectances: 70%/50%/20%)
	Diffuser Type	PC Lens
	Beam Angle (50%) (Tolerance : $\pm 15\%$)	110 Degree
ELECTRICAL	Input Voltage and Frequency	120VAC $\pm 10\%$, 50/60Hz
	PF (Tolerance : -3%)	≥ 0.9
	THD (Tolerance : $+5\%$)	$\leq 35\%$
	Flicker Percent	100%
	Driver Brand	N/A
	Driver Model	N/A
	Driver Surge protection	L-N: 2kV, L/N-PE: 2kV
	Dimming	N/A
	Optional Accessory	N/A
MATERIALS	LED Brand	Bridgelux
	LED Type	SMD2835
	LED QTY	120PCS
	Housing	Die-cast aluminum
	Housing Color	Black, White, or Customized
	Waterproof Rating	WET (IP65)
OTHERS	Operating Temperature	-40°C TO 45°C
	Storage Temperature	-40°C TO 75°C
	Operating Humidity	20% - 90% RH
	Storage Humidity	10% - 95% RH
	Warranty	3 Years

PACKAGE

Carton Size	Qty / Carton	Net Weight / Carton	Gross Weight / Carton
Outer box:320*235*240mm	4 PCS	5.48KG	6.13KG
Inner box:215*215*75mm	1 PC	0.97KG	1.37KG

Tolerance of Carton Size: ± 15 MM, Tolerance of Weight: $\pm 10\%$.

GHT DISTRIBUTION TESTING PARAMETER



NOTICE FOR USER

- Please turn off power before install or change assembly parts.
- The input voltage and lamps should be matched, after connecting the power line, Please make sure the wiring section is insulated.
- No-professionals, must not install and disassemble the lamps.

TROUBLE SHOOTINGS

Troubles	Check points
Flickering of the light	Turn off the power and turn on again in 3 minutes. If same phenomena occur, then call agencies.
Out of working	Please check the connection.