



**GREENTEK ENERGY SYSTEMS, LLC**  
www.greentekes.com



**AM**

**YM**

**FM**



**P/N: GT-DFL-30WXY-acb**

Note:

GT= Company name

DFL = Product series, LED Flood Light

30W = Rating Power

X= LED manufacturer, Bridgelux2835

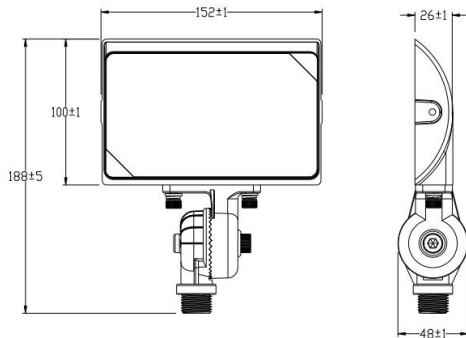
Y=Represents mask, GC represents transparent glass, Mg represents frosted

“a” can be any two letters for lamp colors,such as BR=Brown,WH=White.

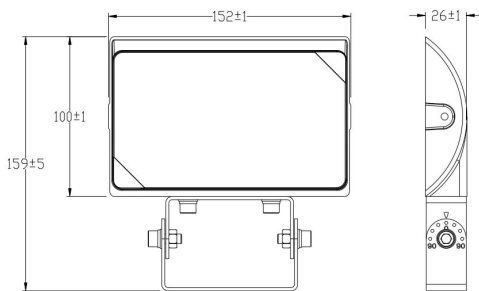
“c” can be “XXK” for CCT;

“b” can be “AM”, “KL”, “YM” or “FM” for Mounting

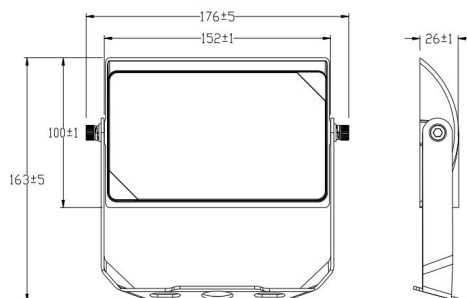
## DIMENSIONS



**AM**



**YM**



**FM**

## ADVANTAGE

- UL certificate.
- Lumileds Chip, high CRI.
- Input voltage 120VAC.
- No UV or IR in the beam.
- Easy to install and operate.
- Energy saving, long lifespan.
- Instant start, NO flickering, NO humming.
- Green and eco-friendly without mercury.

## APPLICATION

- Factory floor, libraries, square, park;
- Supermarkets, railway stations;
- Advertising lighting, etc.

## SPECIFICATIONS

<b>OPTICAL</b>	Input Power (Tolerance : ±10%)	30W		
	Color Temperature	3000K	4000K	5000K
	Lumen(Tolerance: ±10%)	3300LM	3390LM	3450LM
	Efficacy(Tolerance : ±3%)	110LM/W	113LM/W	115LM/W
	CRI	>80		
	Color Consistency	<7 Steps (or <7 SDCM)		
	Distribution Pattern	Clear Tempered Glass		
	Field Angle (10%) (Tolerance : ±15%)	120 Degree		
<b>ELECTRICAL</b>	Input Voltage and	120VAC, 50/60Hz		
	PF (Tolerance : -3%)	≥0.94		
	THD (Tolerance : +5%)	≤30%		
	Flicker Percent	100%		
	Driver Brand	N/A		
	Driver Model	N/A		
	Driver Surge protection	L/N-PE: 2kV, L-N: 2kV		
	Dimming	N/A		
	Sensor Type	N/A		
	Optional Accessory	N/A		
<b>MATERIALS</b>	LED Brand	Bridgelux		
	LED Type	SMD2835		
	LED QTY	60PCS		
	Housing	Die-cast aluminum		
	Housing Color	Brown, Black, or Customized		
	EPA	0.3 ft <sup>2</sup>		
	Waterproof Rating	WET (IP65)		
<b>OTHERS</b>	Operating Temperature	-30°C TO 45°C;		
	Storage Temperature	-40°C TO 80°C		
	Operating Humidity	20% - 90% RH		
	Storage Humidity	20% - 95% RH		
	Warranty	3years		

## PACKAGE

Bracket Type	Carton Size	Qty /	Net Weight / Carton	Gross Weight / Carton
AM、YM、FM	Outer box:480*435*262mm	16PCS	11.84KG	12.73KG
	Inner box:210*57*243mm	1PCS	0.56KG	0.74KG

Tolerance of Carton Size: ±15 MM, Tolerance of Weight: ±10%.

## LIGHT DISTRIBUTION TESTING PARAMETERS

### Luminaire Property

Luminaire Manufacturer:  
Voltage: 124.3 V  
Power: 34.22 W

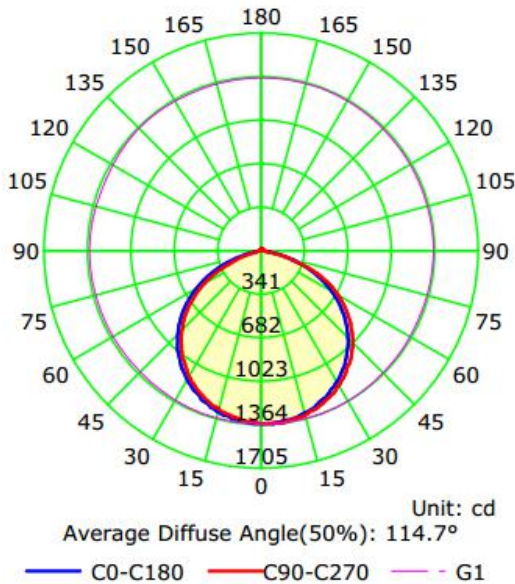
Current: 0.307 A  
Power Factor: 0.896

### Photometric Results

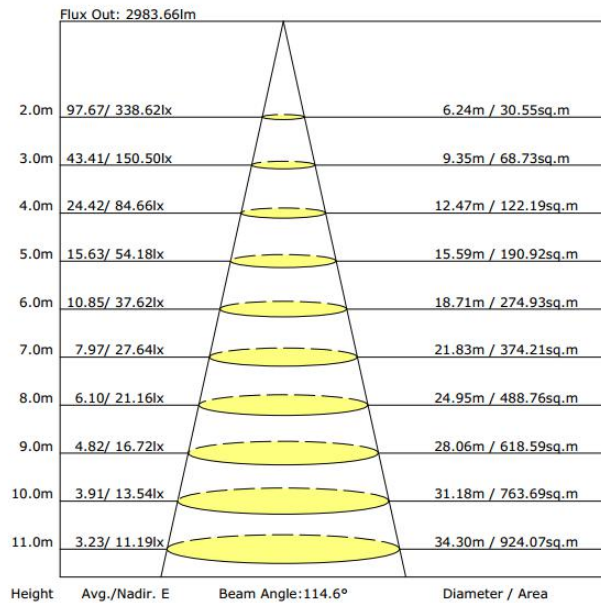
CIE Class: Direct  
Measurement Flux: 3846.3 lm  
Downward Ratio: 99%  
Horizontal Diffuse Angle(10%,50%): H153.9,H114.7  
Vertical Diffuse Angle(10%,50%): V148.9,V114.8  
Luminaire Efficacy Rating (LER): 112.45  
Max. Intensity: 1364.01 cd  
S/MH(C0/C180): 1.29

Total Rated Lamp Lumens: 3846.3 lm  
Efficiency: 100%  
Upward Ratio: 1%  
Central Intensity: 1354.49 cd  
Pos of Max. Intensity: H22.5 V1  
S/MH(C90/C270): 1.29

Luminous Intensity Distribution Curve



The Average Illuminance Effective Figure



### NOTICE FOR USER

- Please turn off power before install or change assembly parts.
- The input voltage and lamps should be matched, after connecting the power line, Please make sure the wiring section is insulated.
- No-professionals, must not install and disassemble the lamps.

### TROUBLE SHOOTINGS

Troubles	Check points
Flickering of the light	Turn off the power and turn on again in 3 minutes. If same phenomena occur, then call agencies.
Out of working	Please check the connection.