

# LED CANOPY LIGHT

150W

PART NO: GT-CP3-150WSSPAA1

## ADVANTAGE

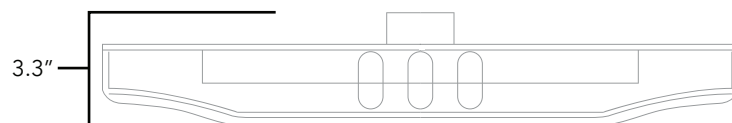
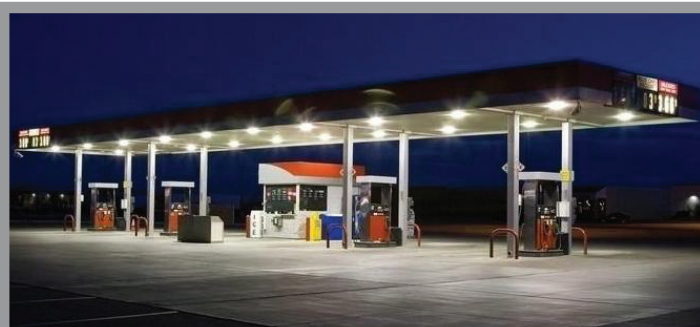
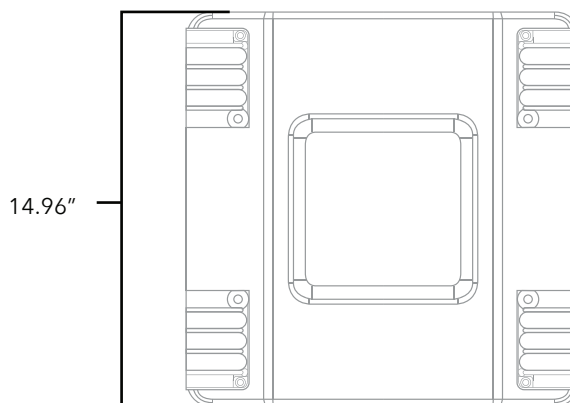
- UL cUL certificate
- High CRI
- IP65 driver, Input voltage 100-277Vac
- NoUVorIRinthebeam
- Easy to install and operate
- Energy saving, Long lifespan
- Light is soft and uniform, Safe to eyes
- Instant start, NO flickering, NO humming Green and eco-friendly without mercury.

## APPLICATION

- Widely used in gas station,service station,underground parking lot,warehouse,garage;
- Work floor,factory and so on.

## WARRANTY

This product has a warranty for a period of 5 years from the date of purchase. The warranty is invalid in the case of improper installation, tampering, or removal of the Q.C. date label. Installation in an improper working environment or installation not according to the current edition of the National Electric Code also invalidates the warranty. Should this product fail during the warranty period, it will be replaced free of charge, subject to correct installation and return of the faulty unit. Greentek Energy Systems does not accept responsibility for any installation costs associated with the replacement of this product. This warranty is in addition to the statutory rights in the country of purchase. Greentek Energy Systems reserves the right to alter specifications without prior notice.



Product name	LED Canopy Light	Lumen	14400 - 17600 LM	Driver model	SS-150H-48 (SOSEN Driver)
Dimension	14.96" x 14.96" x 3.3"	Input Power	150W	PFC	>0.9
Color temperature	4000K, 4500K, 5000K, 5700K	Viewing Angle	100	Waterproof Rating	WET (IP65)
CRI	>80	Input Voltage	100-277Vac50/60Hz	LED Type	2835 (0.5W)

# LED CANOPY LIGHT

150W

## PRODUCT SPECIFICATIONS

LED QTY	390 PCS	Operating Humidity	20%-90% RH
Housing	Aluminum	Storage Temperature	-30°C TO 80°C
Housing color	White	Storage Humidity	10%-95%
Cover	Stripe lens	Application	Outdoor / Indoor
Operating Temperature	-4°F to 113°F	Safety Certification	UL, cUL, DLC
		Warranty Time	5 Years

## LIGHT DISTRIBUTION TESTING PARAMETERS

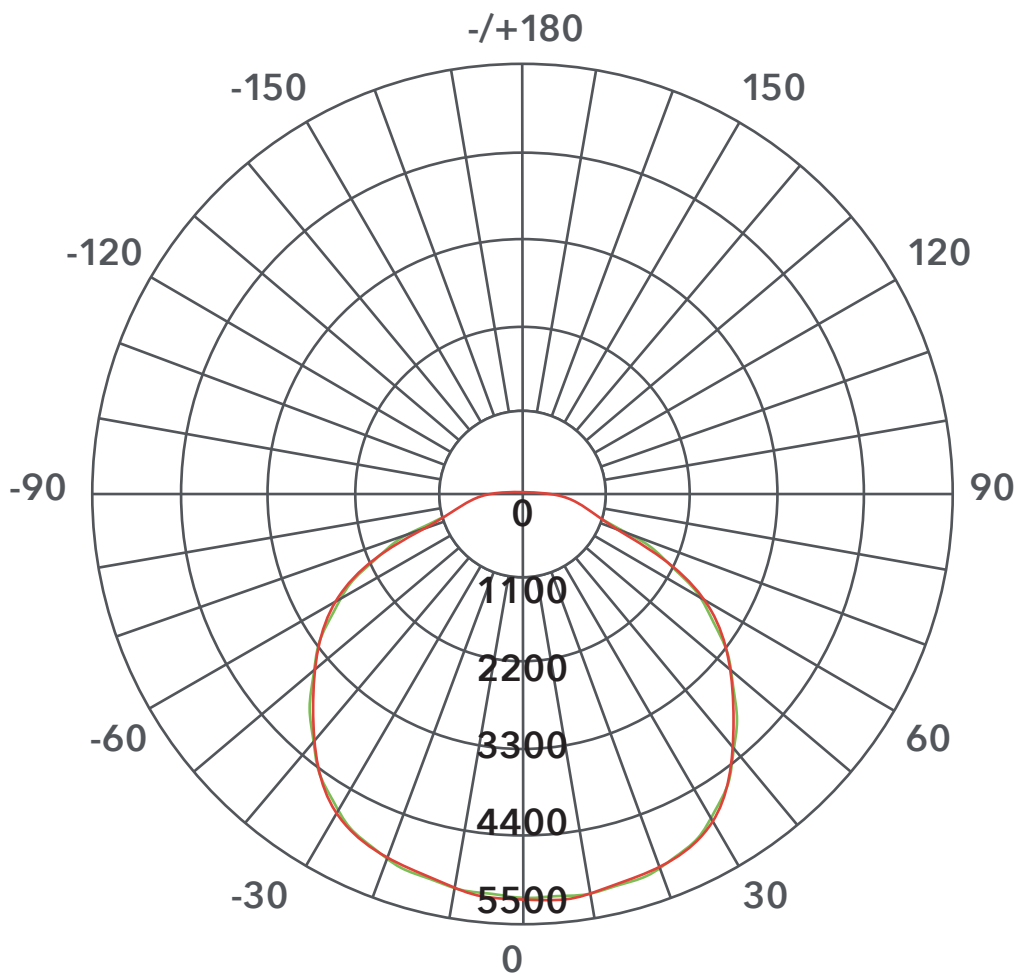
DATA OF LAMP		PHOTOMETRIC DATA Eff: 109:55 lm/W			
Data of Lamp		I <sub>max</sub> (cd)	5162	S/MH (C0/180)	1.36
Data of Lamp	150	LOR (%)	100.0	S/MH (C90/270)	1.36
Data of Lamp	120	Total FLUX (lm)	16060	UP, DN (C0-180)	0.2, 50.2
Data of Lamp	16059.6	CIE CLASS	DIRECT	UP, DN (C180-360)	0.2, 49.4
Data of Lamp	1	η UP (%)	0.4	CIBSE SHR NOM	1.50
Data of Lamp	120.0	η DOWN (%)	99.6	CIBSE SHR MAX	1.50



# LED CANOPY LIGHT

150W

## LUMINOUS INTENSITY DISTRIBUTION DIAGRAM



**AVERAGE BEAM ANGLE (50%): 117.5 DEG**

— C0/180 58.9,58.9

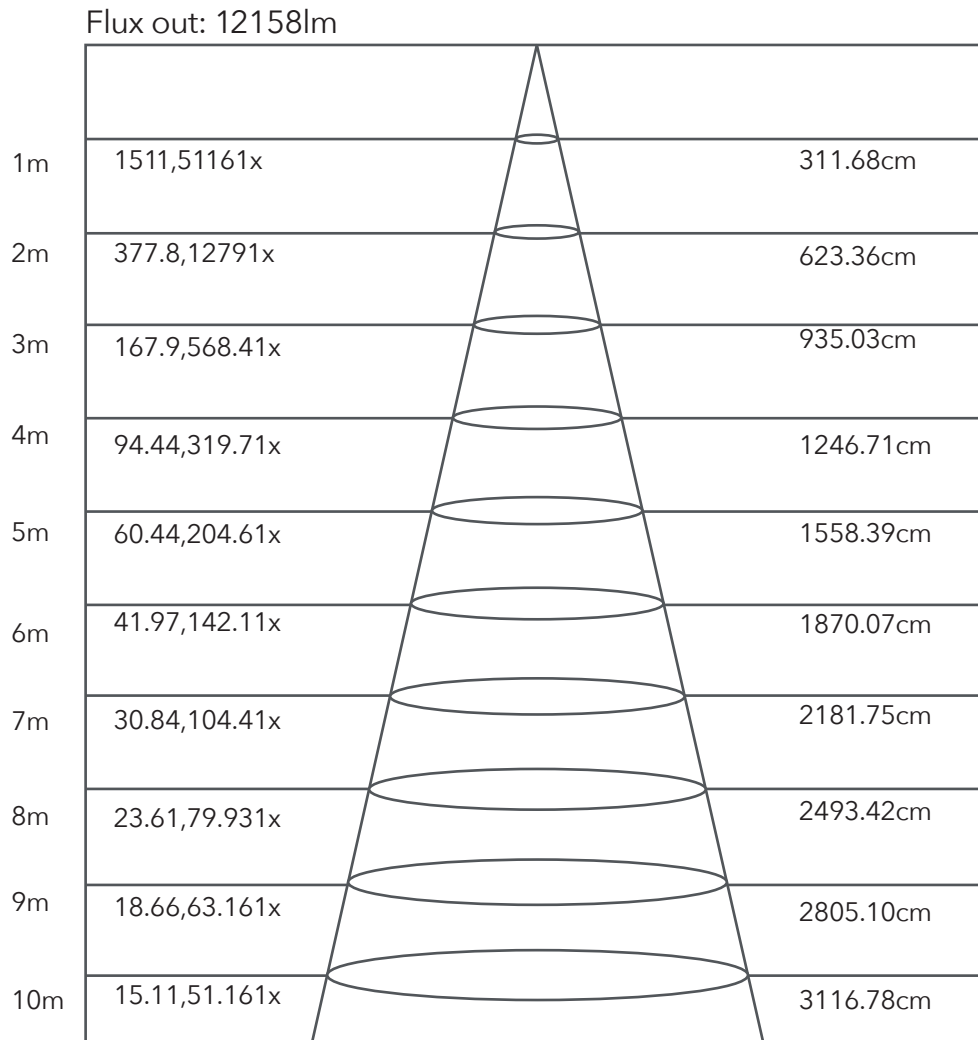
— C90/270 58.1,59.1



# LED CANOPY LIGHT

150W

## LUMINOUS INTENSITY DISTRIBUTION DIAGRAM



Height

Eavg, Emax

Angle: 114.62deg

Diameter

Note: The Curves indicate the illuminated area and the average illumination when the luminaire is at different distance.



# LED CANOPY LIGHT

150W

## PACKAGE

LAMP NET WEIGHT: 13.4LB / PC

	SIZE	SIZE	WEIGHT/ CARTON
Outer box	16.7" x 16.5" x 4.7"	1 PC	15.4LBS

## APPLICATION

- Please turn off power before install or change assembly parts.
- The input voltage and lamps should be matched, after connecting the power line, Please make sure the wiring section is insulated.
- No-professionals, must not install and disassemble the lamps.

## TROUBLE SHOOTINGS

Troubles	Check points
Flickering of the light	Turn off the power and turn on again in 3 minutes. If same phenomena occur, then call agencies.
Out of working	Please check the connection.

