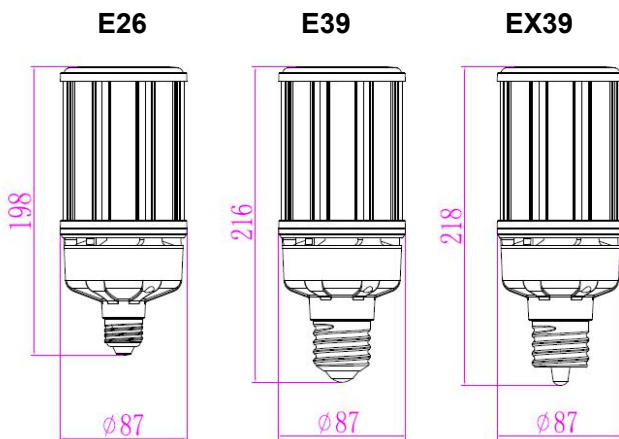




GREENTEK ENERGY SYSTEMS, LLC
www.GreentekEnergySystems.com

DIMENSIONS



P/N:

AST-CLW07E-036WBCA1-aPcK

Note:

GT= Company name

CBW07E = Product series, LED Corn Light

036W = Rating Power

B=Lumileds,

C=Clear cover;

A1 = Version number

a=represent the lamp base type, can be E26,E39,EX39.

P=represent the plastic Top cover material

c=represents CCT, can be two digital.40K=4000K, 50K=5000K, 57K=5700K

ADVANTAGE

- UL cUL DLC certificate.
(only E39 base Light DLC approved)
- E26 E39 EX39 lamp base.
- 360 degree lighting.
- Can be with clear or frosted cover.
- IP65 Waterproof Rating.
- Big heat sink, NO fan.
- Internal driver, input voltage AC100-277V.
- Meet 6KV surge immunity level.
- Sealant pouring for whole driver and lamp plastic housing.
- Long lifespan and good heat dissipation.
- Direct replacement for Metal Halide, easy installation.
- Fits many different fixtures to replace traditional

APPLICATION

- Widely used in supermarket, warehouse, garage, home, office, hotel, hospital, school, street, garden etc.

NOTICE FOR USER

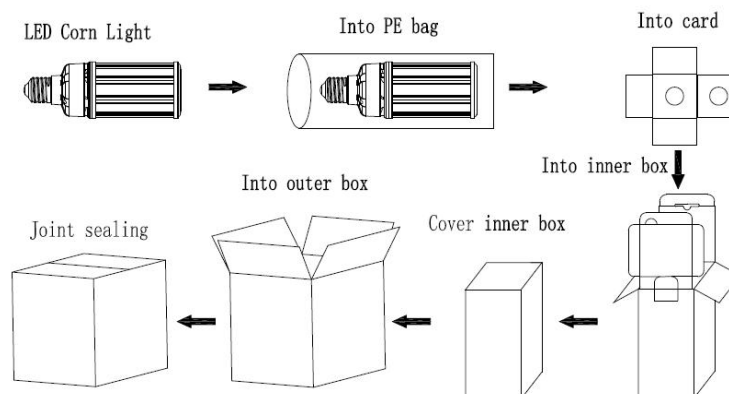
- Please turn off power before install or change assembly parts.
- The input voltage and lamps should be matched, after connecting the power line, Please make sure the wiring section is insulated.
- Make sure to remove or bypass the ballast in the fixtures before install the lamps.
- Suitable for damp locations. Do not use with dimmers.
- Suitable for use in enclosed luminaires, min. lamp compartment dimensions: 380*200*200MM.
- No-professionals, must not install and disassemble the lamps.

SPECIFICATIONS

OPTICAL	Input Power	36W
	Lumen	4860-5220LM (Clear)
	Lumen Efficacy	135-145 LM/W (Clear)
	Color Temperature	4000K, 5000K, 5700K
	CRI	>80
	Viewing Angle	360 Degree
ELECTRICAL	Input Voltage	100-277VAC 50/60Hz
	PF	≥0.9
	THD	≤20%
	Equivalent	80W CFL, 150W MHL/HPS/HID
MATERIALS	LED Brand	Lumileds
	LED Type	SMD2835
	LED QTY	108 PCS
	Housing	PC + Aluminum
	Housing Color	Any colour
	Cover	Clear / Frosted
	Waterproof Rating	IP65
OTHERS	Operating Temperature	-40°C TO 45°C
	Operating Humidity	20%-70% RH
	Storage Temperature	-40°C TO 80°C
	Storage Humidity	10%-75% RH
	Warranty Time	5 Years

PACKAGE

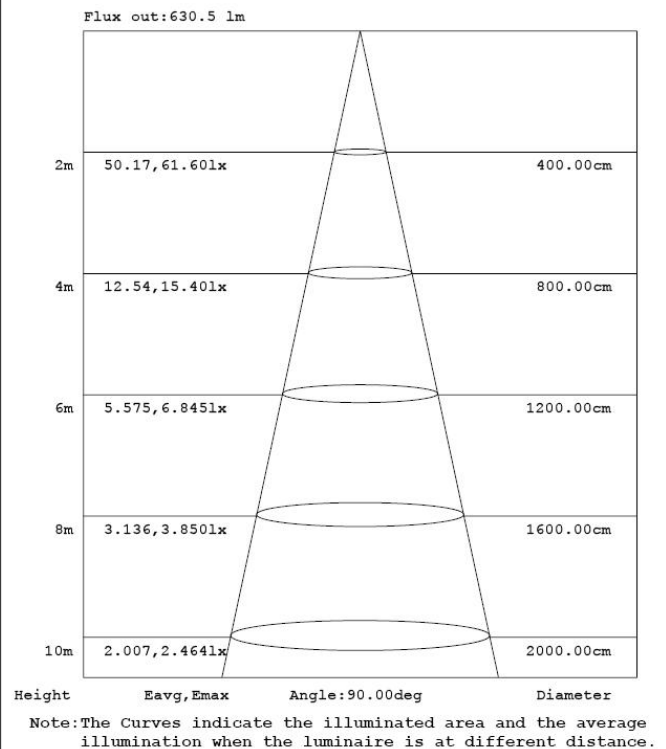
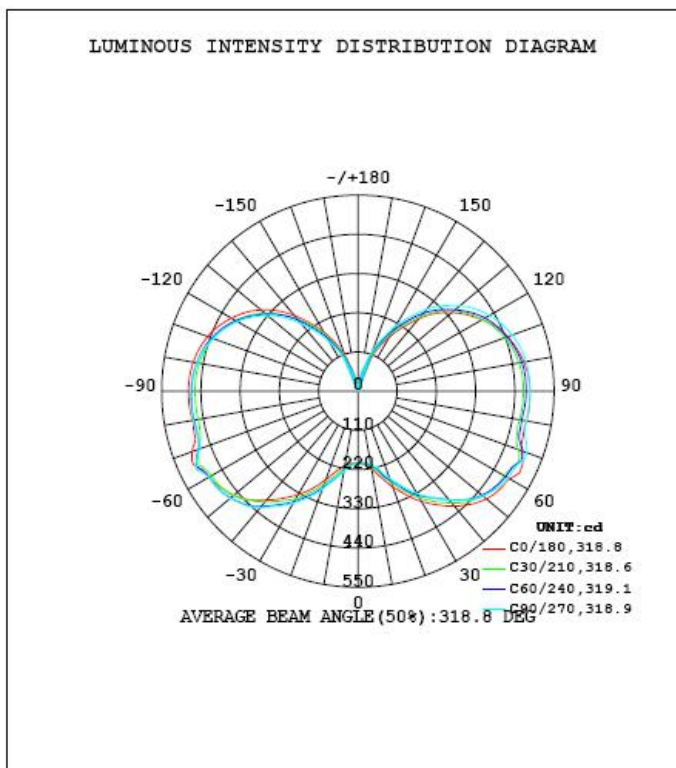
	Size	Qty / Carton	Net Weight / Carton	Gross Weight / Carton
Inner box	245*95*95 MM	1 PC	0.58 KG	0.7 KG
Outer box	400*305*265MM	12 PCS	7.0 KG	9.4 KG



LIGHT DISTRIBUTION TESTING PARAMETERS

Remark: The testing data comes directly from the product test.

DATA OF LAMP		PHOTOMETRIC DATA Eff: 140.32 lm/W			
MODEL		I _{max} (cd)	522.0	S/MH(C0/180)	2.66
NOMINAL POWER (W)	36	LOR (%)	100.0	S/MH(C90/270)	2.67
RATED VOLTAGE (V)	120	TOTAL FLUX (lm)	4960.6	η UP, DN (C0-180)	23.0, 27.4
NOMINAL FLUX (lm)	4960.61	CIE CLASS	DIFFUSE	η UP, DN (C180-360)	21.9, 27.7
LAMPS INSIDE	1	η up (%)	44.9	CIBSE SHR NOM	2.00
TEST VOLTAGE (V)	120	η down (%)	55.1	CIBSE SHR MAX	0.00



TROUBLE SHOOTINGS

Troubles	Check points
Flickering of the light	Turn off the power and turn on again in 3 minutes. If same phenomena occur, then call agencies.
Out of working	Please check the connection.