



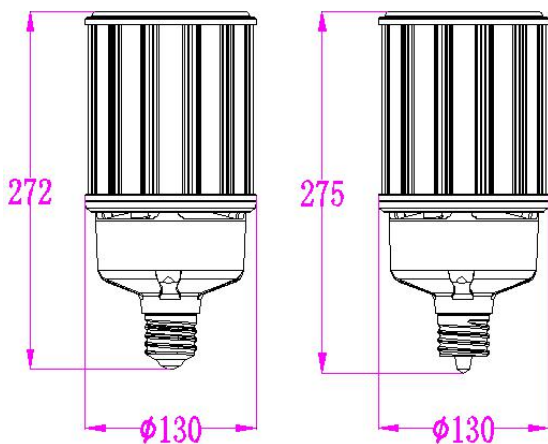
GREENTEK ENERGY SYSTEMS, LLC  
www.GreentekEnergySystems.com



## DIMENSIONS

E39

EX39



P/N: GT-CBW07-080WACA1-acK

Note:

GT= Company name

CBW07 = Product series, LED Corn Light

080W = Rating Power

A = LED manufacturer, Hongli

C = Cover type, Clear cover

a=represent the lamp base type, can be E39, EX39

cK=CCT, 30K=3000K, 35K=3500K, 40K=4000K, 50K=5000K, 57K=5700K

## ADVANTAGE

- UL cUL DLC certificate.
- E39 EX39 lamp base.
- Big heat sink, NO fan.
- Internal driver, input voltage AC100-277V.
- Meet 6KV surge immunity level.
- Sealant pouring for whole driver and lamp plastic housing.
- Long lifespan and good heat dissipation.
- Direct replacement for Metal Halide, easy installation.
- Fits many different fixtures to replace traditional lamps.

## NOTICE FOR USER

- ◆ Please turn off power before install or change assembly parts.
- ◆ The input voltage and lamps should be matched, after connecting the power line, Please make sure the wiring section is insulated.
- ◆ Make sure to remove or bypass the ballast in the fixtures before install the lamps.
- ◆ Suitable for damp locations. Do not use with dimmers.
- ◆ Suitable for use in enclosed luminaires, min. lamp compartment dimensions: 450\*280\*280MM.
- ◆ No-professionals, must not install and disassemble the lamps.

## APPLICATION

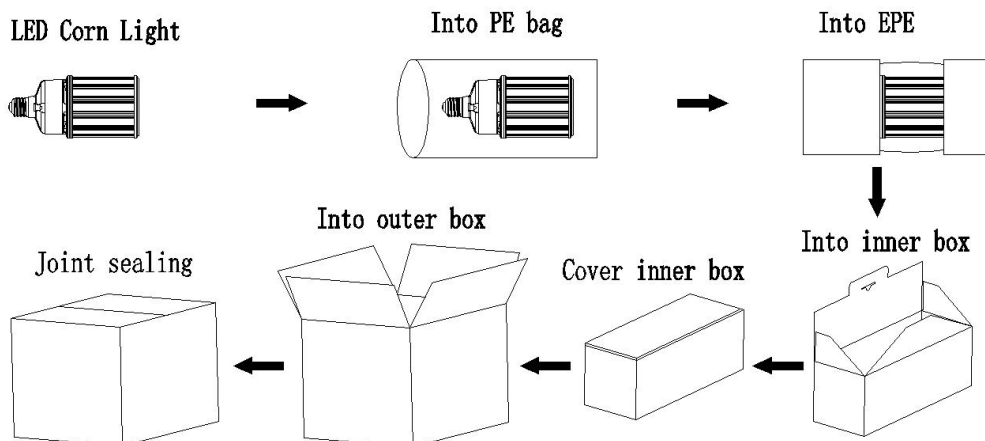
- Replacement Lamps for High Bay Luminaires (Type B).

## SPECIFICATIONS

<b>OPTICAL</b>	Input Power	80W
	Lumen	8400-10000 LM
	Lumen Efficacy	105-125 LM/W
	Color Temperature	3000K, 3500K, 4000K, 5000K, 5700K
	CRI	>80
	Viewing Angle	130 Degree
<b>ELECTRICAL</b>	Input Voltage	100-277VAC 50/60Hz
	PF	≥0.9
	THD	≤20%
	Equivalent	150W CFL, 250W MHL/HPS/HID
<b>MATERIALS</b>	LED Brand	Hongli
	LED Type	SMD2835
	LED QTY	240 PCS
	Housing	PC + Aluminum
	Housing Color	Any Colors
	Cover	Clear
<b>OTHERS</b>	Operating Temperature	-40°C TO 45°C
	Operating Humidity	20%-70% RH
	Storage Temperature	-40°C TO 80°C
	Storage Humidity	10%-75% RH
	Warranty Time	5 Years

## PACKAGE

	Size	Qty / Carton	Net Weight / Carton	Gross Weight / Carton
Inner box	310*165*165 MM	1 PC	1.48 KG	1.6 KG
Outer box	510*345*330 MM	6 PCS	8.9 KG	10.6 KG



## DISTRIBUTION TESTING PARAMETERS

Remark: The testing data comes from the product in luminaires.

## Photometric Results

CIE Class: Direct

Measurement Flux: 9742.4 lm

Downward Ratio: 100%

Horizontal Diffuse Angle(10%,50%): H160.9,H127.4

Vertical Diffuse Angle(10%,50%): V161.1,V127.7

Luminaire Efficacy Rating (LER): 117.11

Max. Intensity: 2988.5 cd

S/MH(C0/C180): 1.95

Total Rated Lamp Lumens: 9742.4 lm

Efficiency: 100%

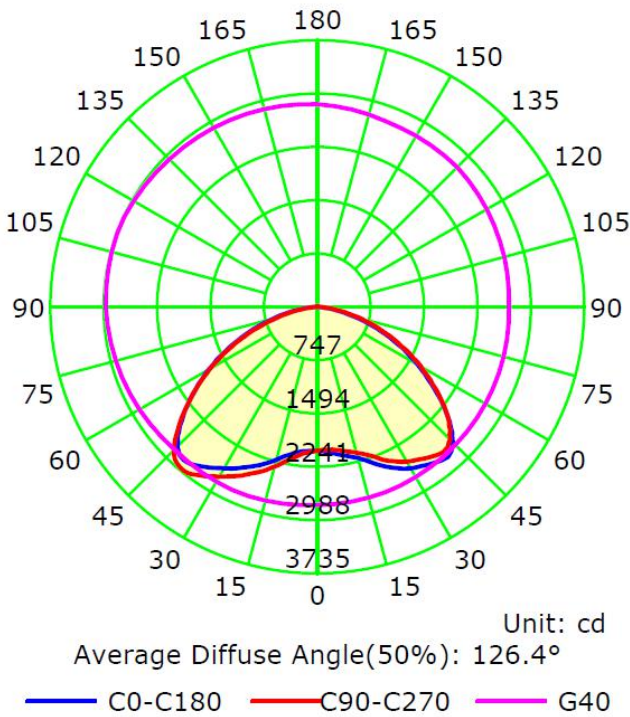
Upward Ratio: 0%

Central Intensity: 2017.22 cd

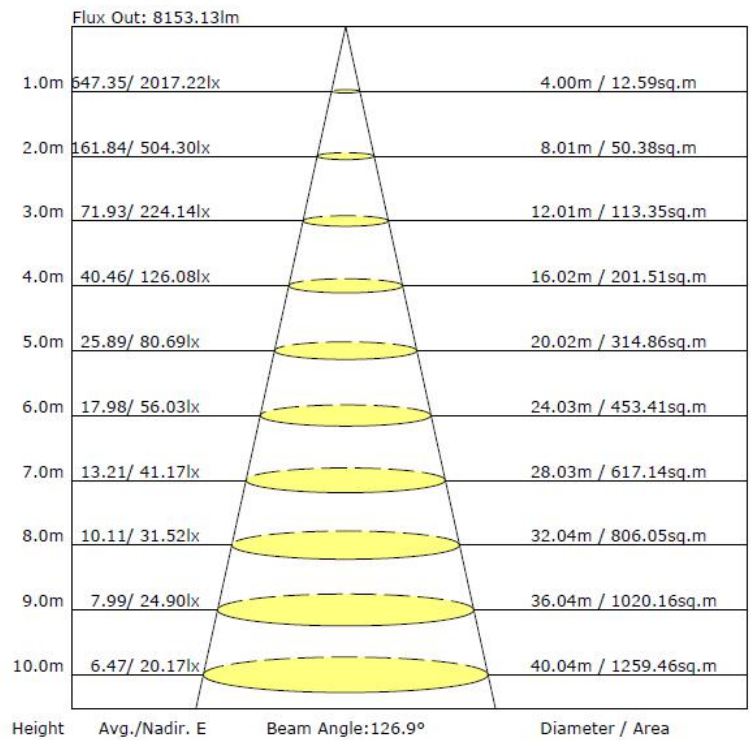
Pos of Max. Intensity: H247.5 V40

S/MH(C90/C270): 1.95

Luminous Intensity Distribution Curve



The Average Illuminance Effective Figure



## TROUBLE SHOOTINGS

Troubles	Check points
Flickering of the light	Turn off the power and turn on again in 3 minutes. If same phenomena occur, then call agencies.
Out of working	Please check the connection.