

NAME: LED Retrofit Kit

P/N: GT-CBH-27W 1A1-Y

Note : The Letter Y in P/N stands for Lamp base type, " -E" for E39 lamp base, " -EX" for EX39 lamp base.

Advantage

- UL、CUL、DLC certificate
- LUMILEDS chip, high CRI.
- 90*150 degree.
- Internal driver, input voltage AC100-277V.
- E39、EX39 lamp base.
- Lamp Base: 270 degree rotated.
- New style and high efficient wide-range input.
- Long lifespan and good heat dissipation.
- Direct replacement for Metal Halide, easy Installation.
- Fits many different fixtures to replace traditional lamps.

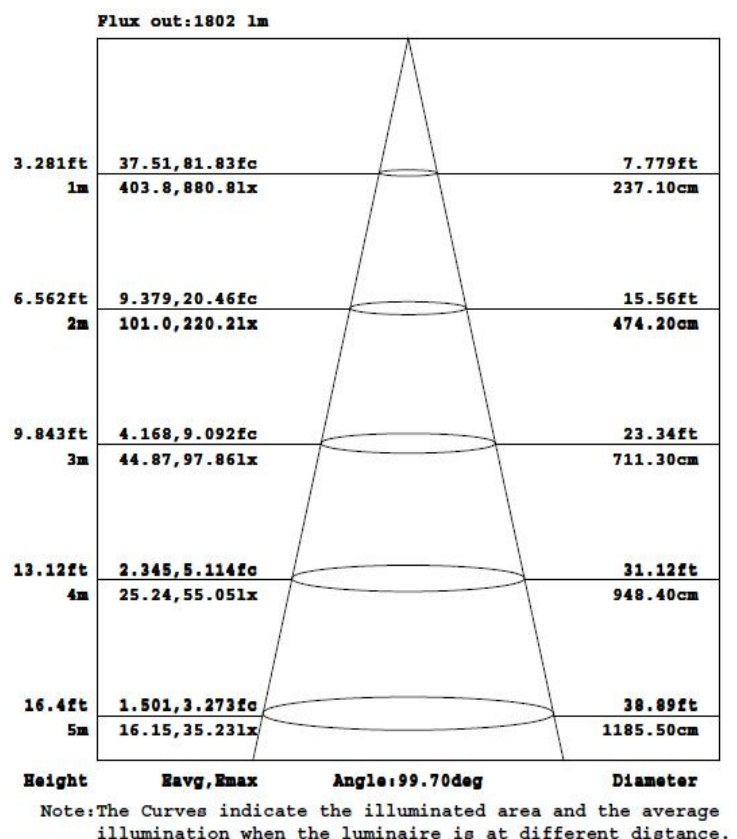
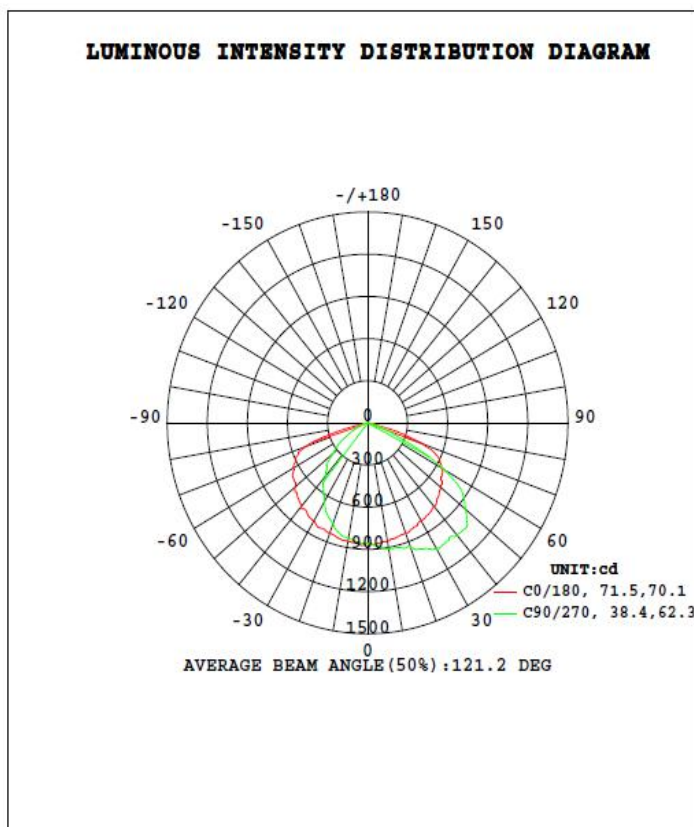
Application

Replacement Lamps for Outdoor Pole/Arm-mounted Area and Roadway Luminaires(Type B).

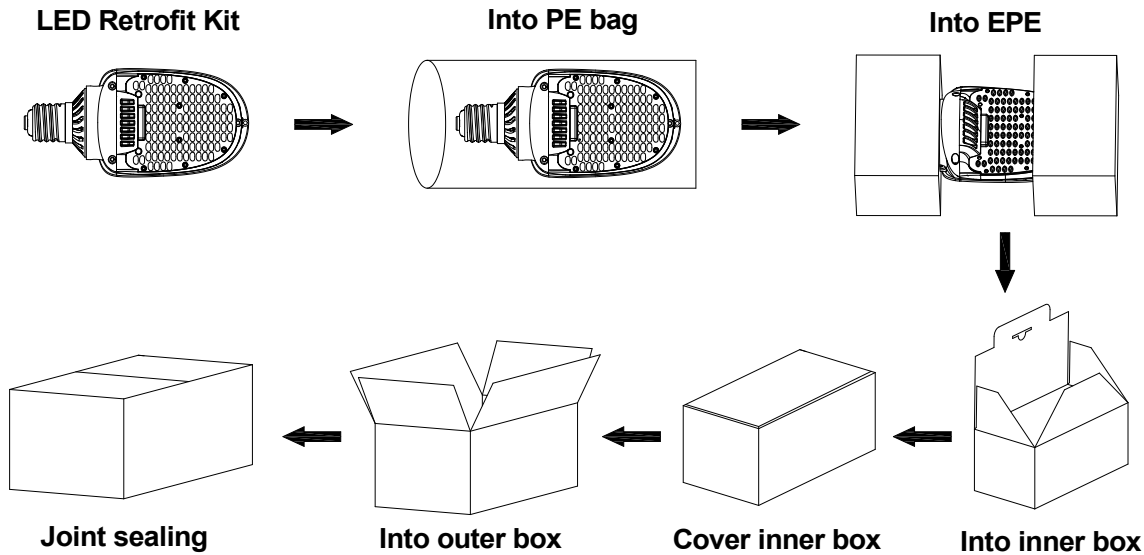
PRODUCT SPECIFICATIONS		
Product name	LED Retrofit Kit	
Part No	GT-CBH-27W1A1-E 39	GT-CBH-27W1A1-EX39
Lamp Base	E39	EX39
Dimension	243*113*80 MM	245*113*80 MM
Technical Characteristic		
Color temperature	4000K、5000K、5700K	
CRI	> 70	
Lumen-In Luminaires	3000-3300 LM	
Lumen Efficacy-In Luminaires	110-120 LM/W	
Input Power	27W	
Viewing Angle	90*150degree	
Input Voltage	AC100-277V 50/60Hz	
PF	>0.9	
Equivalent	60W CFL , 100W MHL/HPS/HID	
Waterproof Rating	IP51	
MATERIALS		
LED Brand	LUMILEDS	
LED Type	LUXEON 3030 2D (1.5W)	
LED QTY	56 PCS	
Housing	Magnesium Alloy+AL+PC	
Housing color	Black+Silver	
OTHERS		
Operating Temperature	-20°C TO 45°C	
Operating Humidity	20%-70% RH	
Storage Temperature	-30°C TO 80°C	
Storage Humidity	10%-75% RH	
Application	Replacement Lamps for Outdoor Pole/Arm-mounted Area and Roadway Luminaires	
Safety Certification	UL、CUL、DLC	
Warranty Time	5 Years	

Remark: The testing data comes from the product in luminaires.

DATA OF LAMP		PHOTOMETRIC DATA Eff: 117.07 lm/W			
MODEL		I _{max} (cd)	1066	S/MH (C0/180)	1.42
NOMINAL POWER (W)	27	LOR (%)	100.0	S/MH (C90/270)	1.14
RATED VOLTAGE (V)	120	TOTAL FLUX (lm)	3032.0	η UP, DN (C0-180)	0.0, 63.1
NOMINAL FLUX (lm)	3032.05	CIE CLASS	DIRECT	η UP, DN (C180-360)	0.0, 36.9
LAMPS INSIDE	1	η up (%)	0.0	CIBSE SHR NOM	1.50
TEST VOLTAGE (V)	120.0	η down (%)	100.0	CIBSE SHR MAX	1.55



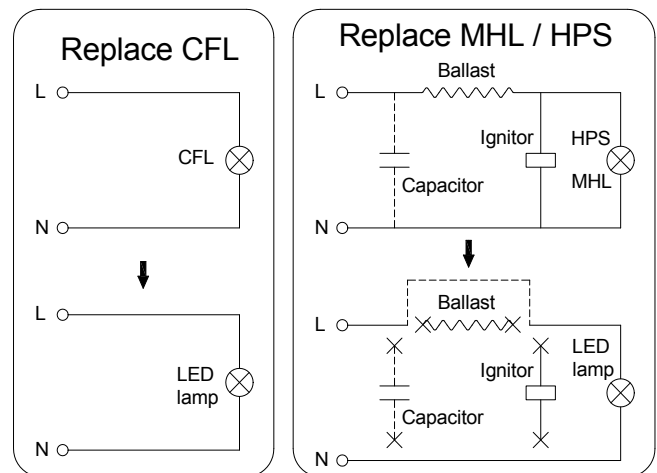
Package



	Size	Qty/ Carton	Net Weight/ Carton	Gross Weight/ Carton
Inner box	290*135*105 MM	1 PC	0.72 KG	0.88 KG
Outer box	560*310*235 MM	8 PCS	5.7 KG	7.8 KG

Notice For User

- Please turn off power before install or change assembly parts.
- The input voltage and lamps should be matched, after connecting the power line, please make sure the wiring section is insulated.
- Make sure to remove or bypass the ballast in the fixtures before install the lamps.
- Suitable for damp locations. Do not use with dimmers.
- Suitable for use in enclosed luminaires, min. lamp compartment dimensions: 340*200*200MM.
- No-professionals, must not install and disassemble the lamps.



Trouble Shootings

Troubles	Check points
Flickering of the lamps	Turn off the power and turn on again in 3 minutes. If same phenomena occur, then call agencies
Out of working	Please check the connection