

**GREENTEK ENERGY SYSTEMS, LLC**

www.greentekes.com



P/N: GT-CB9-80W-LBC-adCCTDW

Note:

GT = Company name

CB9= Product series, LED Corn Lamp

80W = Rating Power,

L=AC120-277V,

B= LED manufacturer, "B" for Lumileds 2835.

C = Cover type, "C" for Clear cover;

a= Lamp base type for E26,E39 ,EX39.

d = Dimming type: "C" for Continuous dimming, "S" for Segmented dimmer.

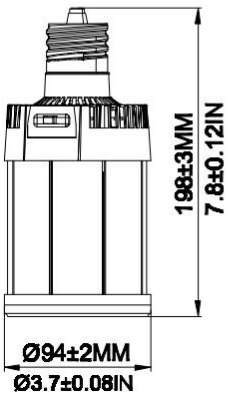
CCT= represents for select CCT 30/40/50K;

D =represents for CCT Switch Assembly provided "D" Stand for CCT tunable

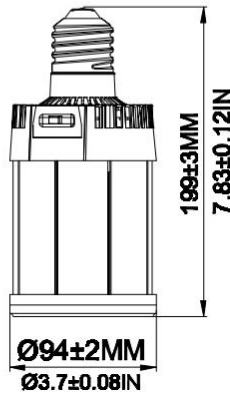
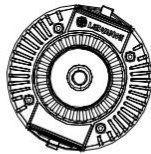
W=represents for wattage Switch Assembly provided "W" Stand for wattage tunable.

## DIMENSIONS

### EX39



### E39



## ADVANTAGE

- UL certificate.
- E39/EX39 lamp base.
- Lumileds Chip, high CRI.
- Internal driver, input voltage 120-277VAC.
- Meet 6kV surge immunity level.
- Direct replacement for Metal Halide, easy installation.
- Fits many different fixtures to replace traditional lamps.
- Two dimming options are available, continuous dimming or segmented dimmer
- Long lifespan and good heat dissipation ,With Sunon fan

## NOTICE FOR USER

- Please turn off power before install or change assembly parts.
- The input voltage and lamps should be matched.
- No-professionals, must not install and disassemble the lamps.
- Suitable for damp locations. Do not use with dimmers.
- Make sure to remove or bypass the ballast in the fixtures before install the lamps.
- Suitable for use in enclosed luminaires, min. luminaires compartment dimensions: 420\*220\*220 MM.

## APPLICATION

- Replacement Lamps for Outdoor
- Pole/Arm-mounted Decorative Luminaires(Type B)

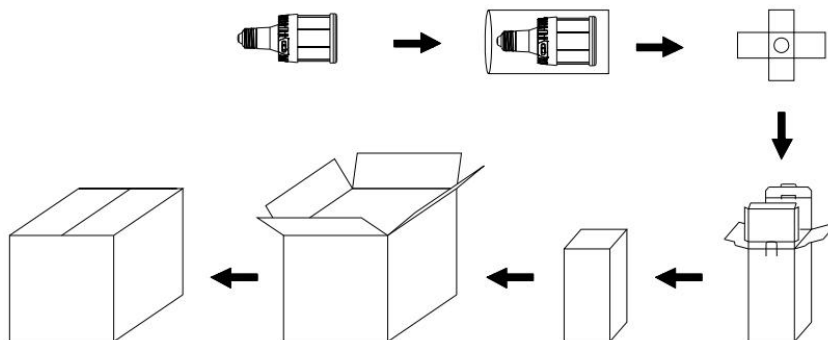
## SPECIFICATIONS

<b>OPTICAL</b>	Input Power (Tolerance : ±10%)	80W(40W/60W/80W via switch)		
	Color Temperature (Color Tunable)	3000K	4000K	5000K
	Lumen (Tolerance : ±10%)	11000LM	12800LM	11600LM
	Efficacy (Tolerance : ±3%)	140LM/W	157 LM/W	153LM/W
	CRI	>80		
	Color Consistency	<7 Steps (or <7 SDCM)		
	Diffuser Type	Clear PC		
	Beam Angle (50%) (Tolerance : ±25%)	280 Degree		
<b>ELECTRICAL</b>	Input Voltage and Frequency	120-277VAC, 50/60Hz		
	PF (Tolerance : -3%)	≥0.9		
	THD (Tolerance : +5%)	≤20%		
	Flicker Percent	<30%		
	Driver Surge protection	L-N: 6kV		
	Dimmable	0-10V dimming standard (through manual knob on the lamp)		
	Equivalent	150W CFL, 250W MHL/HPS/HID		
<b>MATERIALS</b>	LED Brand	Lumileds		
	LED Type	SMD2835		
	LED QTY	198 pcs of 3000K + 198 pcs of 5000K		
	Housing	PC + Aluminum		
	Housing Color	Any colors		
	Waterproof Rating	DAMP		
<b>OTHERS</b>	Operating Temperature	-40°C TO 50°C		
	Storage Temperature	-40°C TO 80°C		
	Operating Humidity	20% - 70% RH		
	Storage Humidity	10% - 75% RH		
	Warranty	5 years		

## PACKAGE

	Carton Size	Qty / Carton	Net Weight / Carton	Gross Weight /
Inner Carton	100*100*240MM/4*4*9.45IN	1 PC	0.58 KG/1.28lb	0.66KG/1.46lb
Outer Carton	420*320*255MM/16.5*12.6*10IN	12 PCS	7KG/15.4lb	9KG/19.8lb

Tolerance of Outer Carton Size: ±15 MM/±0.59IN, Tolerance of Weight: ±10%.



## LIGHT DISTRIBUTION TESTING PARAMETERS < Clear PC >

Remark: The testing data comes directly from the product test.

### Luminaire Property

Luminaire Manufacturer:

Voltage: 277.8 V

Power: 75.36 W

Current: 0.289 A

Power Factor: 0.940

### Photometric Results

CIE Class: General Diffuse

Measurement Flux: 11840.8 lm

Downward Ratio: 55%

Horizontal Diffuse Angle(10%,50%): H330.3,H284.3

Vertical Diffuse Angle(10%,50%): V331.2,V285

Luminaire Efficacy Rating (LER): 157.17

Max. Intensity: 1204.16 cd

S/MH(C0/C180): 2.59

Total Rated Lamp Lumens: 11840.8 lm

Efficiency: 100%

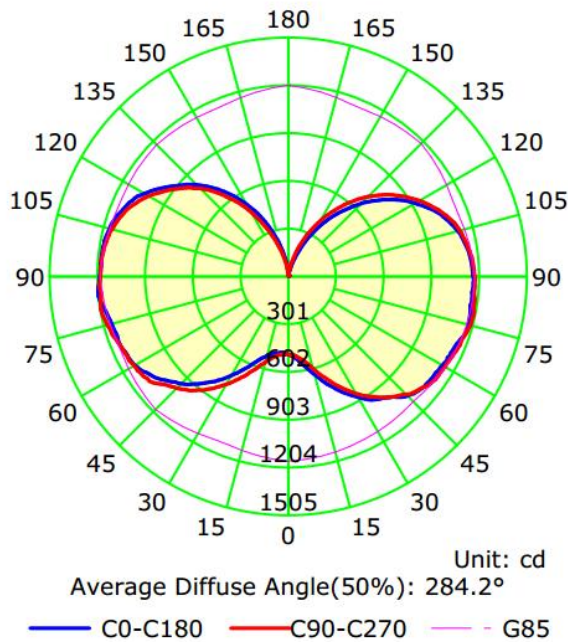
Upward Ratio: 45%

Central Intensity: 492.71 cd

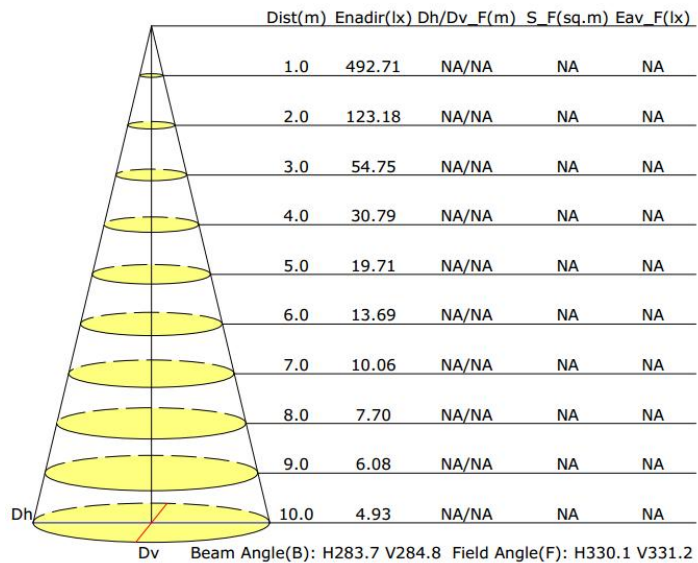
Pos of Max. Intensity: H180 V85

S/MH(C90/C270): 2.63

Luminous Intensity Distribution Curve



Illuminance at a Distance(Field Angle)



### TROUBLE SHOOTINGS

Troubles	Check points
Flickering of the light	Turn off the power and turn on again in 3 minutes. If same phenomena occur, then call agencies.
Out of working	Please check the connection.