

GREENTEK ENERGY SYSTEMS, LLC

www.greentekes.com



P/N: GT-CB9-35W-LBC-E26SCCTDW

Note:

GT = Company name

CB9= Product series, LED Corn Lamp

35W = Rating Power,

L=AC120-277V,

B= LED manufacturer, "B" for Lumileds 2835.

C = Cover type, "C" for Clear cover;

E26 = E26 Lamp base type

S=Segmented dimmer;

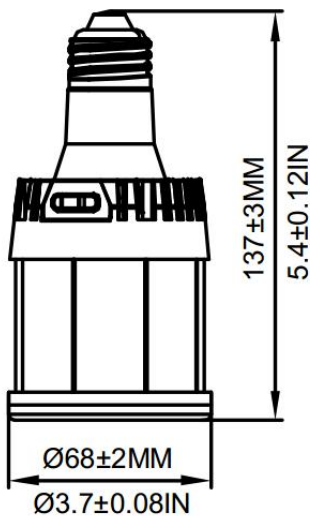
CCT= represents for select CCT 30/40/50K;

D =represents for CCT Switch Assembly provided "D" Stand for CCT tunable

W=represents for wattage Switch Assembly provided "W" Stand for wattage tunable.

DIMENSIONS

E26



ADVANTAGE

- UL certificate.
- E26/E39/EX39 lamp base.
- Lumileds Chip, high CRI.
- Internal driver, input voltage 122-277VAC.
- Meet 4kV surge immunity level.
- Direct replacement for Metal Halide, easy installation.
- Fits many different fixtures to replace traditional lamps.
- Two dimming options are available, continuous dimming or segmented dimmer
- Long lifespan and good heat dissipation ,With Sunon fan

NOTICE FOR USER

- Please turn off power before install or change assembly parts.
- The input voltage and lamps should be matched.
- No-professionals, must not install and disassemble the lamps.
- Suitable for damp locations. Do not use with dimmers.
- Make sure to remove or bypass the ballast in the fixtures before install the lamps.
- Suitable for use in enclosed luminaires, min. Luminaires compartment dimensions: 420*210*210 MM.

APPLICATION

- Replacement Lamps for Outdoor
- Pole/Arm-mounted Decorative Luminaires(Type B)

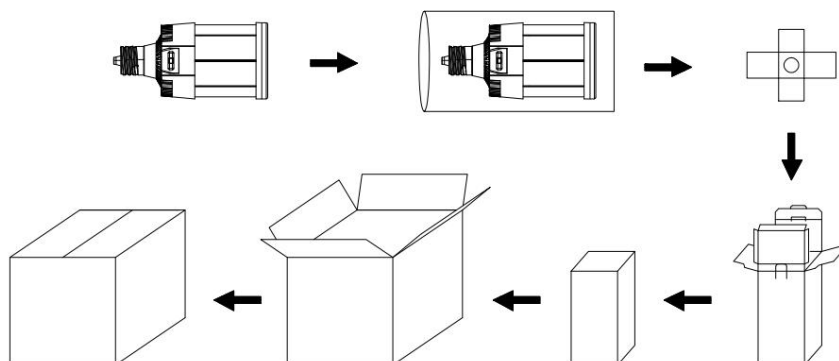
SPECIFICATIONS

OPTICAL	Input Power (Tolerance : ±10%)	35W(18W/26W/35W via switch)		
	Color Temperature (Color Tunable)	3000K	4000K	5000K
	Lumen (Tolerance : ±10%)	4850LM	5250LM	5000M
	Efficacy (Tolerance : ±3%)	140LM/W	150LM/W	145M/W
	CRI	>80		
	Color Consistency	<7 Steps (or <7 SDCM)		
	Diffuser Type	Clear PC		
	Beam Angle (50%) (Tolerance : ±25%)	280Degree		
ELECTRICAL	Input Voltage and Frequency	120-277VAC, 50/60Hz		
	PF (Tolerance : -3%)	≥0.9		
	THD (Tolerance : +5%)	≤20%		
	Flicker Percent	<30%		
	Driver Surge protection	L-N: 4kV		
	Dimmable	0-10V dimming standard (through manual knob on the lamp)		
	Equivalent	80W CFL, 150W MHL/HPS/HID		
MATERIALS	LED Brand	Lumileds		
	LED Type	SMD2835		
	LED QTY	108 pcs of 3000K + 108 pcs of 5000K		
	Housing	PC + Aluminum		
	Housing Color	Any colors		
	Waterproof Rating	DAMP		
OTHERS	Operating Temperature	-40°C TO 50°C		
	Storage Temperature	-40°C TO 80°C		
	Operating Humidity	20% - 70% RH		
	Storage Humidity	10% - 75% RH		
	Warranty	5 years		

PACKAGE

	Carton Size	Qty /	Net Weight / Carton	Gross Weight / Carton
Inner Carton	75*75*180 MM/2.95*2.95*7IN	1 PC	0.22KG/0.48lb	0.24KG/0.53lb
Outer Carton	395*320*195 MM/15.6*12.6*7.7IN	12 PCS	2.9KG/6.4lb	4.12KG/9.1lb

Tolerance of Outer Carton Size: ±15 MM/±0.59IN, Tolerance of Weight: ±10%.



LIGHT DISTRIBUTION TESTING PARAMETERS < Clear PC >

Remark: The testing data comes directly from the product test.

Luminaire Property

Luminaire Manufacturer:

Voltage: 120.4 V

Power: 35.06 W

Current: 0.294 A

Power Factor: 0.990

Photometric Results

CIE Class: General Diffuse

Measurement Flux: 5270.2 lm

Downward Ratio: 54%

Horizontal Diffuse Angle(10%,50%): H332,H286.9

Vertical Diffuse Angle(10%,50%): V329.7,V287.3

Luminaire Efficacy Rating (LER): 150.37

Max. Intensity: 542.24 cd

S/MH(C0/C180): 2.82

Total Rated Lamp Lumens: 5270.2 lm

Efficiency: 100%

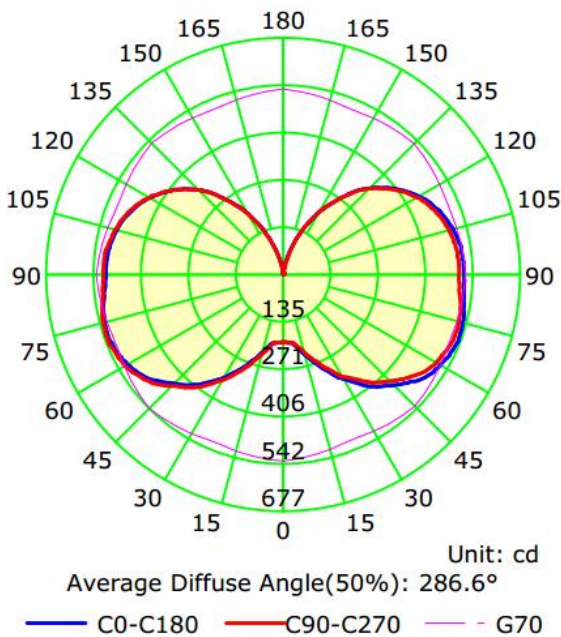
Upward Ratio: 46%

Central Intensity: 193.84 cd

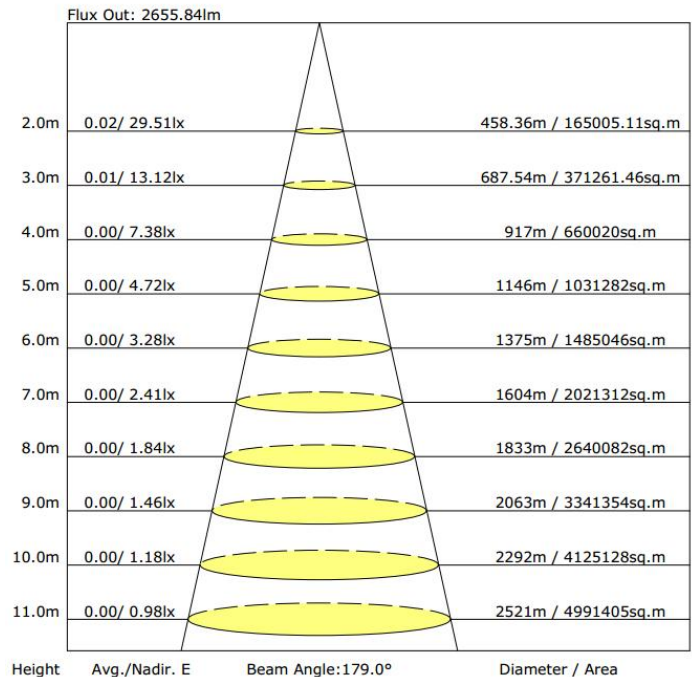
Pos of Max. Intensity: H315 V70

S/MH(C90/C270): 2.80

Luminous Intensity Distribution Curve



The Average Illuminance Effective Figure



TROUBLE SHOOTINGS

Troubles	Check points
Flickering of the light	Turn off the power and turn on again in 3 minutes. If same phenomena occur, then call agencies.
Out of working	Please check the connection.