



GREENTEK ENERGY SYSTEMS, LLC

www.greentekes.com



P/N: GT-CB8-200WBCZA1-acK

Note:

GT= Company name

CB8= Product series, LED Corn Light

200W = Rating Power

B = LED manufacturer,

C= diffuser types for clear type

Z=Sensor type. "N"for none sensor,with interface of dimming connection, "M"for motion Microwave sensor, "P"for Motion PIR sensor,"W" for Continuous dimming knob.

A1 = Version number.

a= the lamp base type, can be E39 or EX39

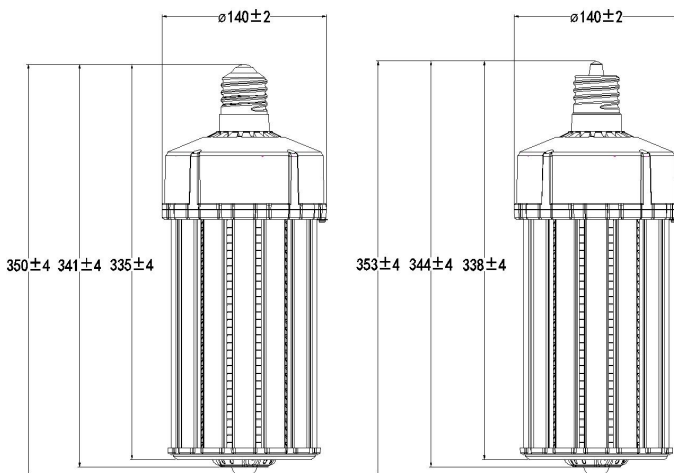
cK= CCT,can be any two digital, like

40K=4000K, 50K=5000K, 65K=6500K.

DIMENSIONS

E39

EX39



NOTICE FOR USER

- Please turn off power before installation or changing any assembly parts.
- The input voltage and lamps should be matched, after connecting the power line, please make sure the wiring section is insulated.
- Make sure to remove or bypass the ballast in the fixtures before install the lamps.
- Suitable for damp locations.
- Recommended for use in an open environment.
- No-professionals must not install or disassemble the lamps.

ADVANTAGE

- UL DLC certificate.
- E39 EX39 lamp base.
- 360 degree lighting.
- Can be with clear or frosted cover.
- Internal driver, input voltage AC120-277V.
- Meet 4KV surge immunity level
- Long lifespan and good heat dissipation ,With fan
- Direct replacement for Metal Halide, easy installation.
- Two dimming modes optional, continuous dimming, sensor dimming.
- Motion microwave sensor or motion PIR sensor optional, 0-10V continuous dimming.
- Fits many different fixtures to replace traditional lamps.

APPLICATION

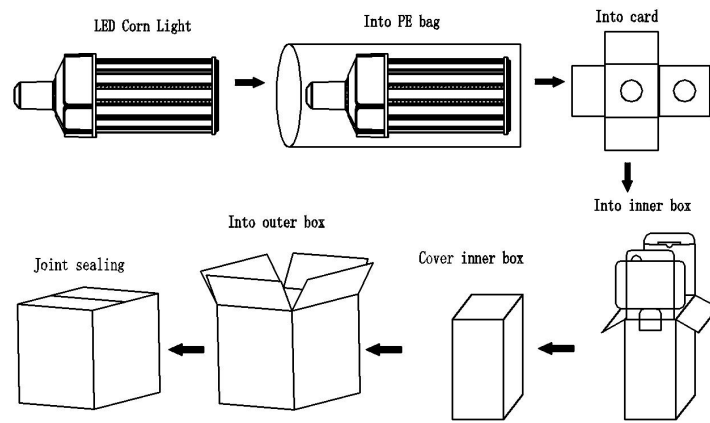
- Widely used in supermarket, warehouse, garage, home, office, hotel, hospital, school, street, garden etc.

SPECIFICATIONS

OPTICAL	Input Power (Tolerance : ±10%)	200W (200W/170W/150W via switch)
	Color Temperature	4000K~6500K
	Lumen (Tolerance : ±10%)	24400-26000LM
	Efficacy (Tolerance : ±3%)	122-130LM/W
	CRI	>80
	Color Consistency	<6 Steps (or <6 SDCM)
	Diffuser Type	clear or frosted PC
	Viewing Angle (Tolerance : ±25%)	360 Degree
ELECTRICAL	Input Voltage and Frequency	120-277VAC 50/60Hz
	PF (Tolerance : -3%)	≥0.9
	THD (Tolerance : +5%)	≤20%
	Flicker Percent	<5%
	Driver Surge protection	L-N: 4kV
	Dimmable	0-10V dimming standard (through manual knob on the lamp)
	Sensor Type	Daylight Sensor, Occupancy Sensor, Multifunction Sensor, Integral Sensor Receptacle
	Optional Accessory	Motion Microwave sensor, Motion PIR sensor
	Equivalent	600W MHL/HPS/HID
MATERIALS	LED Brand	Lumileds
	LED Type	SMD2835
	LED QTY	608 PCS
	Housing	PC + Aluminum
	Housing Color	Any Colors
	Waterproof Rating	DAMP (IP64)
OTHERS	Operating Temperature	Without Motion Sensor: -40°C TO 50°C; With Motion Sensor: -30°C TO 50°C
	Operating Humidity	20%-70% RH
	Storage Temperature	-40°C TO 80°C
	Storage Humidity	10%-75% RH
	Warranty Time	5 years

PACKAGE

	Size	Qty / Carton	Net Weight / Carton	Gross Weight / Carton
Inner box	145*145*365 MM	1 PC	1.58 KG	1.78 KG
Outer box	450*305*385MM	6 PCS	9.5 KG	11.5 KG



TROUBLE SHOOTINGS

Troubles	Check points
Flickering of the light	Turn off the power and turn on again in 3 minutes. If same phenomena occur, then call agencies.
Out of working	Please check the connection.