



GREENTEK ENERGY SYSTEMS, LLC  
www.greentekes.com



P/N:GT-AWP-80W-LJH8bcd-afK-Sg

Note:

GT= Company name,

AWP= Product series,

80W= Rating Power,

L=AC120-277V driver,

J=LED manufacturer,Lumileds 2835,

H8=light distribution type,

“b” can be “P” for DC Photocontrol or blank for not provided,

“c” can be “M”, “DP” for DC Motion Sensor, DC PIR Sensor or blank for not provided,

“d” can be “10SP”, “20SP” for Surge-Protective Device or blank for not provided,

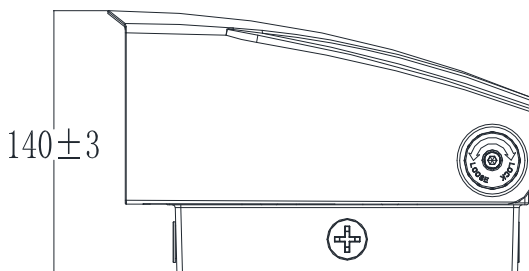
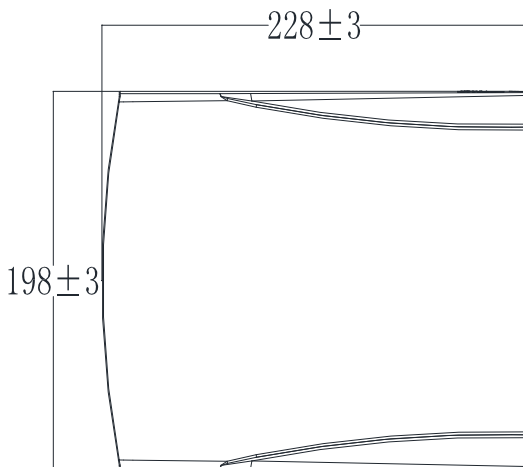
“a” can be any two letters for lamp colors,

“fK” can be any digits for CCT,such as 50K=5000K,

S= single color temperature,

“g” can be “F” or blank for DC Sensor Power Driver provided or not.

## DIMENSIONS



## ADVANTAGE

- UL DLC-V5.1(Premium) certificate.
- Lumileds Chip, high CRI.
- Input voltage 120-277VAC.
- Output constant current lever can be adjusted through output cable with 0-10V.
- No UV or IR in the beam.
- Easy to install and operate.
- Energy saving, long lifespan.
- Light is soft and uniform, safe to eyes.
- Instant start, NO flickering, NO humming.
- Green and eco-friendly without mercury.

## APPLICATION

- entrance lighting, courtyard lighting.
  - Industrial lighting, Outdoor landscape lighting.
  - Building, The hotel.
- Wall lighting area and so on.

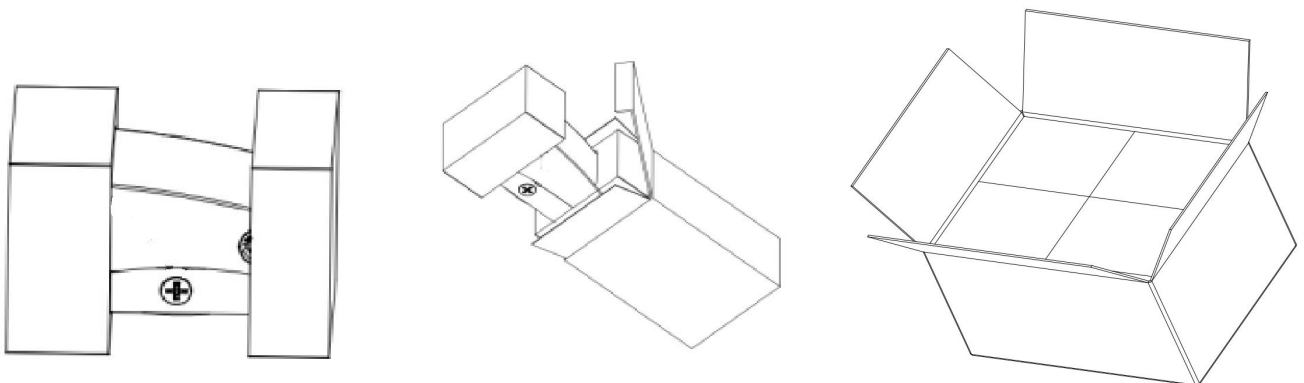
## SPECIFICATIONS

<b>OPTICAL</b>	Input Power (Tolerance : ±10%)	80W		
	Color Temperature	4000K	5000K	5700K
	Lumen (Tolerance : -10%)	11303.6LM	11493.1LM	11758.4LM
	Efficacy (Tolerance : -3%)	135.99LM/W	138.27LM/W	141.89LM/W
	CRI	>80		
	Color Consistency	<7 SDCM		
	BUG	B2-U2-G1		
	Distribution Pattern	PC Lens		
	Beam Angle (50%) (Tolerance : ±15%)	90*110 Degree		
<b>ELECTRICAL</b>	Input Voltage and Frequency	120-277VAC, 50/60Hz		
	PF (Tolerance : -3%)	≥0.9		
	THD (Tolerance : +5%)	≤20%		
	Flicker Percent	<80%		
	Driver Brand	DAERMAY		
	Driver Model	MP-080TG130A		
	Driver Surge protection	L/N-PE: 6kV, L-N: 6kV		
	Dimming	0-10V dimming standard		
	Optional Accessory	Photocontrol, Surge-protective Device, Motion Sensor, Auxiliary		
<b>MATERIALS</b>	LED Brand	Lumileds		
	LED Type	SMD2835		
	LED QTY	130 PCS		
	Housing	Die-cast aluminum		
	Housing Color	Brown, Black, or Customized		
	Waterproof Rating	WET (IP65)		
<b>OTHERS</b>	Operating Temperature	-40°C TO 50°C, Sensor : -25°C TO 50°C		
	Storage Temperature	-40°C TO 80°C		
	Operating Humidity	20% - 90% RH		
	Storage Humidity	10% - 95% RH		
	Warranty	5 years		

## PACKAGE

	Carton Size	Qty / Carton	Net Weight / Carton	Gross Weight / Carton
Outer box	509*274*396 mm	4PCS	10.1 KG	10.9 KG
Inner box	259*247*188 mm	1 PC	2.2 KG	2.52 KG

Tolerance of Carton Size: ±15 MM, Tolerance of Weight: ±10%.



## LIGHT DISTRIBUTION TESTING PARAMETERS

### Luminaire Property

Luminaire Manufacturer:  
 Luminaire Category:  
 Lamp Catalog:  
 Number of Lamps:  
 Luminous Length (mm):  
 Luminous Height (mm):  
 Current: 0.698 A  
 Power Factor: 0.995

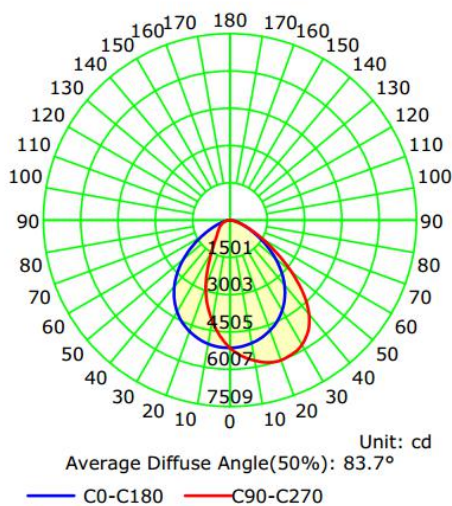
Luminaire Description:  
 Lamp Description:  
 Lumens per Lamp:  
 Luminous Width (mm):  
 Voltage: 120.0 V  
 Power: 83.37 W

### Photometric Results

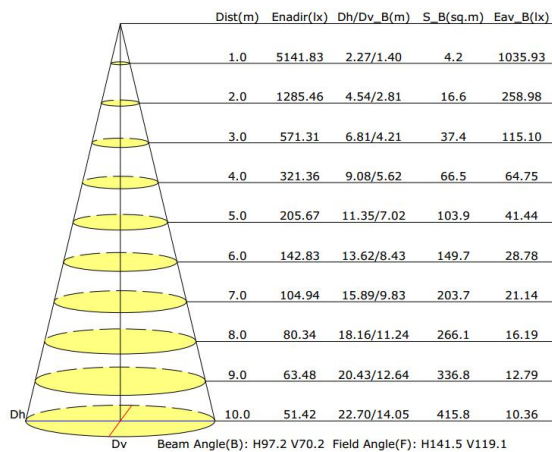
IES Classification: Type II  
 Total Rated Lamp Lumens: 11076.2 lm  
 Efficiency: 100%  
 Upward Ratio: 0%  
 C0r0 Intensity: 5141.83 cd  
 Pos of Max. Intensity: H90 V19  
 Beam Angle(C0/C180,C90/C270,C45/C225,C135/315): 97.2, 70.2, 82.5, 80.5

Longitudinal Classification: Very Short  
 Measurement Flux: 11076.2 lm  
 Downward Ratio: 100%  
 Luminaire Efficacy Rating (LER): 132.91  
 Max. Intensity: 6007.43 cd

Luminous Intensity Distribution Curve



Illuminance at a Distance



### NOTICE FOR USER

- Please turn off power before install or change assembly parts.
- The input voltage and lamps should be matched, after connecting the power line, Please make sure the wiring section is insulated.
- No-professionals, must not install and disassemble the lamps.

### TROUBLE SHOOTINGS

Troubles	Check points
Flickering of the light	Turn off the power and turn on again in 3 minutes. If same phenomena occur, then call agencies.
Out of working	Please check the connection.