

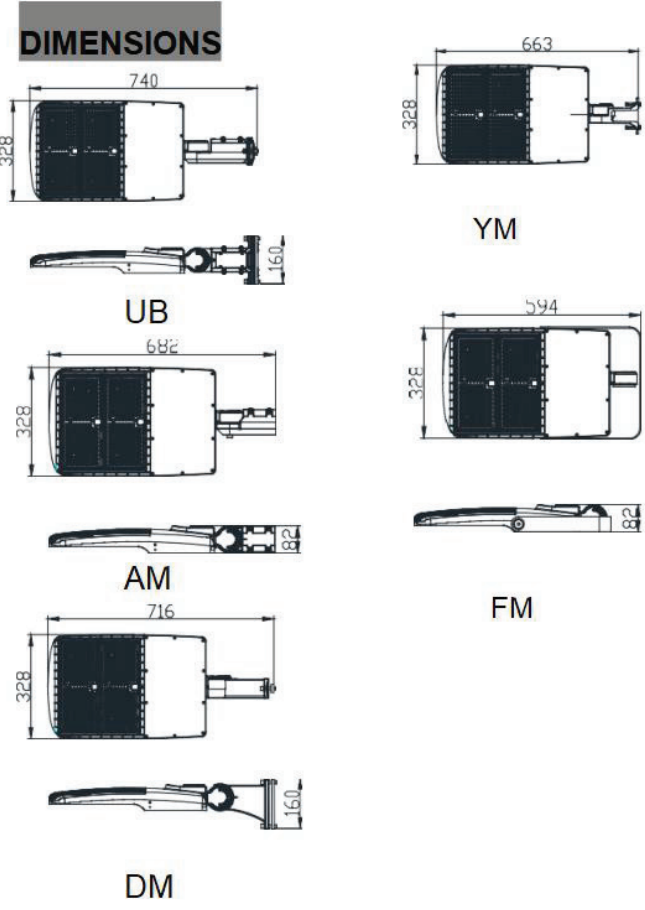


**GREENTEK ENERGY SYSTEMS, LLC**  
[www.GreentekEnergySystems.com](http://www.GreentekEnergySystems.com)



**P/N:GT-AL2-300W-N-DLgb[M;Blank]fJ3-ahKe**  
**g**=can be any letter for Surge protector provided or blank for none;  
**b**= can be any letters for Photocontrol provided situation or blank for none;  
**[M;Blank]**= can be “M” for AC motion sensor type provided or blank for none;  
**f**=can be any letters or blank, such as “Z”, “ZP”, “ZM” or blank, “Z” = DC Sensor Receptacle provided, “ZP” = DC Sensor Receptacle and DC photocontrol provided, “ZM” = DC Sensor Receptacle and DC motion sensor provided, blank = no DC Sensor Receptacle provided;  
**a**=housing color can be any two letters;

**hK**=CCT, such as  
 30K=3000K, 35K=3500K, 40K=4000K,  
 45K=4500K, 50K=5000K, 57K=5700K,  
**e**=Mount type ,such as “AM”, “DM”, “YM”, “UB”, or “FM”.



**ADVANTAGE**

- UL cUL DLC certificate.
- Bridgelux Chip, high CRI.
- IP65 driver, input voltage 120-277VAC.
- Output constant current lever can be adjusted through output cable with 0-10V.
- No UV or IR in the beam.
- Easy to install and operate.
- Energy saving, long lifespan.
- Light is soft and uniform, safe to eyes.
- Instant start, NO flickering, NO humming.
- Green and eco-friendly without mercury.

**APPLICATION**

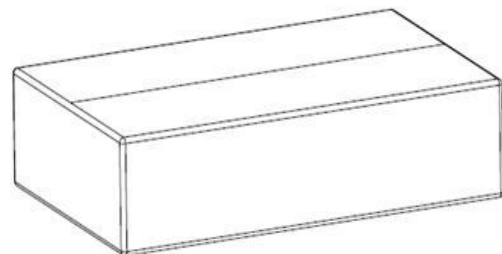
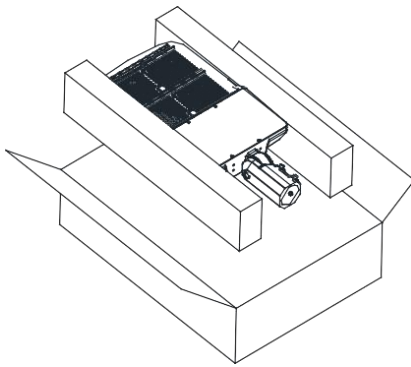
- Outdoor basketball court, tennis court.
- Badminton court, the football field.
- The school playground, stadium.
- Community leisure entertainment plaza, road lamp etc.

## SPECIFICATIONS

<b>OPTICAL</b>	Input Power	300W
	Lumen	37500-40500LM
	Lumen Efficacy	125-135 LM/W
	Color Temperature	3000K,3500K,4000K,4500K,5000K, 5700K
	CRI	>70
	Viewing Angle	160*96 Degree (Type III)
<b>ELECTRICAL</b>	Input Voltage	100-277VAC 50/60Hz
	PF	≥0.9
	THD	≤20%
	Driver Model	Daermay MP-150TG130A*2
	Optional Accessory	P hotocell / S urge protector/ M otion sensor/S ocket/Zhaga interface
<b>MATERIALS</b>	LED Brand	Bridgelux
	LED Type	3030
	LED QTY	340PCS
	Housing	Aluminum Alloy
	Housing Color	Black / Brown/white/Customized
	Waterproof Rating	WET (IP65)
<b>OTHERS</b>	Operating Temperature	-40℃ TO 50℃
	Operating Humidity	10%-90% RH
	Storage Temperature	-40℃ TO 80℃
	Storage Humidity	10%-95% RH
	Warranty Time	5 Years

## PACKAGE

Stent Type	Lamps Net Weight	Size	Qty/ Carton	Weight/ Carton
AM	7.6Kg	755*375*160MM	1	9.0Kg
DM	8.2Kg	755*375*160MM	1	9.6Kg
YM1	7.7Kg	755*375*160MM	1	8.7Kg
UB	8.2Kg	755*375*160MM	1	9.9Kg
FM	8.1Kg	755*375*160MM	1	9.5Kg



## LIGHT DISTRIBUTION TESTING PARAMETERS

### Luminaire Property

Luminaire Manufacturer:

Voltage: 120.1 V

Power: 299.17 W

Current: 2.496 A

Power Factor: 0.998

### Photometric Results

IES Classification: Type III

Total Rated Lamp Lumens: 39716.7 lm

Efficiency: 100%

Upward Ratio: 0%

Central Intensity: 241.79 cd/klm

Pos of Max. Intensity: H10 V69

Longitudinal Classification: Medium

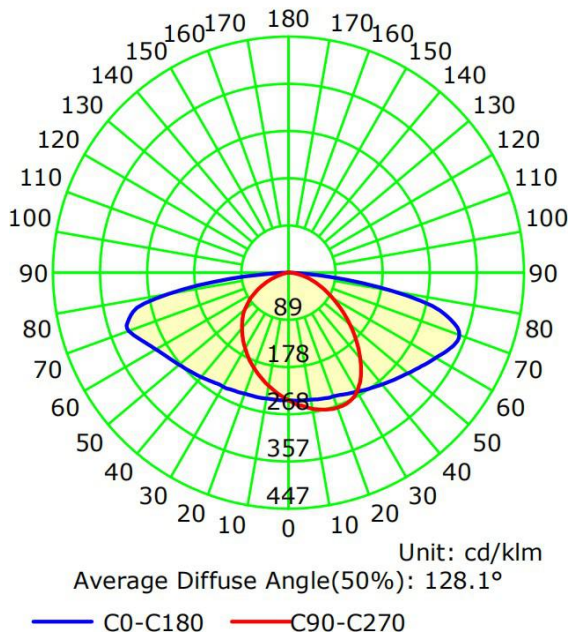
Measurement Flux: 39716.7 lm

Downward Ratio: 100%

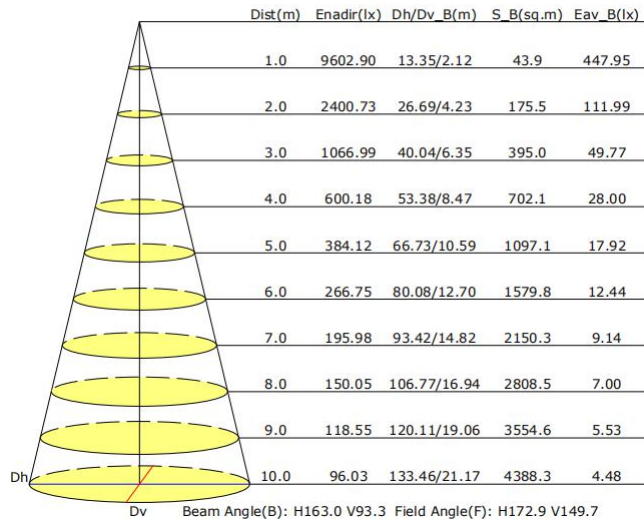
Luminaire Efficacy Rating (LER): 132.81

Max. Intensity: 357.9 cd/klm

Luminous Intensity Distribution Curve



Illuminance at a Distance



### NOTICE FOR USER

- Please turn off power before install or change assembly parts.
- The input voltage and lamps should be matched, after connecting the power line, Please make sure the wiring section is insulated.
- No-professionals, must not install and disassemble the lamps.

### TROUBLE SHOOTINGS

Troubles	Check points
Flickering of the light	Turn off the power and turn on again in 3 minutes. If same phenomena occur, then call agencies.
Out of working	Please check the connection.