

BillDa[®]
EMERGENCY POWER LEADER

IP

65

EMERGENCY LED DRIVER

BLD-RMXXW-R/NAC


100-347Vac

Remote control reception

30W/40W/60W



EMERGENCY LED DRIVER BLD-RMXXW-R/NAC

 **100-347Vac**

30W/40W/60W

 **HIGH VOLTAGE OUTPUT**
175VDC

CP **CONSTANT**
POWER
EMERGENCY OUTPUT

Self  **Test**



On/off control



Stand-by
dimming level



Detection area



Hold time



Daylight sensor




Stand-by period



Remote control
setting



10-15M Highbay
altitude

 **100-347Vac**

30W/40W/60W

**IP
65**



   **RoHS**

The BillDa RMXXW-R/NAC series LED emergency drivers are designed for use with UFO LED high bay fixtures with 0/1-10V dimmable led drivers. It allows the LED UFO high bay to be used for both normal and emergency operation.

EMERGENCY LED DRIVER BLD-RMXXW-R/NAC



- | | | | | | |
|----------|-------------------------|----------|-----------------------------|-----------|------------------|
| 1 | Pipe | 5 | Safety Cable | 9 | Outlet |
| 2 | Water Proof Rubber Ring | 6 | Test Switch Indicator light | 10 | Connecting Rod |
| 3 | Battery | 7 | Junction Box | 11 | UFO LED High bay |
| 4 | Cover | 8 | Junction Box | 12 | Remote Control |

EMERGENCY LED DRIVER BLD-RMXXW-R/NAC

 **100-347Vac**

30W/40W/60W

Features

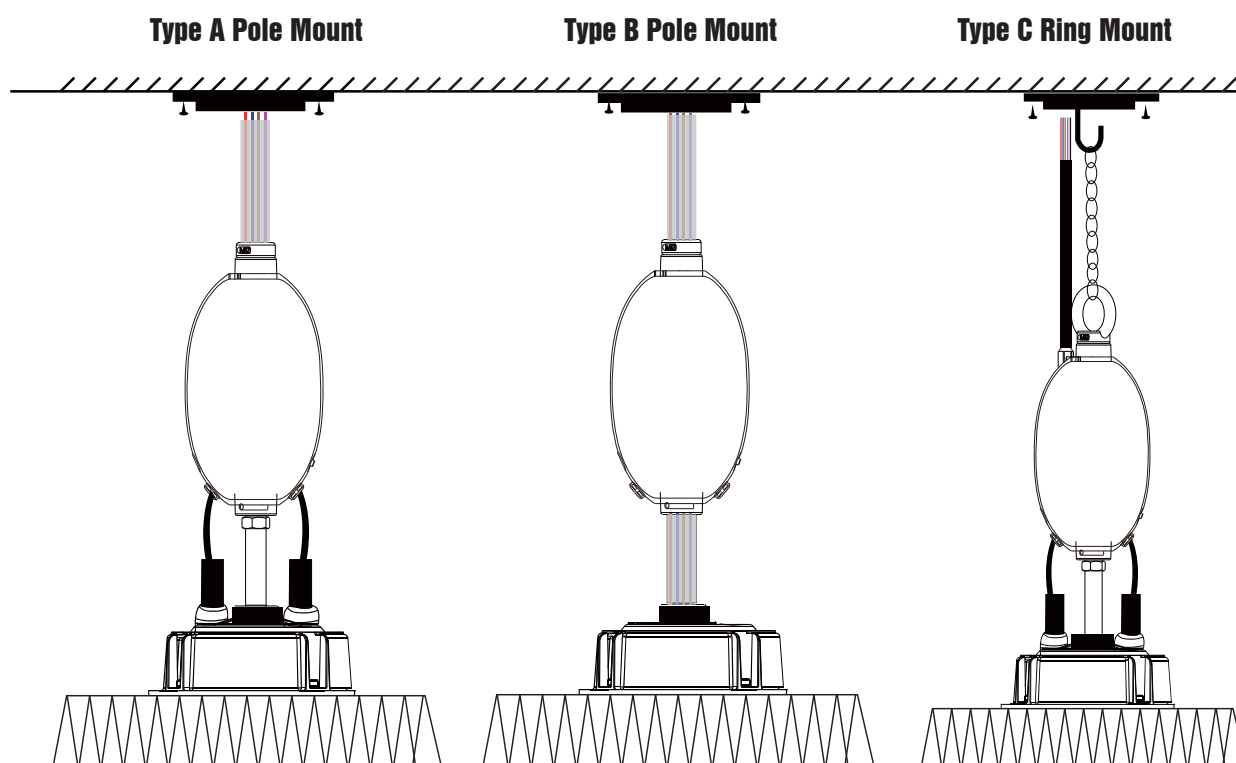
- ◆ High output voltage DC175V, directly connect to LED driver AC input and dimming wires, simple wiring.
- ◆ Constant power output 30W/40W/60W
- ◆ Universal input range, 100-347Vac , 50/60Hz
- ◆ Optimized design for UFO highbay fixture
- ◆ Protection : Over-Voltage,Short-Circuit,Over-Load,Open-Circuit.
- ◆ Self-diagnostic every month and year.
- ◆ Wireless remote control for emergency test
- ◆ UL listed for factory and field installation
- ◆ CEC (CA tile 20) and USA DoE Energy Efficiency.



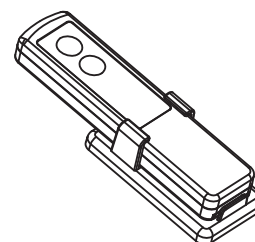
Specifications

Input Voltage	100-347VAC 50/60Hz	Test Switch/Charging Indicator Light	Remote Control
Output Voltage	≤ 175V DC	Battery	Li-ion battery
Input Current	≤ 200mA	Charging time	≥ 24Hours
Input Power	15W	Output power	<input type="checkbox"/> 30W <input type="checkbox"/> 40W <input type="checkbox"/> 60W
Emergency Time	90minutes		
Warranty	5 Years	Weight	
Ambient Temp	0°C to +50°C	Dimensions	

Operation Instructions



Instructions For Remote Control



ON

Testing:

Press the ON button to test emergency function. The light will switch to its emergency lighting and the indicator light will turn off. Press the OFF button, the light will recover to normal lighting.

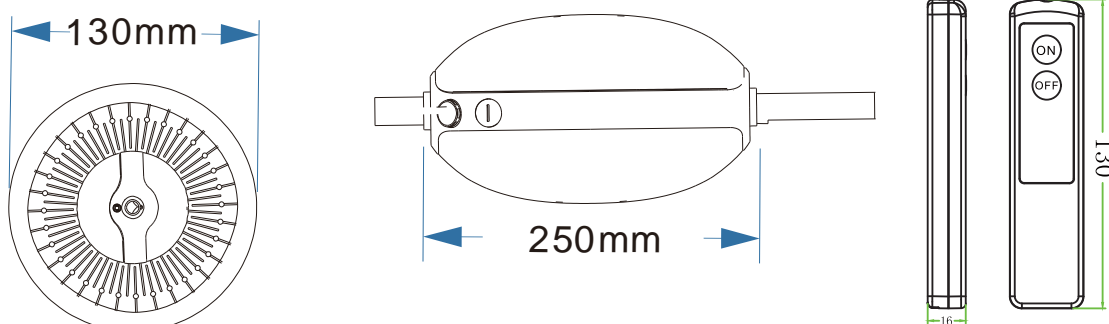
OFF

When mains supply is off (emergency mode), press the OFF button can turn off emergency function.

Please note:

Remote must be pointed at the indicator light and be within a 45 degree angle to receive a signal/command. Remote needs two AAA batteries to operate (not included).

Size





Self-Diagnostic

The integrated self-diagnostic circuitry will automatically conduct monthly 30-min and annual 90-min ute tests to verify proper emergency capability per Life Safety Code requirements.

Press the test button to cut the power to the AC driver and switch the system to emergency mode. Release NFPA 101, Life Safety Code outlines the following schedule.

Monthly - Insure that the test button light is illuminated. Conduct a 30 second discharge test by depressing the test button.

The LED load should operate at reduced output.

Annually - Insure that the test button is illuminated. Conduct a full 90 minute discharge test. The unit should operate as intended for the duration of the test.

Written records of the testing shall be kept by the owner for inspection by the authority having jurisdiction.”

EMERGENCY LED DRIVER

BLD-RMXXW-R/NAC

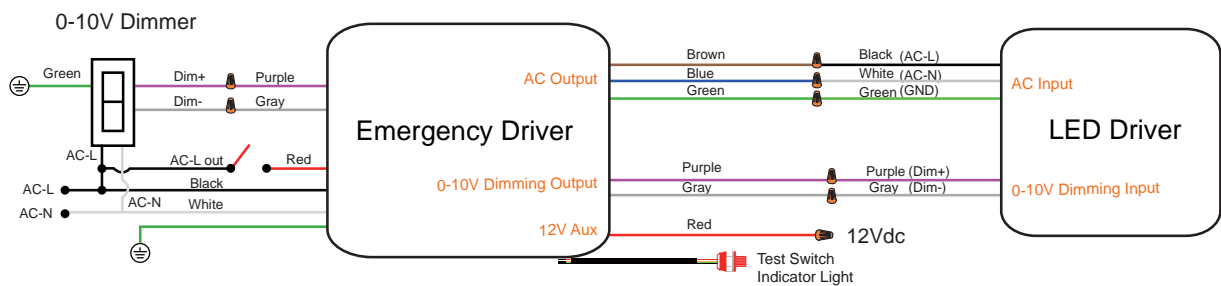
100-347Vac

30W/40W/60W

Wiring Diagram

1 With Dimmer

For UFO LED Highbay $\leq 300W$ and have 0-10 dimming function



IMPORTANT

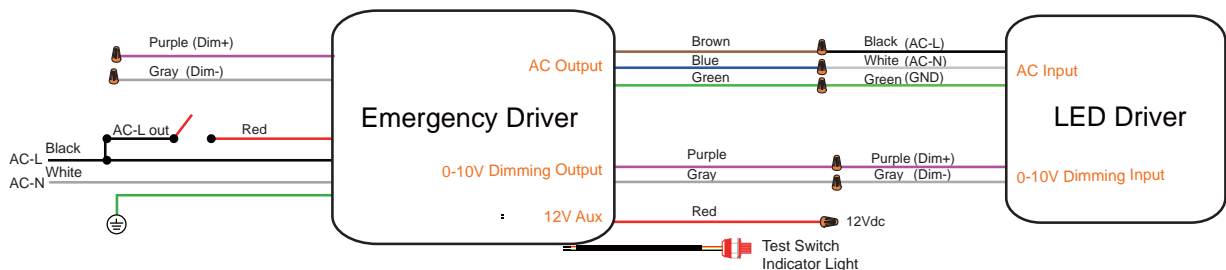
Dimming wires must be connected to UFO LED Driver dimming wires for EM to function properly. Will NOT operate if not connected.

RECOMMENDATION:

Emergency Output Power $\geq 20\%$ Output Power of UFO LED High Bay

2 With Wall Switch(Without Dimmer)

For UFO LED Highbay $\leq 300W$ and have 0-10 dimming function



IMPORTANT

Dimming wires must be connected to UFO LED Driver dimming wires for EM to function properly. Will NOT operate if not connected.

RECOMMENDATION:

Emergency Output Power $\geq 20\%$ Output Power of UFO LED High Bay

EMERGENCY LED DRIVER

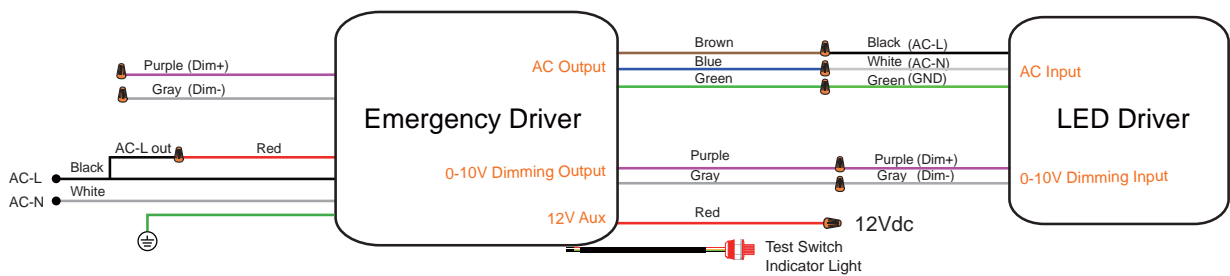
BLD-RMXXW-R/NAC

100-347Vac

30W/40W/60W

3 Without Wall Switch&Dimmer, 24hours lighting

For UFO LED Highbay $\leq 300W$ and have 0-10 dimming function



IMPORTANT

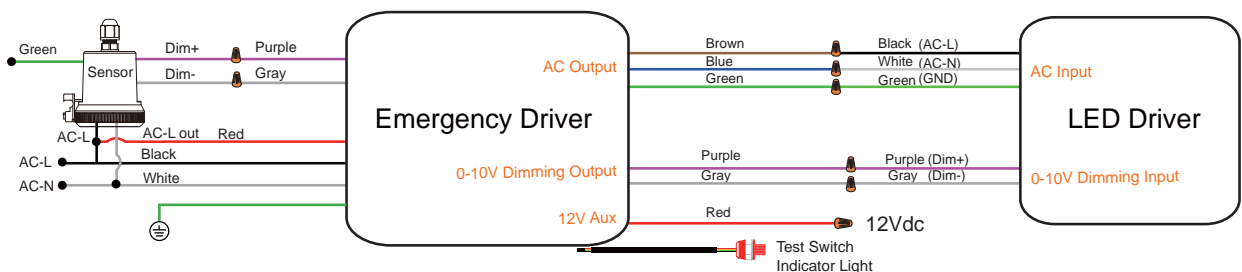
Dimming wires must be connected to UFO LED Driver dimming wires for EM to function properly. Will NOT operate if not connected.

RECOMMENDATION:

Emergency Output Power $\geq 20\%$ Output Power of UFO LED High Bay

4 With Sensor(100-277/347V AC)

For UFO LED Highbay $\leq 300W$ and have 0-10 dimming function



IMPORTANT

Dimming wires must be connected to UFO LED Driver dimming wires for EM to function properly. Will NOT operate if not connected.

RECOMMENDATION:

Emergency Output Power $\geq 20\%$ Output Power of UFO LED High Bay

EMERGENCY LED DRIVER

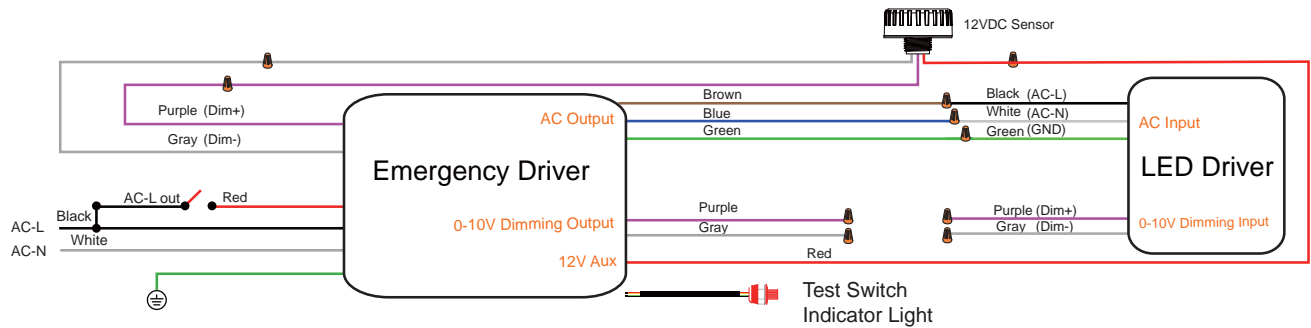
BLD-RMXXW-R/NAC

 **100-347Vac**
30W/40W/60W

Wiring Diagram

5 With 12VDC Sensor

For UFO LED Highbay $\leq 300W$ and have 0-10 dimming function



IMPORTANT

Dimming wires must be connected to UFO LED Driver dimming wires for EM to function properly.
Will NOT operate if not connected.

RECOMMENDATION:

Emergency Output Power $\geq 20\%$ Output Power of UFO LED High Bay

EMERGENCY LED DRIVER

BLD-RMXXW-R/NAC



30W/40W/60W

READ AND FOLLOW ALL SAFETY INSTRUCTIONS.

- Risk of fire or electric shock. Luminaire wiring and electrical parts may be damaged when drilling for installation of LED Emergency Backup. Check for enclosed wiring and components.
- Risk of fire or electric shock. This LED Emergency Backup installation requires knowledge of luminaire electrical systems. If not qualified, do not attempt installation. Contact a qualified electrician.
- Before installing, make certain the AC power to the fixture is off.
- The electrical rating of this product is 100-347Vac. Installer must confirm that there is 100-347Vac to the fixture before installation.
- To prevent electrical shock only mate unit connector after installation is complete and before the AC power to the fixture is back on.
- Do not use outdoors.
- This LED Emergency Backup unit requires an un-switched AC power source of 100-347Vac, 50/60Hz. The AC driver must be on the same branch circuit as the LED Emergency Backup unit.
- Do not let power supply cords touch hot surfaces.
- Do not mount near gas or electric heaters.
- Do not connect battery pack connector until all other wiring is complete and AC power is on.
- Equipment should be mounted in locations and at heights where it is not be subjected to tampering by unauthorized personnel.
- The use of accessory equipment is not recommended by the manufacturer and may cause an unsafe condition.
- Do not use this equipment for other than its intended use.
- Use with grounded, UL Listed, dry or damp location rated fixtures.
- Make sure the load is not greater than 300W, more than this parameter will result in shortening discharge time.
- Repairs and maintenance must be carried out by qualified personnel