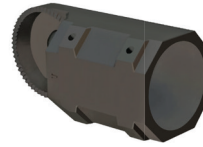


# LED STREET LIGHT

## AL3 SERIES



### MOUNTS



AM



DM

### CERTIFICATIONS/WARRANTY



### ADVANTAGE

- ULc UL DLC certificate.
- Eligible for rebates from most Utilities.
- 0-10V dimming.
- No UV or IR in the beam.
- IP65 driver, input voltage 120-277 VAC.
- Bridge lux Chip, high CRI.
- Easy to install and operate.
- Energy saving, long lifespan.
- Instant start, NO flickering, NO humming.
- Green and eco-friendly without mercury.
- Light is soft and uniform, safe to eyes.
- Creates safer environment with superior light output.

The AL3 Street Light series can easily replace aging and expensive HID, HPS, and Halogen fixtures in commercial settings using fewer watts to generate the same or greater amount of light. In addition to superior light coverage, the reduced electricity costs and stunning 50,000-hour lifespan makes this street light the cost-effective, low maintenance choice. Ideal for roadways, alleys, and parking lot areas this fixture provides excellent light coverage from 15' to 50' mounts. The AL3 series is available in multiple color temperatures, wattages, and various mounting types. The CRI of >70 allows for enhanced color, shape, and object definition which is lost with older HID and HPS fixtures. The AL3 series is designed with an IP65 rating and is a solid-state construction for high shock and vibration resistance. The product is also eco-friendly to save the environment from toxic chemicals. This product is UL and DLC approved and comes with 5 years of manufacturer's warranty.

### SPECIFICATIONS

COLOR TEMPERATURE	4000K, 5700K
CRI	>70 (300W) >80 (100W, 150W)
STANDARD VIEWING ANGLE	158*95 Degree (Type III) (100W, 300W) 160*96 Degree (Type III) (150W)
INPUT VOLTAGE	100-277VAC 50/60Hz
DRIVER TYPE	Non Isolated
POWER FACTOR	>0.9
WATERPROOF RATING	IP65
LED TYPE	2835
HOUSING	Aluminum Alloy
HOUSING COLOR	Bronze / Brown
APPLICATION	Outdoor

DATE:	LOCATION:
TYPE:	PROJECT:
CATALOG#:	

# LED STREET LIGHT

## AL3 SERIES



### ORDERING/PACKAGING

SKU	WATTAGE	LUMENS/EFFICACY	REPLACED WATTAGE	CARTON SIZE	STENT TYPE
GT-AL3-100W-N-DLSPJ3-BR40KAM (106-100253)	100W	14,000 /140LM/W	up to 400W	22" x 14.5" x 5.7"	AM
GT-AL3-100W-N-DLSPJ3-BR40KDM (106-100254)				24.6" x 14.5" x 5.7"	DM
GT-AL3-150W-N-DLSPJ3-BR40KAM (106-100257)	150W	21,000 /140LM/W	up to 400W	22" x 14.5" x 5.7"	AM
GT-AL3-150W-N-DLSPJ3-BR40KDM (106-100258)				24.6" x 14.5" x 5.7"	DM
GT-AL3-300W-N-DLSPJ3-BR40KAM (106-100261)	300W	42,000 /140LM/W	>1000W	29.3" x 14.5" x 5.7"	AM
GT-AL3-300W-N-DLSPJ3-BR40KDM (106-100262)				31.8" x 14.5" x 5.7"	DM

SKU TYPE ORDERING	WATTAGE	DRIVER TYPE	PRODUCT ID	HOUSING COLOR	KELVIN	MOUNT (STENT TYPE)
GT-AL3	100W	N (Non Isolated)	DLSPJ3	BR (Brown)	40K(4000K) 57K(5700K)	AM DM
	150W					
	300W					

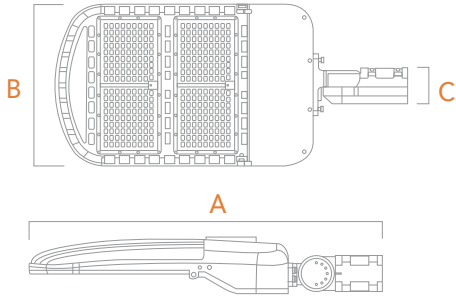
### DIMENSIONS/WEIGHT

#### AM

100W A 21.34" x B 12.83" x C2 2.52"

150W A 21.34" x B 12.83" x C2 2.52"

300W A 28.54" x B 12.83" x C2 2.64"

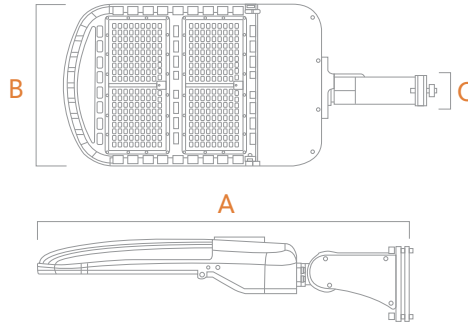


#### DM

100W A 22.68" x B 12.83" x C2 6.3"

150W A 22.68" x B 12.83" x C2 6.3"

300W A 29.84" x B 326" x C 6.3"



#### WEIGHT/CARTON

#### NET WEIGHT/CARTON

	AM	DM	AM	DM
100W	12.8LBS	14LBS	10.8LBS	12LBS
150W	12.8LBS	14LBS	10.8LBS	12LBS
300W	18.9LBS	20LBS	15.8LBS	17LBS

DATE:	LOCATION:
TYPE:	PROJECT:
CATALOG#:	QTY:
CATALOG#:	QTY: