

LED INTEGRATED TUBE

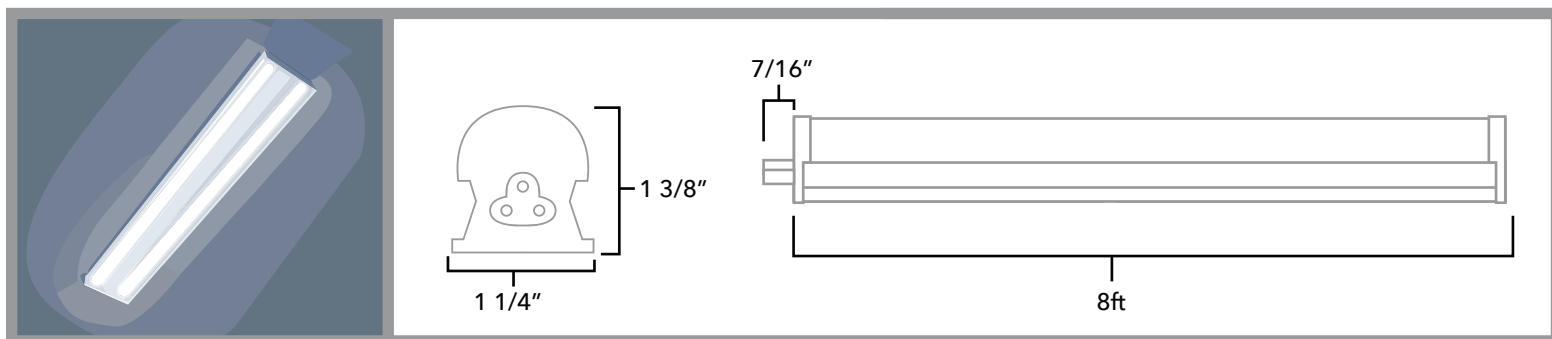
8ft 40W

DESCRIPTION

This light has the capability of being mounted nearly anywhere. It comes with metal clips which can attach to any surface by screws. These lights can string up to over 40 feet with just one power source and attach via male and female ends on the light fixture. The light will work on 110-277V and can produce over 120 lumens per watt.

WARRANTY

This product has a warranty for a period of 5 years from the date of purchase. The warranty is invalid in the case of improper installation, tampering, or removal of the Q.C. date label. Installation in an improper working environment or installation not according to the current edition of the National Electric Code also invalidates the warranty. Should this product fail during the warranty period, it will be replaced free of charge, subject to correct installation and return of the faulty unit. Greentek Energy Systems does not accept responsibility for any installation costs associated with the replacement of this product. This warranty is in addition to the statutory rights in the country of purchase. Greentek Energy Systems reserves the right to alter specifications without prior notice.



SKU	GT-T8-40W2400 BINX FIXTURE	Watts	40W
Dimensions	93 3/8" (length) x 1 1/4" (width) x 1 3/8" (height); male connector extends out by 7/16" from one end	Lumens	133 lm/w
Certification	DLC, UL, CE, TUV, SAA, RoHs, ERP	Color	5000K, 6000K



LED INTEGRATED TUBE

8ft 40W

PRODUCT SPECIFICATIONS

Trim	Frosted	Input Voltage	100-277V
Beam Angle (°)	120-180	Lifespan	50,000 hours
CRI	≥ 80	Warranty	5 years
Quantity/box	20		

