

LED Work light Installation Instruction



Cautions:

1. Can not use the electric generator to test the LED lamp.
2. Please abide by related country, regional and local law and regulations when install this fixture.
3. Please turn off the power before installation or maintenance.
4. Proper earth grounding is required to ensure safety.

Notice:

1. To avoid possibility of electrical shock or fire, the installation personnel must have professional electric knowledge.
2. Please wear gloves to avoid injury before installation.
3. If any smoke or spark of the wire happened, please turn off the power immediately and notify relevant personnel.

Attention:

1. Please check if there is any damage during shipping. If so, please contact manufacturer timely.
2. Please read the installation instruction carefully to check whether all the accessories are complete. After confirmation, then install the fixture according to installation steps.

Instructions for interconnected unit use shall include at least the following:

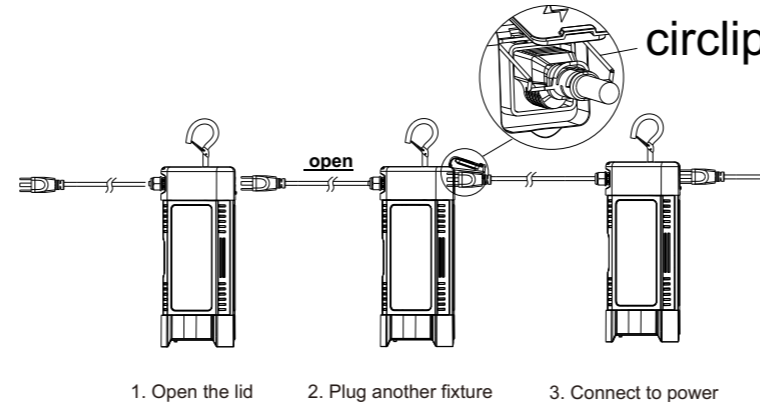
a. Voltage and current rating of portable luminaire.

Model	Voltage, V	Current, A
AST-CHB04-60WXYA1-dcK	120	0.55
AST-CHB04-100WXYA1-dcK	120	0.9
AST-CHB04-150WXYA1-dcK	120	1.3

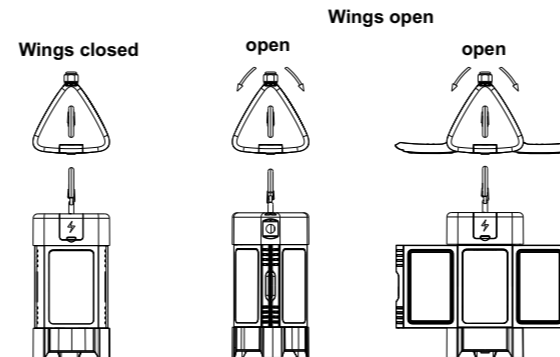
b. Maximum number of units to be interconnected. "Max. "X" Model "Y" units"

"Y" - Model	"X"-Max.Number
AST-CHB04-60WXYA1-dcK	20
AST-CHB04-100WXYA1-dcK	12
AST-CHB04-150WXYA1-dcK	8

C. Instructions for mounting.

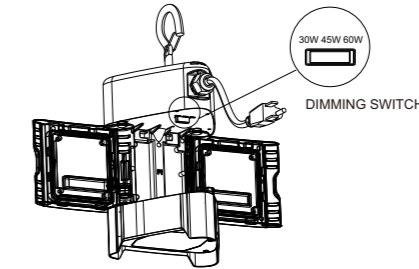


1.The wings can be open or closed during lamp usage, pls refer to below diagram:



2. Dimming mode diagram.

a. Segmented dimming.



Rated Wattage	Dimming Mode
60W	60W 45W 30W
100W	100W 80W 60W
150W	150W 120W 100W

b. Wireless dimming.

When "d" is "W" in the following models, the lamp wattage can be adjusted via both Segmented dimming and 2.4G wireless dimming.

Model
AST-CHB04-60WXYA1-dck
AST-CHB04-100WXYA1-dck
AST-CHB04-150WXYA1-dck

Note: There is no switch on the wireless module, please refer to the remote control manual to adjust the lamp wattage as needed.

6 Installation Methods: Hook Mount, Industry Hook Mount, Round Pipe Mount, Magnet Mount, 1/4 NPT Stem Mount, 5/8 NPT Stem Mount.

(Please choose the most suitable installation method for the purchased product as per your needs.)

A. Hook Mount:

1. Screw the hook into lamp base.(Figure 1).
2. Hang on the lamp on the ceiling hook.(Figure 2),
3. Connect the plug and socket , then finish.

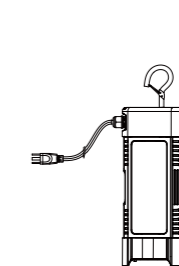


Figure 1

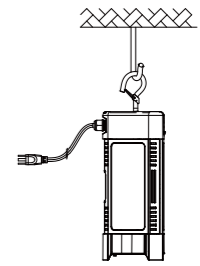


Figure 2

B. Industry Hook Mount:

1. Screw the hook into lamp base.(Figure 3).
2. Clip the fixture on the round tube and tighten the screw.(Figure 4)
3. Connect the plug and socket , then finish.

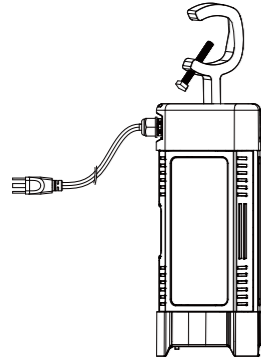


Figure 3

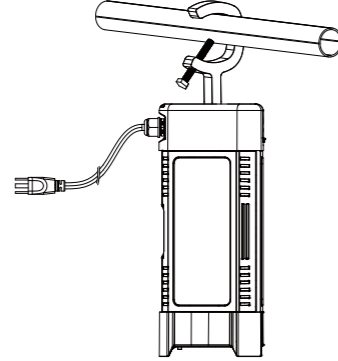


Figure 4

C.Round Pipe Mount:

1. Screw the round pipe into light base.(Figure 5)
2. Insert the fixture into a round pipe with diameter 20-25mm, the round pole must have a hole with diameter 5.5-7.5mm(Figure6), and then tighten butterfly screw(Figure7)(Figure8), please make sure the butterfly screw was completely inserted into the hole on the round pole!
3. Connect the plug and socket, then finish.

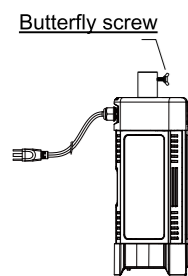


Figure 5

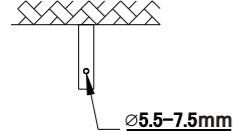


Figure 6

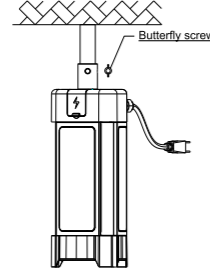


Figure 7

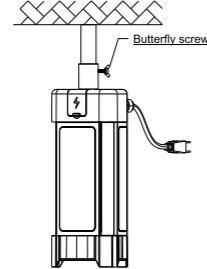


Figure 8

D.Magnet Mount:

1. Tighten the magnet bracket on the lamp base with butterfly screw. (Figure 9) (Figure10).
2. Attach the fixture to the iron plate (Figure11). Pay attention to the fragile magnet.
3. Connect the plug and socket , then finish.

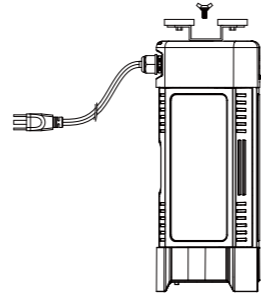


Figure 9

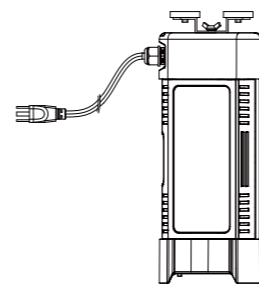


Figure 10

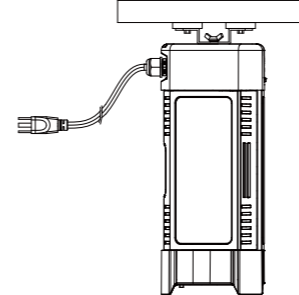


Figure 11

E.1/4 NPT Stem Mount:

1. Only suitable for threaded round pole with the diameter 1/4inch. Put the 1/4 NPT Stem into the round pole (Figure 12), then tighten the 1/4 NPT Stem by screwing the butterfly screw (Figure 13);
2. Connect the fixture to the 1/4 NPT Stem; (Figure 13, 14) Finally connect the plug to the socket.

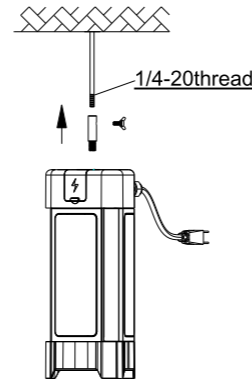


Figure 12

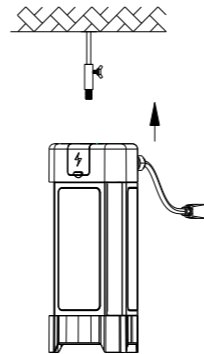


Figure13

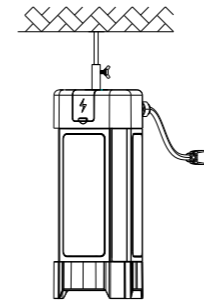


Figure14

F.5/8 NPT Stem Mount:

1. Only suitable for threaded round pole with the diameter 5/8inch. Put the 5/8 NPT Stem into the round pole (Figure 15), then tighten the 5/8 NPT Stem by screwing the butterfly screw (Figure 16);
2. Connect the fixture to the 5/8 NPT Stem; (Figure 16, 17)
3. Finally connect the plug to the socket.

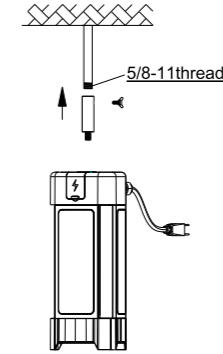


Figure15

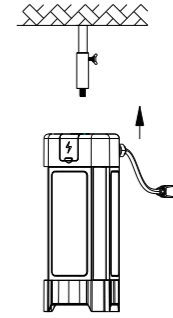


Figure 16

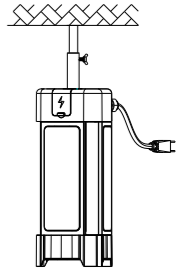


Figure 17