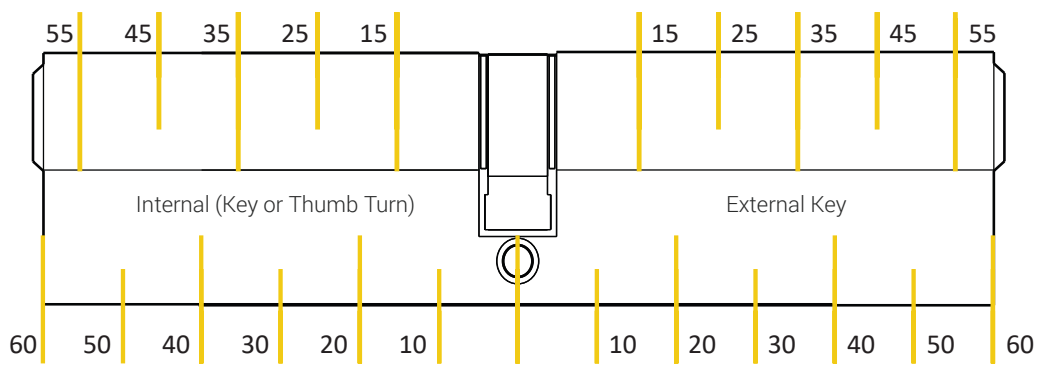


How To Measure a Cylinder



All Dimensions are in mm

CYLINDER STANDARDS

