

BLACK EDITION



COMMERCIAL HARDWARE

PRODUCT CATALOGUE
Architectural products inspired by design

04
ISSUE

**“ COMMERCIAL
HARDWARE;
RIGHT
PRODUCT,
RIGHT
TIME ”**

Commercial Hardware

Ironmongery Specialist

Contents

08

Door Closers

*Transom Closers
Transom Accessories
Surface Mounted
Floor Springs*

50

Pull Handles

*Cranked Back to Back
Semi Circular
Full Height
Guardsman T Bar*

19

Locks & Accessories

*Hook Locks
Deadlatch
Deadlock
Narrow Style
Accessories
Flush Bolts*

58

Access Controls

*Electric Strike
Digital Lock
Maglocks*

32

Cylinders

*3 Star Cylinders
Euro Profile Single
Euro Profile Double
Rim Cylinders
Thumbturns*

64

Patch Fittings

*Top & Bottom Rail
Top Patch, Bottom Patch
Over Panel & Side Panel Patch
Over Panel & Side Panel
Centre Lock
Accessories*

41

Panic Hardware

*Concealed Rod
Soft Touch Bar
Outside Locking Device
Surfaced Mounted
Slimline Mounted*

72

Window Hardware

*Operator Handles
Chain Openers
Accessories
Electric Actuator Opener
Window Restrictors
Window Handles*

About Us

Located in Tamworth, Commercial Hardware offer a huge range of door hardware to cover all your requirements and needs.

Offering next day delivery on all stock items nationwide and in-store collection, along with expert knowledge and friendly service. Commercial Hardware is the only call you need to make.



Next Day Delivery

High Quality Products

Door Closers
Locks
Cylinders
Panic Hardware
& Much More



Expert Advice!
&
Customer Support

Did you know?

We stock products from over 30+ well known brands





Pull Handles

Page 50

Transom Closers

Page 09



Arm Sets

Page 11



Hook Locks

Page 19



Euro Cylinders

Page 32



Bottom Pivots

Page 11

All The Known Brands





LCN

LOCKMASTER®



ASSA ABLOY



securistyle⁵

SCHÜCO

SIEGENIA



Teleflex-clearline

ULTION 
HOME DEFENCE SYSTEM



VERSA
got it covered



ZOO
ARCHITECTURAL HARDWARE

Commercial Hardware

DOOR CLOSERS

**Transom Closers, Surface Mounted,
Floor Springs & Accessories**



Enquire for more details

sales@commercialhardware.co.uk



Transom Door Closer

Concealed Aluminium Door Closer

Part Code: **See Page 10**

POWER SIZE	2	3	4
Max. Door Width (mm)	900	1000	1100
Max. Door Weight (kg)	100		

Features:

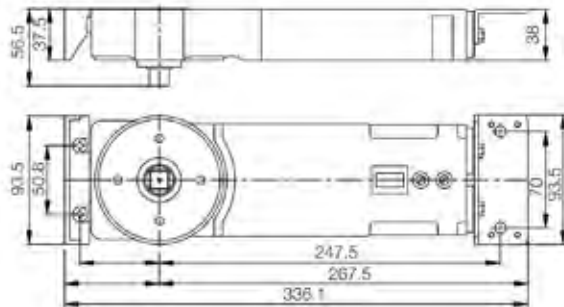
- Fixed power size 2/3/4
- Adjustable closing & latching speed
- Maximum door opening angle at 130°
- Mechanical hold-open 90°
- Concealed transom mount
- Complete with 65mm or 70mm fixing brackets
- Extended spindle versions available in 5, 10 & 15mm
- Accessories are located on **page 11**

Application Ranges:

- Suitable for single & double doors
- Available for light, medium & heavy duty doors



Note: Available in Medium & Heavy Duty.



For even more products visit our website

www.commercialhardware.co.uk

Door Closers

Transom Door Closer Full Kit

Note: All closers come complete with arms, pivots & universal fixings tabs.



TRANSOM DOOR CLOSERS PART CODES

Ordering Details - Part Codes			
Duty	Hold Open - HO	Non Hold Open - NHO	
Transom Door Closers			
Light	CHL3718	CHL3717	
Medium	CHL1387	CHL2331	
Heavy	CHL3537	CHL2036	
Dummy	-	-	CHL1576
Transom 5mm Extended Closers			
Medium	CHL6225	CHL6224	
Heavy	CHL6609	CHL6223	

All transom closers are supplied with fixings and 65mm brackets

Enquire for more details

sales@commercialhardware.co.uk | 0333 355 3801

Arm Sets

End Load, Standard Side & Short Side

Features:

- Fully adjustable
- Easy location of pivot point
- Offering adjustment through hinge stile
- Supplied with fixings blocks & tag plates

End Load Arm



Part Code: CHL518

Standard Side Load Arm



Part Code: CHL3480

Short Side Load Arm



Part Code: CHL1634

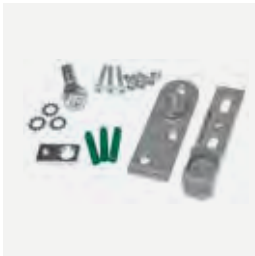
Bottom Pivots

Standard, Heavy Duty, RS10

Features:

- Standard
- Heavy duty
- RS10 Heavy duty
- All bottom pivots are supplied with fixings

Standard



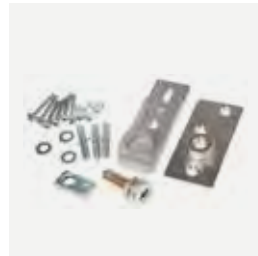
Part Code: CHL1021

Heavy Duty



Part Code: CHL476

RS10 Heavy Duty



Part Code: CHL3657

For even more products visit our website

www.commercialhardware.co.uk



Overhead Closer

Adjustable Power 2-4 & 2-5

Part Codes:

Type 2-4

- **CHL2406** Silver
- **CHL6066** Satin Stainless Steel
- **CHL2502** Polished Brass

Type 2-5

- **CHL3617** Silver
- **CHL6140** Satin Stainless Steel
- **CHL6141** Polished Brass

Finishes:

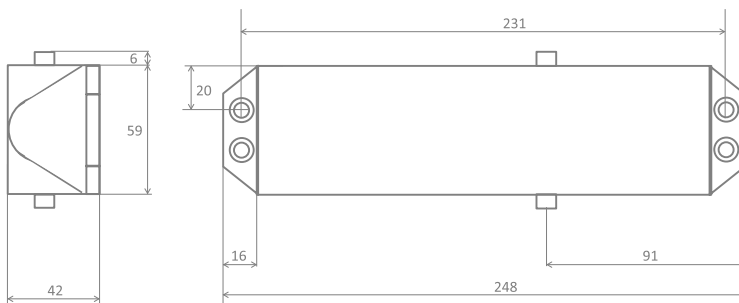


Features:

- CE marked against EN1154
- Included in successful fire test to EN1634
- Suitable for use on timber fire doors of up to 120 minutes fire resistance
- Suitable for doors up to 80kg, 1100mm wide
- High corrosion resistance

BS EN 1154 : 1996

4	8	2/4	1	1	3



Enquire for more details

sales@commercialhardware.co.uk | 0333 355 3801



Adjustable Power

With Guide Rail - Size 2-4

Part Code: **CHL3513**

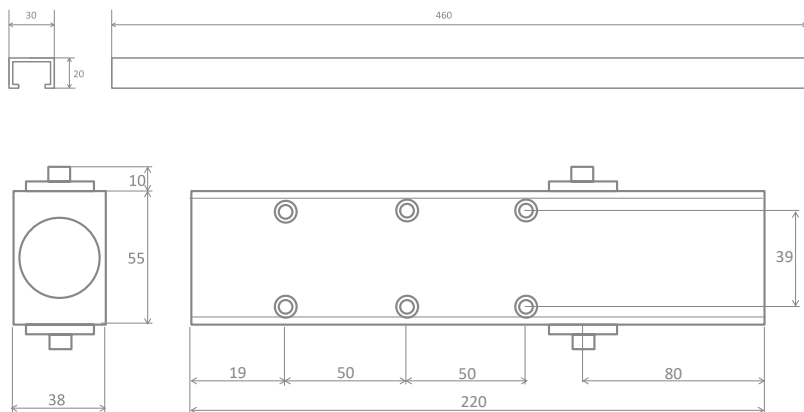
Finishes: 

Features:

- CE marked against EN1154
- Included in successful fire test to EN1634
- Suitable for use on timber fire doors of up to 120 minutes fire resistance
- High corrosion resistance

BS EN 1154 : 1996

					
3	8	$\frac{2}{4}$	1	1	3



DOOR CLOSER WITH GUIDE RAIL

For even more products visit our website

www.commercialhardware.co.uk



Cam Action

Door Closer - Size 1-4

Part Codes:

- **CHL7792** Door Closer Body Only
- **CHL5044** Door Closer With Guide Rail
- **CHL3508** Guide Rail Only

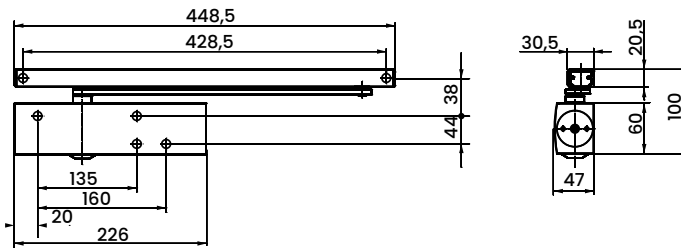
Finishes: 

Features:

- Cam action closer with guide rail
- To be used on internal doors
- Maximum leaf width 1100mm
- Sold complete with guide rail & screw pack
- Adjustable hydraulic latch action and backcheck
- Adjustable closing force and speed



Note: Replaces the need for floor or wall mounted door stop.



CAM ACTION DOOR CLOSER

Enquire for more details

sales@commercialhardware.co.uk | 0333 355 3801



Overhead Door Closer

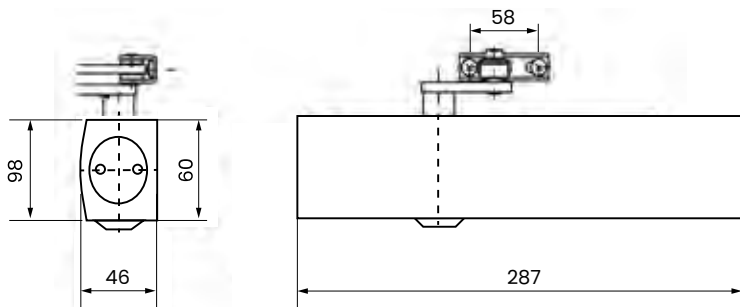
With Link Arm - Size 1-6

Part Code: **CHL3785**

Finishes: 

Features:

- Universal fitting
- Non handed
- 1-6 (EN) for doors up to 1400mm wide
- High efficiency rack & pinion mechanism
- Adjustable hydraulic backcheck
- Adjustable closing speed
- Adjustable latch action



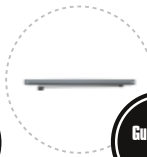
UNIVERSAL OVERHEAD DOOR CLOSER

For even more products visit our website

www.commercialhardware.co.uk



Supplied
With
Guide Rail



Guide Rail
Only

Overhead Closer

With Guide Rail - Size 2-6

Part Code:

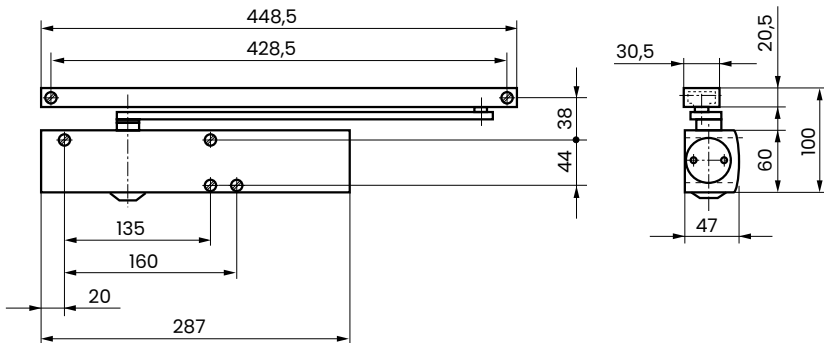
- **CHL5326** Silver Door Closer Body Only
- **CHL5799** Door Closer with Guide Rail
- **CHL3508** Guide Rail Only

Finishes:

Features:

- 2-6 (EN) for doors up to 1400mm wide
- Non-handed
- High efficiency eccentric rack & pinion mechanism
- Adjustable hydraulic backcheck
- Adjustable closing speed
- Adjustable latch action
- Available for door mount hinge side / transom mount opposite hinge side door
- Optional delayed action / in-rail hold open / in-rail mechanical backcheck

OVERHEAD DOOR CLOSER



Enquire for more details

sales@commercialhardware.co.uk | 0333 355 3801



Heavy Duty Universal

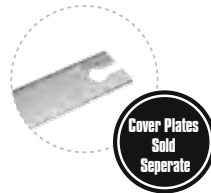
Floor Concealed Door Closer

Part Codes:

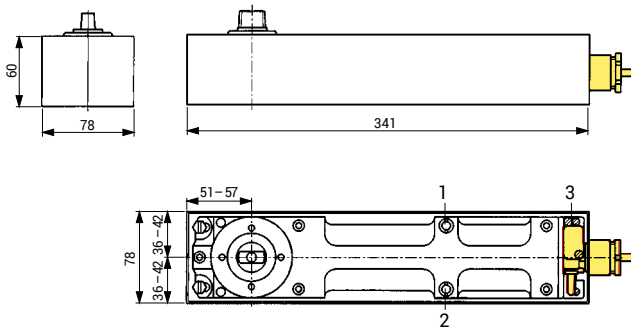
- **CHL1592** *BTS80 Floor Spring*
- **CHL1433** *Cover Plate SSS*

Features:

- Adjustable spring sizes
- Non-handed unit suitable for both single and double-acting doors
- Controlled closing with two independent values
- Single point hold open available at 90° or 105°
- Extended spindle version available



1. Closing speed adjustment valve
2. Latching speed adjustment valve
3. Plug connector with cable for EMB & FLB power supply



CONCEALED FLOOR SPRING

For even more products visit our website

www.commercialhardware.co.uk



Universal Floor Spring

Floor Concealed Door Closer

Part Codes:

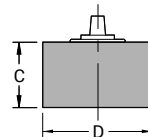
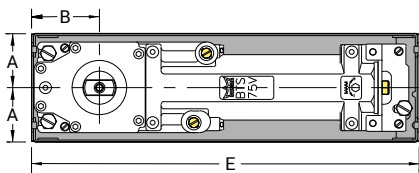
- **CHL4342** Hold Open (HO)
- **CHL1034** Non Hold Open (NHO)
- **CHL1035** Cover Plate SSS

Features:

- Adjustable spring sizes
- Non-handed unit suitable for both single and double-acting doors
- Controlled closing with two independent values
- Single point hold open available at 90° or 105°



Note: Don't forget to check stock levels before placing large orders.



	A	B	C	D	E
Inches	1-7/16 - 1-13/16	2 - 2-1/4	2	3-1/4	11-1/4
Millimeters	36 - 46	51 - 57	51	82	285

FLOOR SPRINGS

Enquire for more details

sales@commercialhardware.co.uk | **0333 355 3801**

Commercial Hardware

LOCKS & ACCESSORIES

Hook Locks, Deadlatches, Narrow Style,
Flushbolts & Accessories



0333 355 3801

www.commercialhardware.co.uk

Locks



Euro Profile Hook Lock

Comes With Faceplate

Part Codes:

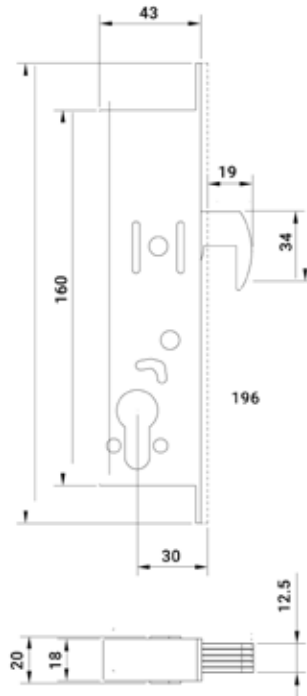
- **CHL3720** 25mm Backset
- **CHL3880** 30mm Backset
- **CHL3567** 40mm Backset

Features:

- Steel case with corrosion resistance
- Bolt throw 19mm
- Lock bolt 34mm x 12.5mm
- Complete with faceplate
- Round cylinder version available

Backset Options:

- 25mm backset
- 30mm backset
- 40mm backset



EURO PROFILE HOOK LOCK

Mortise
Hook Lock
Accessories
Page 26

Note: Don't forget to check stock levels before placing large orders.

Enquire for more details

sales@commercialhardware.co.uk | 0333 355 3801



Round Cylinder

Hook Lock

Part Code:

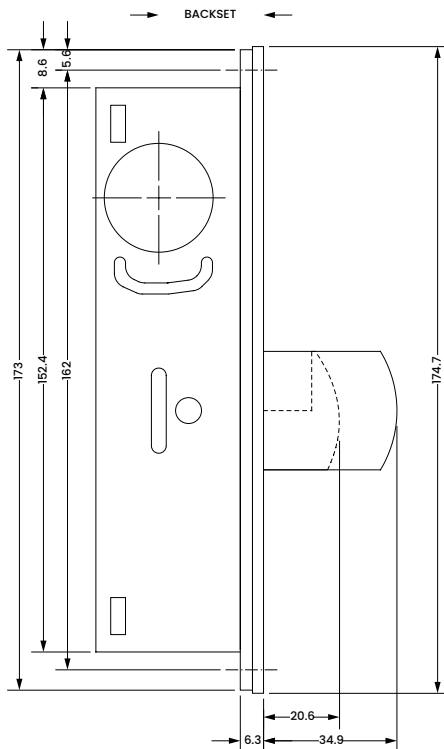
- **CHL7446** 28.6mm Backset
- **CHL6142** 38.1mm Backset

Features:

- Steel case with corrosion resistance
- Bolt throw 19mm
- Lock bolt 34.9mm x 20.6mm
- Complete with faceplate
- Round cylinders sold separately - [page 39](#)

Backset Options:

- 28.6mm backset
- 38.1mm backset



Mortice
Hook Lock
Accessories
Page 26

Note: Don't forget to check stock levels before placing large orders.

ROUND CYLINDER HOOK LOCK

For even more products visit our website

www.commercialhardware.co.uk



Euro Profile Deadlatch

Comes With Faceplate

Part Code:

- **CHL3878** 25mm Backset
- **CHL2405** 28mm Backset
- **CHL5897** 38mm Backset

Features:

- Faceplate: 173.5 x 25mm
- Aluminium material
- Finish: matt/satin anodised aluminium
- Complete with flat faceplate & strikeplate

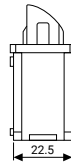
Backset Options:

- 25mm backset
- 28mm backset
- 38mm backset

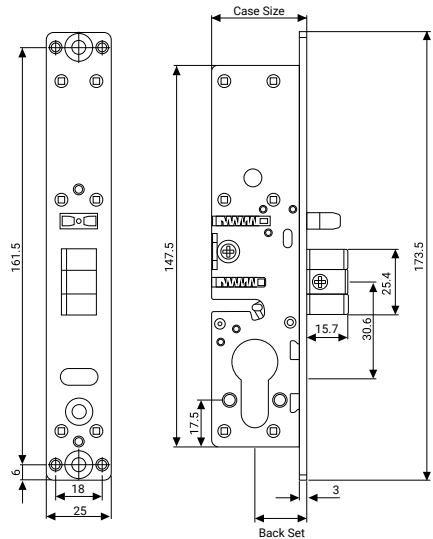


**Extended Jaw
Strike Plate
CHL2185**

Note: To suit euro profile/
round cylinder deadlatches.
Complete with fixings



Case size & backset vary depending on version





Round Cylinder Deadlatch

Comes With Faceplate

Part Code:

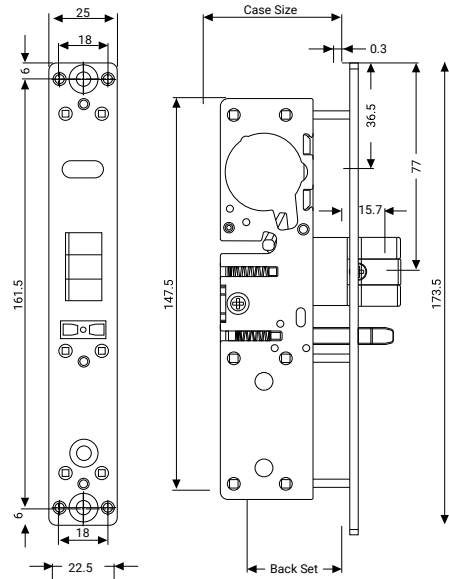
- **CHL4120** 25mm Backset
- **CHL3765** 28mm Backset
- **CHL5897** 38mm Backset

Features:

- Fully reversible latchbolt without the need to open the case
- Latchbolt complete with hardened steel internal pins
- Faceplate: 173.5 x 25mm
- Material: aluminium
- Finish: matt/satin anodised aluminium
- Complete with flat faceplate & strikeplate

Backset Options:

- 25mm backset
- 28mm backset
- 38mm backset



ROUND CYLINDER DEADLATCH

Case size & backset vary depending on version

For even more products visit our website

www.commercialhardware.co.uk

Locks



High Security Hook Lock

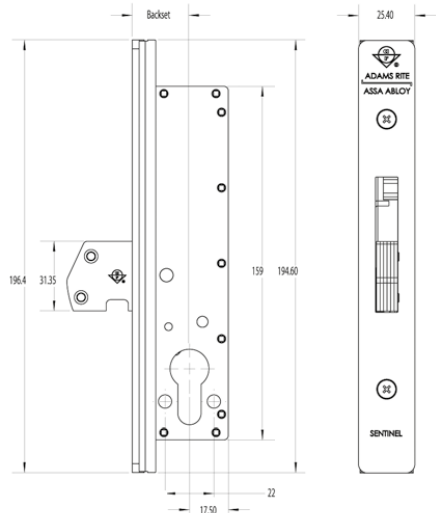
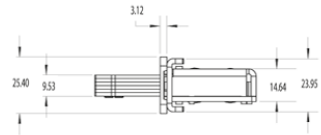
Comes With Faceplate

Part Code:

- **CHL3573** 25mm Backset
- **CHL3652** 30mm Backset
- **CHL3896** 40mm Backset
- **CHL3572** Flat Faceplate
- **CHL4237** Trim Plate SAA
- **CHL4236** Armoured Strike
- **CHL3826** Escutcheon

Features:

- Compiles with BSEN 12209 security grade 6
- Bolt withstands 10kN side load in unsupported application and 6kN end load
- Barbolt with anti-spread feature incorporating the benefits of hookbolt
- Enclosed mechanism prevents potential for tampering while under attack
- Specifically designed to fit into thermally broken and shopfront applications. Backset options - 25mm, 30mm & 40mm



HIGH SECURITY HOOK LOCK



Trim Plate & Armoured Strike



Escutcheon

Enquire for more details

sales@commercialhardware.co.uk | 0333 355 3801



Narrow-Style

Euro Profile Sash Lock

Part Code:

- **CHL9602** 30mm Backset
- **CHL4780** 35mm Backset
- **CHL3899** 40mm Backset
- **CHL9603** 45mm Backset

*Suitable for internal
 & external doors*

Features:

- Key action on latch bolt
- Single throw dead bolt
- Easy reversible latch bolt
- Backset 30, 35, 40 and 45mm
- Distance 92mm
- Forend stainless steel
- Without strike plate
- Latch, anti-panic and nightlatch versions also available

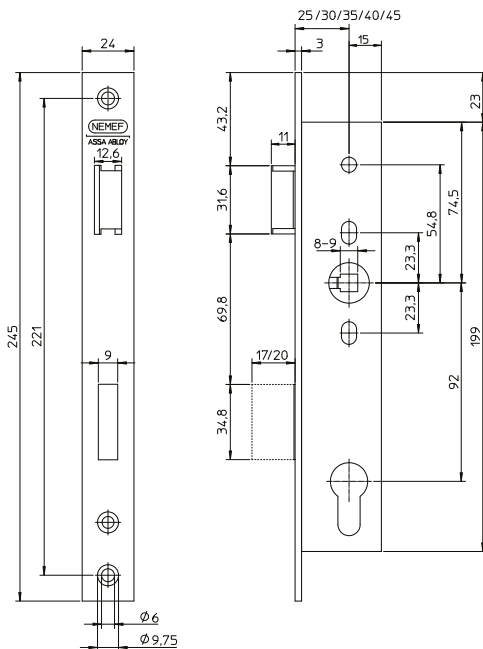


NEW
 Extended Latch
 Strike
CHL3638



Dead & Latch
 Strike
**CHL2184,
 CHL2183**

Note: To suit narrow style sashlocks. For double door applications



NARROW-STYLE SASH LOCK

For even more products visit our website

www.commercialhardware.co.uk



Mounting Bridges

Part Code: **CHL1240**

Features:

- Sold as pairs
- Complete with fixings
- To suit round and euro profile hooklocks



Fixing Kits

Part Code: **CHL3648**

Features:

- To suit round and euro profile hooklocks/
deadlatch
- Complete with fixings



Trim Plate

Part Code: **CHL3647**

Features:

- To suit armoured strike plate
- Complete with fixings
- Available as flat or radius profile



Armoured Strike Plate

Part Code: **CHL3646**

Features:

- To suit round and euro profile hooklocks
- Complete with fixings

Enquire for more details

sales@commercialhardware.co.uk | **0333 355 3801**



**Comes With
Euro Escutcheon
CHL037**

Lever On Rose

Part Code: **CHL2863**

Features:

- Grade 316 stainless steel
- 19mm diameter tube
- 52 x 8mm round sprung rose
- Suitable for 35-54mm doors



Euro Finger Pull

Part Code: **CHL125**

Features:

- Cylinder latch pull
- Complete with fixings
- 88mm x 43mm



Blank Repair Plate

Part Code: **CHL3714**

Features:

- Quick and easy to fit
- High-tack stable adhesive
- No screws required



**Part No.
CHL1388**

**Part No.
CHL1051**

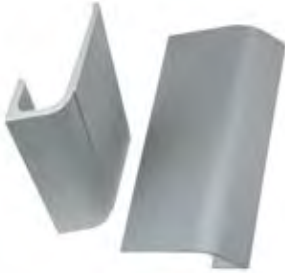
Euro Escutcheons

Screw On / Self Adhesive

Features:

- Screw on - 28 x 70mm
- Self adhesive - 30 x 68mm
- High-tack stable adhesive

Locks



Pad Handle

Aluminium Pad Handle

Features:

- The perfect set choice for commercial aluminium doors
- Complete with all the required fixings
- Height of 230mm or 300mm

Finishes:



Part Codes: **CHL1165**, **CHL3756**, **CHL3562**, **CHL6147**, **CHL6143**, **CHL7221**

SAA	SAA	White	White	Black	Black
230mm	300mm	230mm	300mm	230mm	300mm



Paddle Handle

Part Code: **CHL3766**

Features:

- For use with round cylinder deadlatches
- Suits 44mm thick doors
- Cam plug non-handed, reversible
- Suitable for aluminium & steel doors

Finishes:

ACCESSORIES



Lever Handle

Part Code: **CHL3419**

Features:

- Suits 44mm thick doors
- Cam plug non-handed, reversible
- Suitable for aluminium & steel doors

Finishes:

Enquire for more details

sales@commercialhardware.co.uk | **0333 355 3801**

Radius Flush Bolt

Complete With Guides

Part Code:

- **CHL3615** Flat Faceplate
- **CHL3613** Radius Faceplate
- **CHL3614** Guide Only

Features:

- Zinc plated with anti-rattle sleeve
- 7mm zinc plated steel rod with 40mm thread length
- Deep finger recess and large lever for easy operation
- Corners 2.5mm radius for easy matching of cut out
- Comes complete with guide



Square Flush Bolt

Complete With Guides

Part Code: **CHL3735**

Features:

- 130 x 26mm
- Square profile
- With anti-rattle sleeve
- Hardend steel bolt
- Complete with fixings



For even more products visit our website



Adjustable Top Centre

Part Code: **CHL3634**

Features:

- Top centre for double action doors
- Complete with fixing screws
- Centre of pivot 50mm from end of plate



Light Duty Top Centre

Part Code: **CHL3753**

Features:

- Material die cast
- Comes with bottom pivot



Double Action Strap

Part Code: **CHL7421**

Features:

- Drop forged steel construction
- Zinc plated
- Suitable for door weights up to 300kg
- Non-handed

DID YOU KNOW?

Cubicle Hardware

We also stock cubicle hardware and it's not your bog-standard stuff.



// We'll make sure
you'll never be
caught short //

THE COMPLETE
CUBICLE HARDWARE
COLLECTION RANGE

BY
COMMERCIAL
HARDWARE

0333 355 3801 From indicator bolts, coat hooks,
www.commercialhardware.co.uk hinges & much more

Commercial Hardware

CYLINDERS

**Single, Double, Thumbturns &
Kitemarked Cylinders**



0333 355 3801

www.commercialhardware.co.uk



A range which comprises of single, double & turn cylinders with euro & oval bodies. Keyed to differ, keyed alike or master keyed versions are available.

COMMERCIAL HARDWARE

Adjustable CAM



Break-off system



We offer our own bespoke cylinder keying service

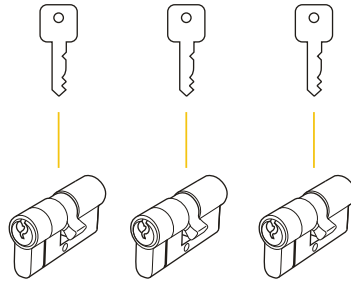
For more info, give us a call on 0333 355 3801

Or send over your enquiry to sales@commercialhardware.co.uk

Cylinders

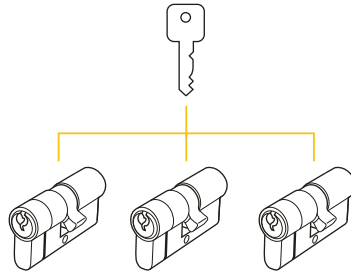
KEYED TO DIFFER

Each lock is opened by its own unique key, which does not open any other lock.



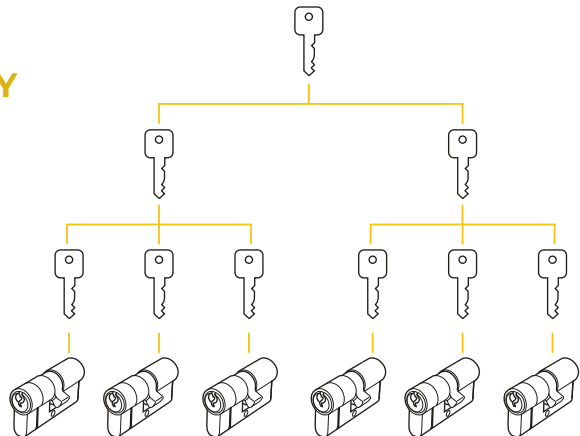
KEYED ALIKE

All cylinders in the set are opened by the same key, this option provides same key convenience and eliminates the need for multiple keys where numerous cylinders are used.



UNDER MASTER KEY

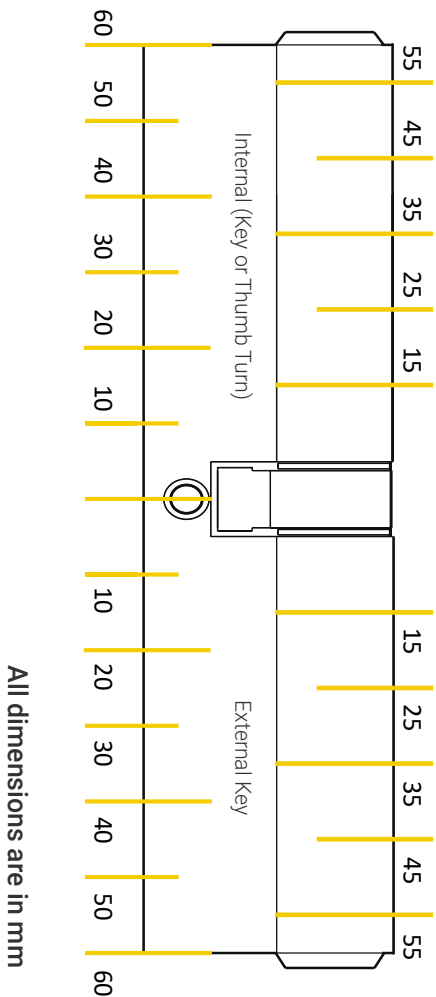
Where all cylinder locks are opened by a single master key then each of the cylinder locks are opened by their own key, often referred to as the slave, change or differ keys.



Enquire for more details

sales@commercialhardware.co.uk | 0333 355 3801

How To Measure Your Cylinder



All dimensions are in mm

CYLINDER STANDARDS



For even more products visit our website
www.commercialhardware.co.uk



Finishes:



Standards:



Euro Single Cylinder

Euro Profile Single

Features:

- BS EN 1303
- BS EN 1634-1
- Anti-drill, anti-pick & anti-snap
- Adjustable cam
- Complete with 3 keys & fixing pin
- Full range of sizes available



Single Turns Available

Note: Don't forget to check stock levels before placing large orders.

SINGLE & DOUBLE CYLINDERS



Finishes:



Standards:



Euro Double Cylinder

Euro Profile Double

Features:

- BS EN 1303
- BS EN 1634-1
- Anti-drill, anti-pick & anti-snap
- Complete with 3 keys & fixing pin
- Full range of sizes available
- Offset sizes available

All product codes for cylinders can be found on page 40

Enquire for more details

sales@commercialhardware.co.uk | 0333 355 3801



Finishes:



Standards:



Euro Cylinder & Turn

Product Codes on page 40

Features:

- BS EN 1303
- BS EN 1634-1
- Anti-drill, Anti-pick & Anti-snap
- Complete with 3 keys & fixing pin
- Full range of sizes available on page 40
- Offset sizes available



Turn/Turns Available

Note: Don't forget to check stock levels before placing large orders.



3 Star Euro Cylinder

High Security 3 Euro Profile*

Features:

- Secured by Design Accredited (Police preferred specification)
- Anti-Bump mechanism
- Tested to British standard TS007:3
- 10 Year £1,000 protected guarantee
- Dual finish

Finishes:



Scan Me

For pricing, please contact a member of the team or scan the QR code



For even more products visit our website

www.commercialhardware.co.uk



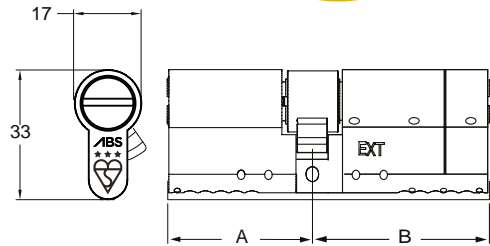
3 Star Cylinder

High Security Kitemarked



Profile Options:

- Half (single) cylinder
- Double cylinder
- Thumbturn cylinder



Features:

- SS312 Sold Secure Diamond Grade
- 3 Star British Kitemark – TS007:2014 (KM 586135)
- Secured by Design Accredited (Police preferred specification)
- Patented Snap Secure Technology
- Pick, Drill & Bump Resistant
- Pin-in-Pin and magnetic pin technology
- 6 Trap Pins for advance pick resistance
- 16 Anti-drill pins
- Double, single and thumbturn formats available
- Three keys per cylinder
- Secure online key registering
- Keyed alike key/key pairs are available
- Key alike with ABS Euro cylinders, Rim cylinders & padlocks

Finishes:



3 STAR CYLINDERS

Enquire for more details

sales@commercialhardware.co.uk





Rim Cylinder

Part Codes: For satin chrome finishes (SC)

- **CHL1024** Rim Cylinder KA
- **CHL067** Rim Cylinder KTD

Features:

- BS EN 1303
- BS EN 1634-1
- Anti-drill & anti-pick
- Complete with 3 keys & trim ring

Finishes:



Standards:



Note: Contact a member of our team for other part code finishes.



Threaded Rim Cylinder

Part Codes:

- **CHL3734** Round Screw in Thumbturn
- **CHL3612** Screw in Cylinder KA
- **CHL1754** Screw in Cylinder KTD

Features:

- BS EN 1303
- BS EN 1634-1
- Anti-drill & anti-pick
- Complete with 3 keys & trim ring
- Available as - KA, KTD & MK
- Extended versions are available

Finishes:



Standards:



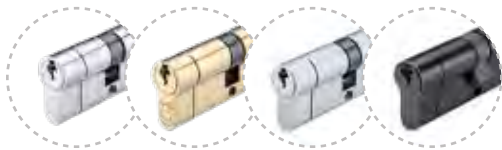
For even more products visit our website

www.commercialhardware.co.uk

Cylinders



Note: All cylinders are available in 4 different finishes.



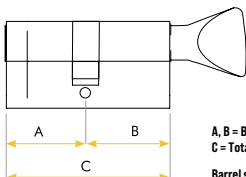
V5 Cylinders Part Codes

Type	Size	Single	Double	Cylinder & Turn
KA	40mm	CHL532	-	-
KTD	40mm	CHL530	-	-
KA	45mm	CHL536	-	-
KTD	45mm	CHL027	-	-
KA	50mm	CHL498	-	-
KTD	50mm	CHL537	-	-
KA	55mm	CHL028	-	-
KTD	55mm	CHL541	-	-
KA	60mm	CHL547	CHL892	CHL058
KTD	60mm	CHL029	CHL499	CHL342
KA	70mm	CHL555	CHL894	CHL033
KTD	70mm	CHL030	CHL557	CHL055
KA	80mm	-	CHL056	CHL607
KTD	80mm	-	CHL501	CHL343
KA	90mm	-	CHL910	CHL389
KTD	90mm	-	CHL502	CHL344
KA	100mm	-	CHL889	CHL390
KTD	100mm	-	CHL558	CHL356

KA - Keyed Alike / KTD - Keyed to Differ

All codes are for Satin Chrome finishes (SC)

TECHNICAL



A, B = Barrel Size
C = Total Length
Barrel size starts from 30mm



Note: Don't forget to check stock levels before placing large orders.

CYLINDER PART CODES

Enquire for more details

sales@commercialhardware.co.uk

0333 355 3801

Commercial Hardware

PANIC HARDWARE

**Exit Devices, Crash Bars, Paddle Handles
& Surface Mounted**



0333 355 3801

www.commercialhardware.co.uk



Concealed Rod

Crash Bar

Part Code: **CHL7085**



Extension Rods
Available
CHL2836

Note: Don't forget to check stock levels before placing large orders.

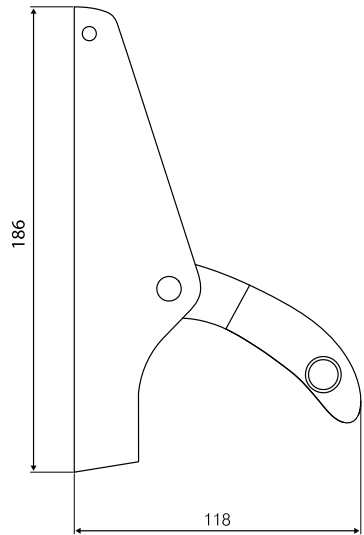
Features:

- Push bar is compliant to BS EN 1125
- Cross bar in extruded aluminium with silver satin anodised finish
- Exit device has nylon bushes for silent operation
- Suitable for narrow and widestile doors
- Concealed fixings. Exit device house not exceed 120 x 186mm projection
- Heavy duty lever springs for durable operation of lever arms
- Standard model suitable for doors of up to 1155mm wide & 2135 high
- Extra wide model long crossbow suitable for doors up to 1220mm wide

CONCEALED ROD CRASH BAR



Black/Green
Available
CHL5610



Enquire for more details

sales@commercialhardware.co.uk | **0333 355 3801**



Concealed Rod

Push Paddle Handle

Part Codes:

- **CHL3549** Concealed Push Pad - LH
- **CHL3708** Concealed Push Pad - RH
- **CHL3716** PR-7085-AK Screw Pack

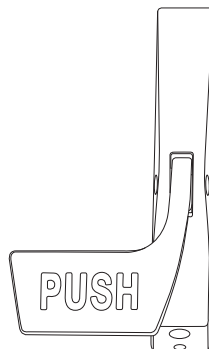


Mounting Pads
Available
CHL3721

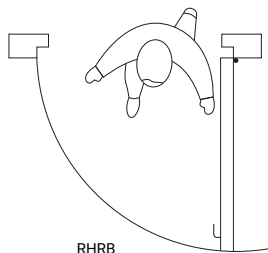
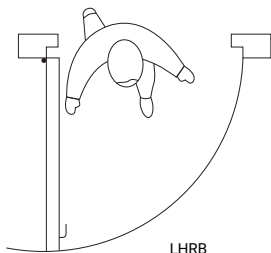
Note: Don't forget to check stock levels before placing large orders.

Features:

- Emergency device installed to the opening jamb
- Push paddle handle with engraved "PUSH"
- Compliant to BS EN 179
- Finished in Satin Chrome
- Operating paddle handle and lever do not exceed 120 mm x 186 mm projection
- Standard mortice rim cylinder lock available as option



HAND OF DOOR



CONCEALED ROD PUSH PADDLE HAND

For even more products visit our website

www.commercialhardware.co.uk



Concealed Rod

Soft Touch Bar

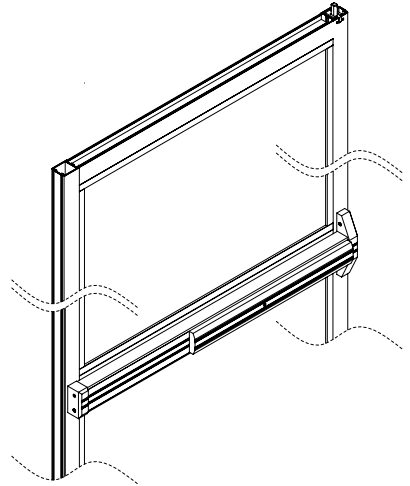
Part Code: **CHL7100**

48"
Version Available
CHL7071

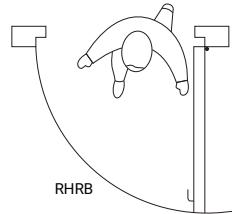
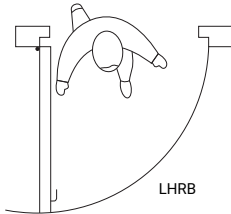
Note: Don't forget to check stock levels before placing large orders.

Features:

- Heavy duty lever springs and internal mechanism for durable, smooth operation
- Plated steel and stainless steel internal components
- 8.5mm diameter steel locking rods
- 16mm bolt throw
- Suitable for door widths as narrow as 700mm and 2135mm high
- Extruded aluminium touch bar, anodized finish with coloured alloy end caps to match



HAND OF DOOR



CONCEALED ROD SOFT TOUCH BAR

Enquire for more details

sales@commercialhardware.co.uk | **0333 355 3801**

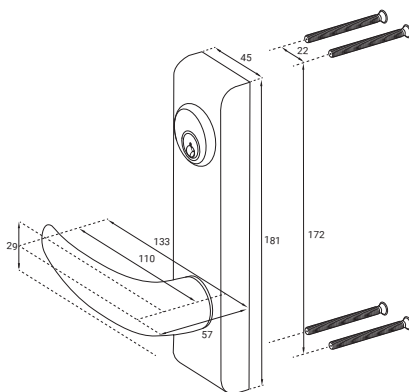
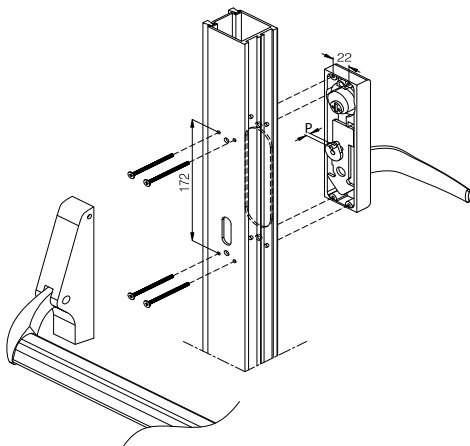


Outside Locking Device

Part Code: **CHL745**

Features:

- Key controlled
- Outside trim
- For use with concealed exit devices
- Uses screw in mortice cylinder with ms type cam
- Not handed (field reversible)
- Covering a range of thickness doors from 46mm - 67mm



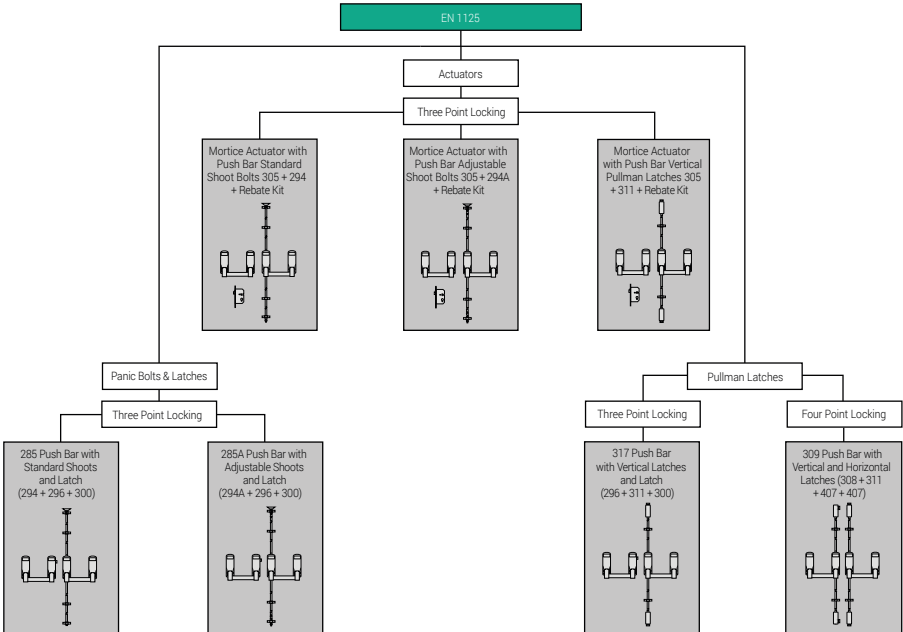
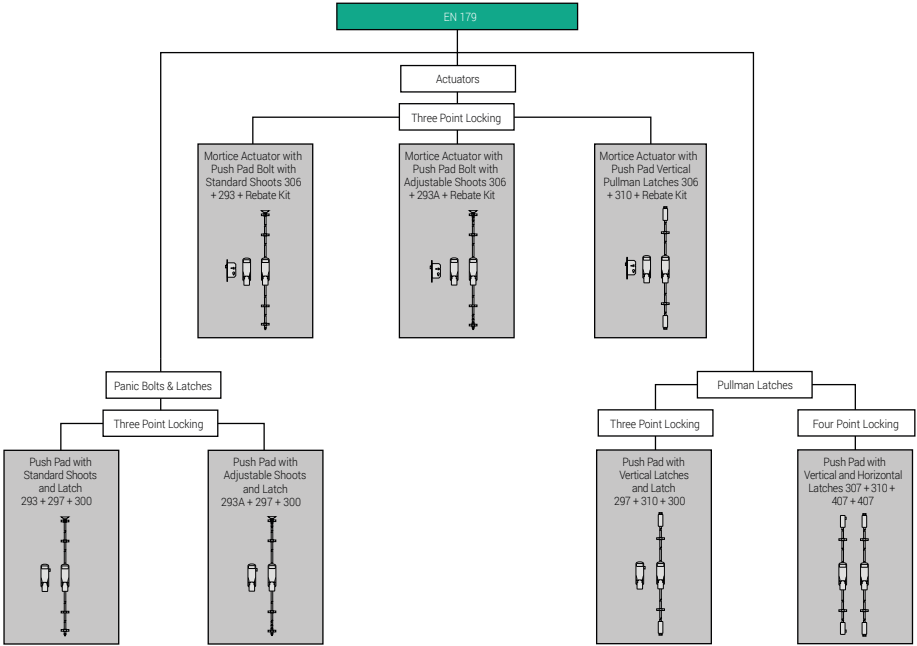
To Be Used With
Crash Bar On
Page 42

Please note: Don't forget to check stock levels before placing large orders.

OUTSIDE LOCKING DEVICE

For even more products visit our website

www.commercialhardware.co.uk



PANIC HARDWARE APPLICATIONS

Enquire for more details

sales@commercialhardware.co.uk

0333 355 3801



294 Single Door Panic Bar with Bolt

Features:

- Non-handed
- CE marked for safety
- Surface mounted
- 38mm wide footprint
- Suitable for doors with narrow stiles
- Microswitch version available
- Standard colours: silver, white with green cross bar and black with red cross bar
- Available in most RAL colours

Surface Mounted

Panic Hardware

Part Code: **CHL294**



296
Reversible
Panic Latch
CHL296



297
Single Door
Push Pad
With Latch
CHL297

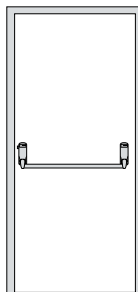


322
Lever Operated
Outside Access
Device
CHL3628

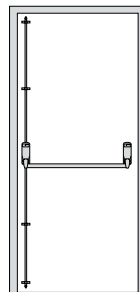


**325 Outside
Locking Device**
NEW

Note: Don't forget to check stock levels before placing large orders.



296



294

SURFACE MOUNTED

For even more products visit our website

www.commercialhardware.co.uk



502A-B
Push Bar Panic latch

Features:

- Non-handed
- CE marked for safety
- Surface mounted
- 38mm wide footprint
- Suitable for doors with narrow stiles
- Microswitch version available
- Standard colours: silver, white with green cross bar and black with red cross bar
- Available in most RAL colours

Slimline Surface Mounted

Part Code: **CHL3492**



501-B
Push Bar Panic latch
CHL4353



512-B
Push Bar
Emergency
Exit Bolt with
Vertical
Pullman
CHL4584



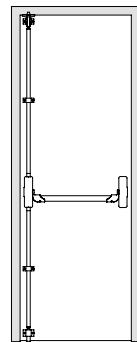
502A-P
Push Bar
Emergency
Exit Bolt with
Horizontal
Pullman
CHL5452

SLIMLINE SURFACE MOUNTED

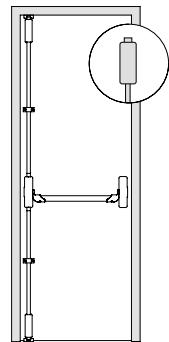


**525 Outside
Locking Device**
CHL3751

Note: Don't forget to check stock levels before placing large orders.



502A-B




522-B

Enquire for more details

sales@commercialhardware.co.uk | **0333 355 3801**

DID YOU KNOW?



Stocked Brands

We stock all the leading brands such as Strand Hardware, Briton, Corni & Dorma for your panic hardware.



**Don't panic, we've
got you covered**



We stock panic hardware from all the leading brands, including Strand, Briton, Corni & Dorma

0333 355 3801 sales@commercialhardware.co.uk

Commercial Hardware

DOOR PULL HANDLES

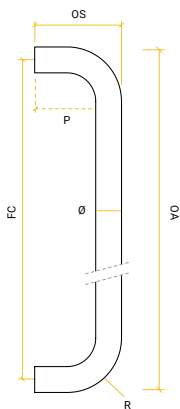
**Semi Circular, T Bar Guardsman,
Cranked Back to Back & Full Height**



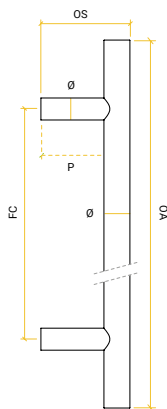
0333 355 3801

www.commercialhardware.co.uk

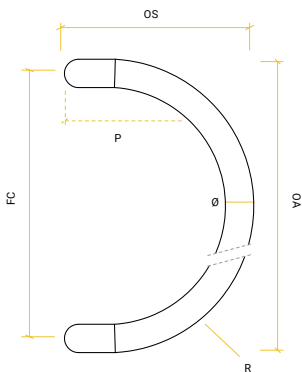
STRAIGHT PULL HANDLE



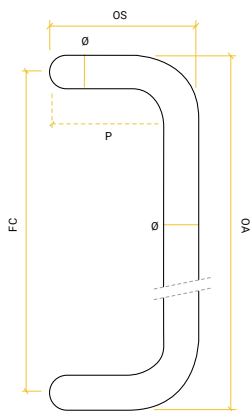
GUARDSMAN PULL HANDLE



SEMI CIRCULAR PULL HANDLE

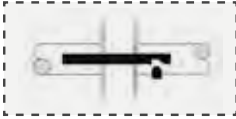


CRANKED PULL HANDLE



- Fixing Centres - FC
- Overall Length - O/A
- Projection - P
- Offset Size - OS
- Diameter - Ø

Pull Handles



CHL1

- Back to back fixing for metal and timber doors
- Thread M12 (M6 grub screw); Hole prep 13mm dia
- Available in sizes for doors between 30mm and 90mm thick



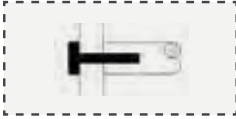
CHL2

- Back to back fixing for glass doors; complete with nylon washers and sleeve
- Thread M12 (M6 grub screw); Hole prep 15mm dia



CHL3

- CSK head machine screw for bolt through fixing single handles onto metal and timber doors.
- Thread M12; Hole prep 13mm dia



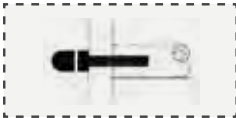
CHL4

- Stainless steel head decorative bolt for bolt through fixing single handles onto metal and timber doors.
- Thread M12; Hole prep 13mm dia



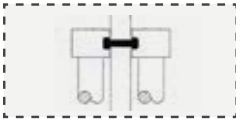
CHL5

- Stainless steel head decorative bolt for bolt through fixing single handles onto glass doors
- Thread M12; Hole prep 18mm dia



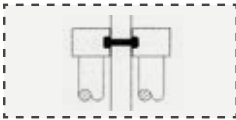
CHL6

- Hex head bolt with black plastic cover cap for single handles through metal and timber doors (please specify door thickness)
- Thread M12; Hole prep 13mm dia



CHL7

- Up to 70mm thick doors
- Handles fixed back to back
- Thread M6; Hole prep 9mm dia



CHL8

- Glass doors Handles fixed back to back
- Complete with nylon washers and pads to protect the glass
- Thread M6; Hole prep 12mm dia



CHL9

- Single side (secret) fixing used when bolt through fixing is not suitable
- Thread M12; Hole prep 13mm dia



Finishes:



Cranked Back to Back

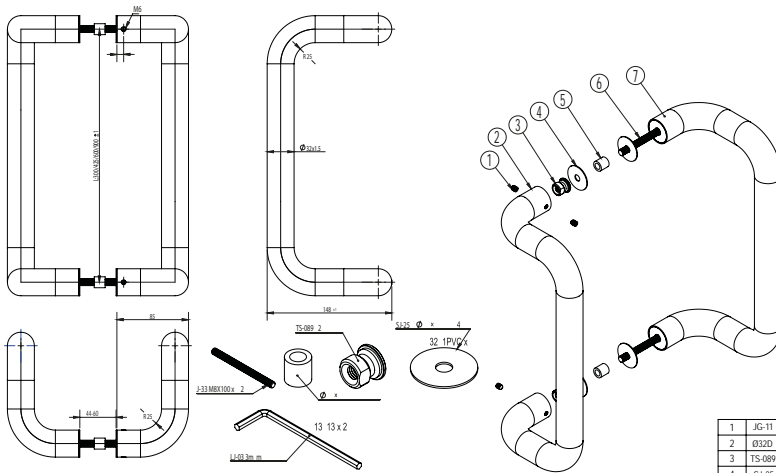
Pull Handle

Part Code:

- **CHL150** 300 x 32mm dia
- **CHL200** 425 x 32mm dia
- **CHL250** 600 x 32mm dia
- **CHL300** 900 x 32mm dia

Features:

- 300mm c/c x 32mm Ø
- 425mm c/c x 32mm Ø
- 600mm c/c x 32mm Ø
- 900mm c/c x 32mm Ø
- Bespoke sizes available upon request
- Satin stainless steel finish
- Universal fixings for aluminium, composite, glass & timber doors.



1	JG-11	16x13	4
2	Ø32D	Ø32	1
3	TS-089		2
4	SJ-25	Ø32R8-sX1.0PWC	4
5		Ø138.2X13	2
6	J-33	MBX100	2
7	Ø32D	Ø32	1

CRANKED BACK TO BACK

For even more products visit our website

www.commercialhardware.co.uk



Semi Circular

Back to Back Pull Handle

Part Code: CHL400

Features:

- 300mm c/c x 32mm \emptyset
- Bespoke sizes available upon request
- Satin stainless steel finish
- Universal fixings for aluminium, composite, glass & timber doors

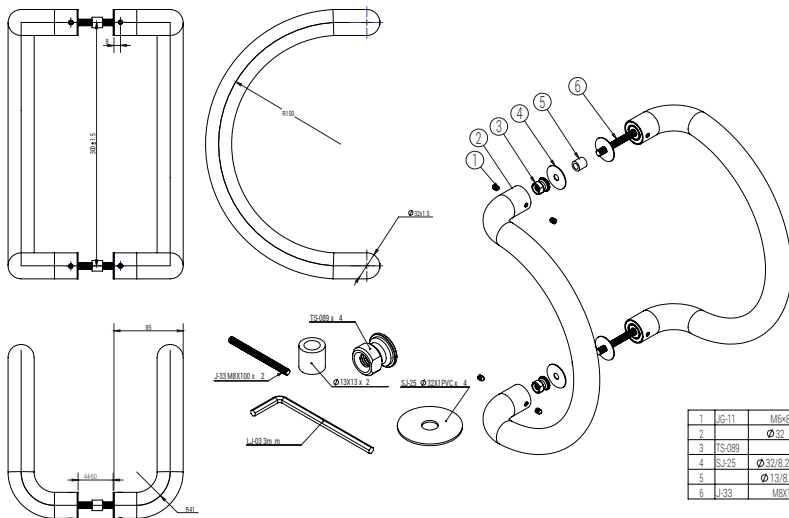
Finishes:



Powder Coated Options Are Available In Most RAL Colours

Please note: Don't forget to check stock levels before placing large orders.

SEMI CIRCULAR PULL HANDLE



1	J-33	M6x8	8
2		\emptyset 32	2
3	TS-089		4
4	SJ-25	\emptyset 32/8, 2x1, OPVC	4
5		\emptyset 15/8, 2x1.3	2
6	J-33	MBX100	2

Enquire for more details

sales@commercialhardware.co.uk | **0333 355 3801**



Full Height

Back to Back Pull Handle

Part Code:

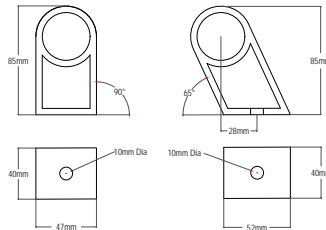
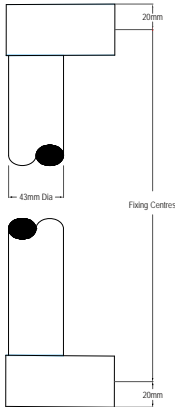
- **CHL5031** 2500 x 43mm Pole c/w Cranked Bracket
- **CHL6346** 2500 X 43mm Pole c/w Straight Bracket
- **CHL6347** 2500 X 43mm dia Pole Only
- **CHL6350** Cranked Bracket - RH
- **CHL6351** Cranked Bracket - LH

Finishes:



Features:

- Supplied with 2500mm c/c x 43mm ø pole
- Complete with cranked or straight fixing brackets
- Satin stainless steel finish
- Universal fixings for aluminium, composite, glass & timber doors



FULL HEIGHT PULL HANDLE

For even more products visit our website

www.commercialhardware.co.uk

Pull Handles



Guardsman T Bar

Back to Back Pull Handle

Part Code: On page 57

Features:

- Wide range of sizes available upon request
- Satin stainless steel finish
- Universal fixings for aluminium, composite, glass & timber doors

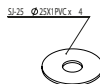
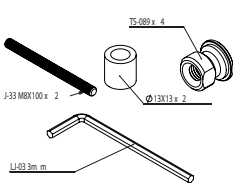
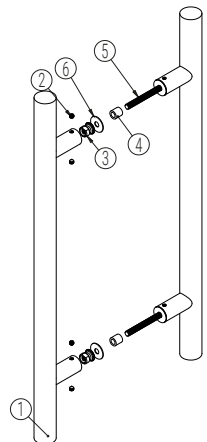
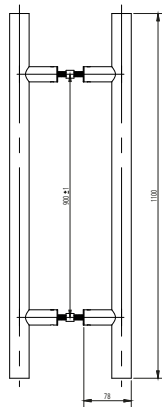
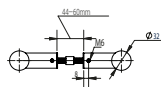
Rectangular Version Available Upon Request



Offset pillar version available

GUARDSMAN T BAR

1		g32	2
2	JG-09	M6x6	8
3	TS-089		4
4		Ø 13/8.2x13	2
5	J-33	M8x100	2
6	SJ-23	Ø 25/8.2x1.0PVC	4



Enquire for more details

sales@commercialhardware.co.uk

0333 355 3801



Note: All Guardsman pull handles are available in most RAL colours.



2 Pillar Bar



Single Fix



Back to Back Fix

Product Codes - Back to Back Pull Handles

Overall Size	Centres	No. of Fixings	Offset	Inline
--------------	---------	----------------	--------	--------

Back to Back Guardsman T Bar Pull Handles

400mm	200mm	2	CHL6072	CHL4184
600mm	400mm	2	CHL4257	CHL6009
800mm	600mm	2	CHL5894	CHL4496
1000mm	800mm	2	CHL5963	CHL5966
1100mm	900mm	2	CHL6348	CHL450
1200mm	1000mm	2	CHL7747	CHL5743
1400mm	1200mm	3	CHL5338	CHL5968
1600mm	1400mm	3	CHL3872	CHL3443
1800mm	1600mm	3	CHL6221	CHL5568

Fixing pack included. Add suffix to part number: *SI* for Single or *BB* for Back to Back e.g. CHL000BB

Face Fix



2 Pillar - Single



2 Pillar - B2B



120mm Threaded Bar



Note: Don't forget to check stock levels before placing large orders.

GUARDSMAN T BAR PART CODES

For even more products visit our website

www.commercialhardware.co.uk

Commercial Hardware

ACCESS CONTROLS

Electric Strikes, Digital Locks, Mag Locks
& Accessories



0333 355 3801

www.commercialhardware.co.uk



Universal 12/24V

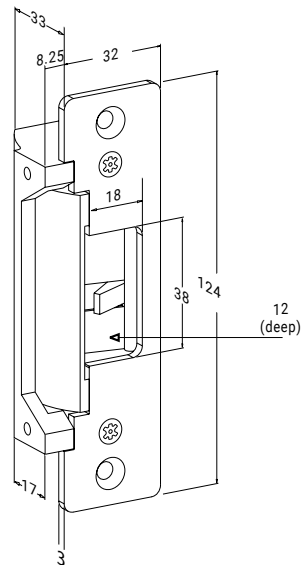
DC Electric Strike

Part Code:

- **CHL3573** ER310-1224 12/24VDC
- **CHL1562** Sub Cover 25mm
- **CHL3715** Sub Cover 50mm

Features:

- Power Input: 12 V DC (24V DC available by special order)
- Voltage Tolerance: $\pm 15\%$
- Current Draw: 0.25 A@12 VDC; 0.15 A@24 VDC (at temperature 20°C)
- Sensor Switch monitored output (GK-310M), Rating 2A@125V, indicates the lockset locked or unlocked status
- Operating Temperature: -10-45°C
- Humidity: 0-95% non-condensing
- Lock's surface Temperature (when the power is on): \leq current temperature +20°C
- 2000 LBS jaw strength pull testing
- Tested to 1,000,000 cycles
- Sub covers sold separate



Contact our team
for Technical
Spec Sheets

Please note: Don't forget to check stock levels before placing large orders.

ELECTRIC STRIKE

For even more products visit our website

www.commercialhardware.co.uk



Slimline Mag Lock

Comes with Z & L Brackets

Part Code:

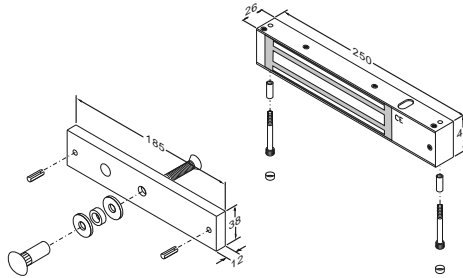
- **CHL3206** Slimline 1000-1 Mag Lock
- **CHL3608** Z & L Brackets Only

Product Overview:

- Operating voltage: 12/24 VDC
- Current draw: 500mA/12VDC;
250mA/24VDC (at temperature 20°C)
- Operating temperature: -10-55°C(14-131°F)
- Humidity: 0-95% non-condensing.
- Holding force: Up to 600 lbs(272 Kg)
- Dimensions:
 - Magnet:(L) 250, (W) 42, (D) 26mm
 - Armature plate:(L) 185, (W) 38, (D) 12mm
 - Mounting plate:(L) 250, (W) 25, (D) 5mm
- Net Weight: 2.0 Kg

Features:

- High reliability
- Aluminium anodized casing
- MOV provides spike and surge protection
- Dual voltage 12 or 24 VDC (selectable)
Single voltage only 12 VDC (10002BZ)
- Anti-Residual magnetism function



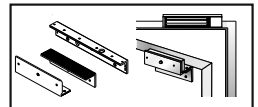
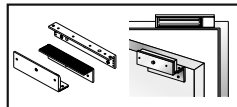
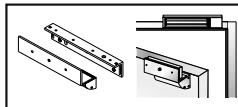
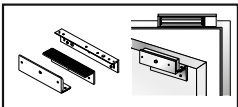
SLIMLINE MAG LOCK

■ LZ - NH300N

■ EM - 10001LZ

■ LZ - 300N

■ LZ - 300BZ (For 10002BZ)



Enquire for more details

sales@commercialhardware.co.uk | **0333 355 3801**



Ultraline Electric Strike

DC Electric Strike

Part Code: CHL3822

Features:

- Fail-Safe/Fail-Secure: Field selectable at time of installation
- Case: Approximately 1" x 3-3/8" x 1-1/16" deep
- Faceplate: Measures 1-1/4" x 6-7/8"
- Voltage: Field selectable to match power source of 12, 16, or 24 VAC/VDC
- Finish Available: 626 Clear Anodized



Sub Cover

To Suit Ultraline Electric Strike

Part Code: CHL3583

Features:

- Lip extension to suit the above Ultraline Electric Strike

Contact our team for current stock levels and lead times

Please note: Don't forget to check stock levels before placing large orders.

ELECTRIC STRIKE

For even more products visit our website

www.commercialhardware.co.uk



Digital Lock

For Aluminium Doors

Part Code: CHL3489

Features:

- Complete with 60mm Stainless Steel Latch
- Suitable for DDA applications
- New & improved clutch and coding chamber
- Clutched keypad handle
- Cycle tested to 100'000 operation
- Over 2000 code combinations available



Digital Lock


With Optional Holdback

Part Code: CHL4134

Features:

- 1000+ combinations
- For internal or external applications
- Simple installation
- Optional holdback
- Suitable for 35-60mm thick doors
- Supplied complete with tubular latch & fixings

DID YOU KNOW?



Teleflex Install Service

We offer a Teleflex supply and install service. From quotation all the way down to fitting - Get your free quote today.



//

We won't leave you
high & dry

//



0333 355 3801

Contact our friendly team for
sales@commercialhardware.co.uk your free quote today

Commercial Hardware

PATCH FITTINGS

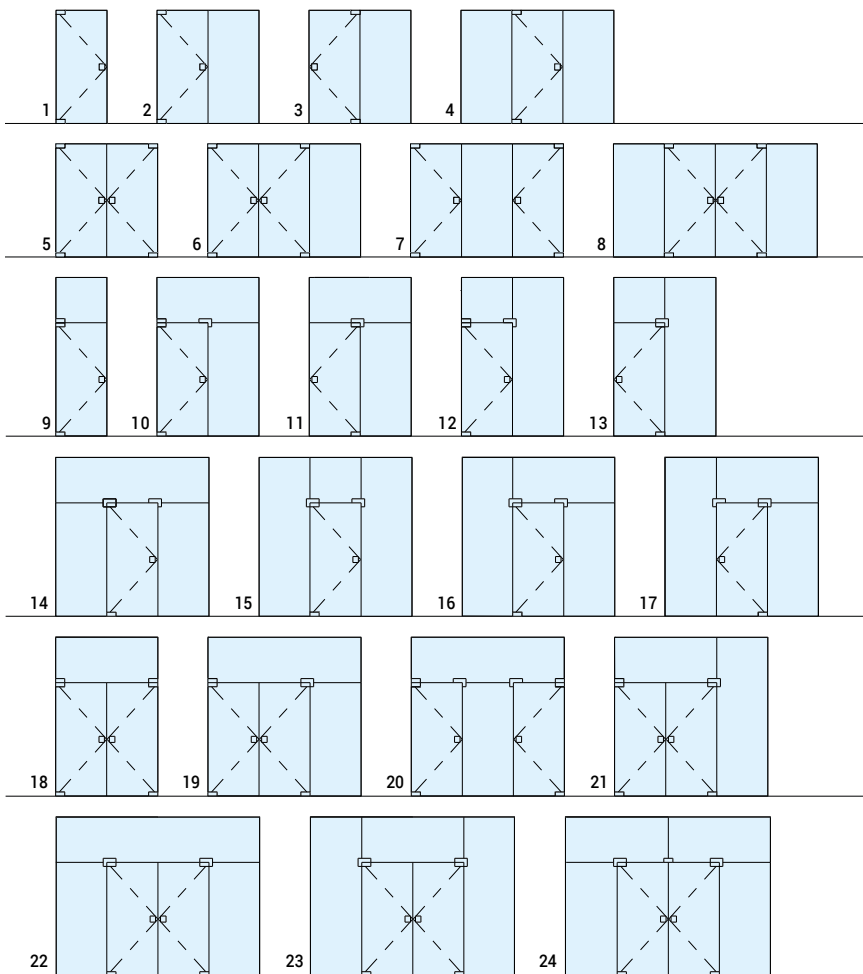
**Top & Bottom Rail, Corner, Side
Patch, Centre Strike & Accessories**



0333 355 3801

www.commercialhardware.co.uk

Standard Assembly Types



PATCH FITTING ASSEMBLY TYPES

For even more products visit our website

www.commercialhardware.co.uk

Patch Fittings



Top & Bottom Rail

With Lock

Part Codes:

Top Rail

- **CHL2406** 80mm
- **CHL6066** 100mm

Bottom Rail

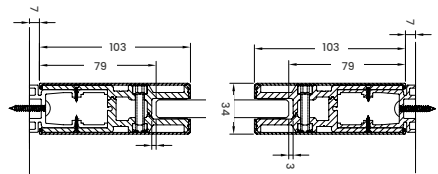
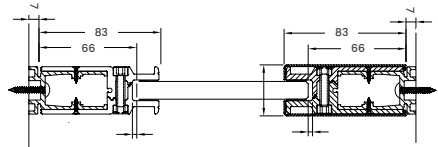
- **CHL3617** 80mm
- **CHL6140** 100mm

Features:

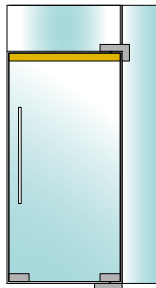
- To suit glass thickness 10/12mm
- Rails can be cut to size
- 80mm / 100mm options available
- Finishes: SSS, SIM SS



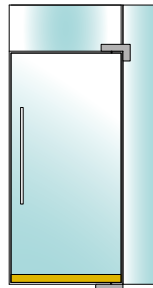
Please note: Don't forget to check stock levels before placing large orders.



Top Rail



Bottom Rail



TOP & BOTTOM RAIL

Enquire for more details

sales@commercialhardware.co.uk | **0333 355 3801**



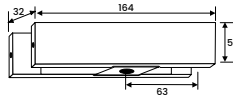
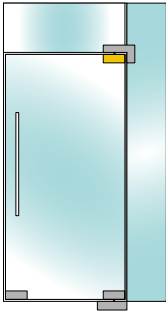
Top Patch

For Glass Thickness 10 or 12mm

Part Code: CHL3450, CHL4566

Features:

- Top patch
- Variable pivot point to 55 to 65mm
- Quick release covers
- Finish: SSS 304
- Dimensions: 164 x 51 x 32mm
- For glass thickness of 10 or 12mm



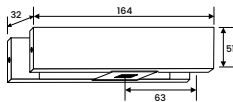
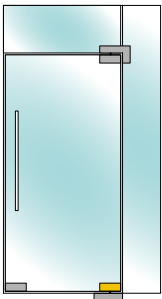
Bottom Patch

For Glass Thickness 10 Or 12mm

Part Code: CHL3451

Features:

- Bottom patch
- Variable pivot point to 55 to 65mm
- Compatible with ozone floor spring
- Quick release covers
- Base material casting: aluminium alloy
- Finish: SSS 304
- Dimensions: 164 x 51 x 32mm



For even more products visit our website

www.commercialhardware.co.uk

Patch Fittings



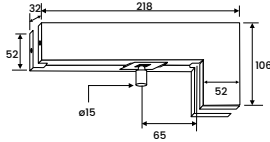
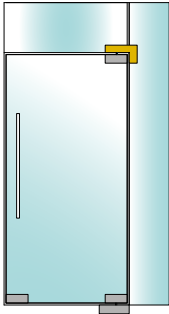
Over Panel & Side

Panel Patch

Part Code: CHL3452

Features:

- Connects over panel & side panel with Top patch
- Pivot pin 15mm diameter
- Adjustable pivot point 55 to 65mm
- Quick release covers
- Finish: SSS 304
- Dimensions: 218 x 52 x 52mm



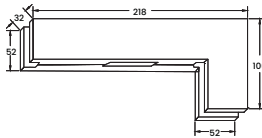
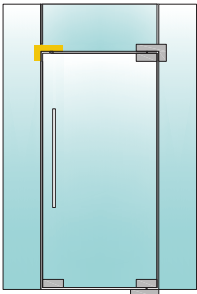
Over Panel & Side

Panel Strike Box

Part Code: CHL5631

Features:

- Over panel and side panel connector patch with strike insert
- Quick release covers
- Finish: SSS 304
- Dimensions: 218 x 52 x 32mm



OVER PANELS

Enquire for more details

sales@commercialhardware.co.uk | **0333 355 3801**



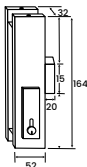
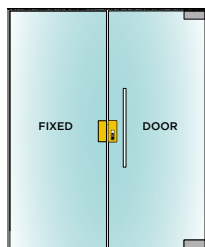
Centre Lock

For glass thickness 10 or 12mm

Part Code: **CHL3454**

Features:

- Centre Patch Lock
- With a Euro Profile Cylinder and Strike Box
- Dead Bolt Projection 15mm (Single Throw)
- Three High Security Computer Keys
- Base material casting: Aluminium Alloy
- Quick release covers
- Finish: SSS 304
- Dimensions: 164 x 52 x 32mm



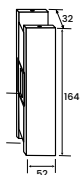
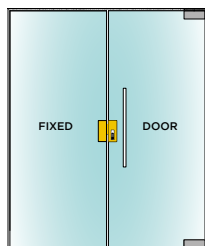
Centre Strike

For glass thickness 10 or 12mm

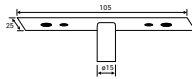
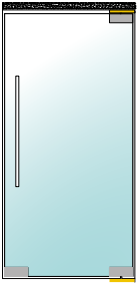
Part Code: **CHL3455**

Features:

- Strike box accepts OPL-2A dead bolt
- Base material casting: Aluminium alloy
- Quick release covers
- Finish: SSS 304
- Dimensions: 164 x 52 x 32mm



Patch Fittings



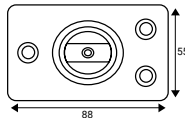
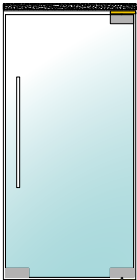
Top Pivot

Stainless Steel

Part Code: CHL4572

Features:

- Stainless steel pivot
- Wear resistant pivot pin
- Pivot held in overhead structure
- Material: stainless steel grade 304
- Finish: SSS 304
- Dimensions: 105 x 25mm



Swing Pivot

Bottom Free

Part Code: CHL3651

Features:

- Mini floor hinge
- 360° Smooth door movement
- Suitable for OPF-3
- Finish: SSS 304
- Dimensions: 88 x 55mm

TOP & BOTTOM PIVOTS

Enquire for more details

sales@commercialhardware.co.uk | **0333 355 3801**



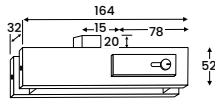
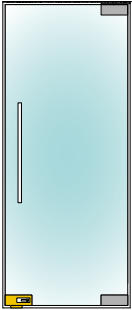
Corner Patch

Lock Strike

Part Code: CHL3453

Features:

- Corner patch lock
- With a Euro profile cylinder and strike plate
- Dead bolt projection 15mm (single throw)
- Three high security computer keys
- Base material casting: aluminium alloy
- Quick release covers
- Finish: sss 304
- Dimensions: 164 x 52 x 32mm



**Cylinders are not included
with patch fittings**

**For cylinders please go to
page 32**

0333 355 3801

sales@commercialhardware.co.uk

Commercial Hardware

WINDOW HARDWARE

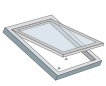
Operator Handles, Chain Openers & Accessories



0333 355 3801

www.commercialhardware.co.uk

Window Types



Roof Vent
Or Roof Light



Top-Hung
Awning



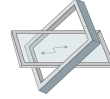
Bottom-Hung
Hopper



Side-Hung
Casement



Louvre
Jalousie Window

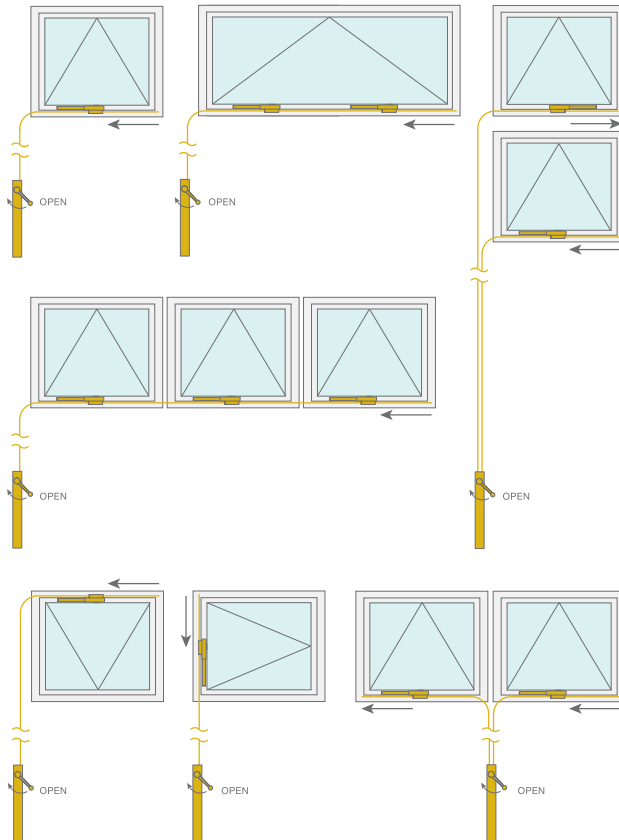


Horizontal
Pivot



Dome

Installation Examples



INSTALLATION EXAMPLES

For even more products visit our website

www.commercialhardware.co.uk



Operator Handles

Manual Chain Openers

Features:

- For use with manual chain openers to operate high level windows
- Standard & Heavy duty options available
- Available in White (RAL 9010), Grey (RAL 9006), & Black (RAL 9005)

Contact our
team for current
stock levels and
lead times

Note: Fixing accessories -
Conduit, Cable, Saddles, Tools
Page 76

Type	Size	Finish	Part Code
Mini Chain Opener Handle	45 x 88mm	White	CHL5229
		Grey	CHL6150
		Black	CHL6149
Midi Chain Opener Handle	45 x 385mm	White	CHL1136
		Grey	CHL3543
		Black	CHL3542
Maxi Chain Opener Handle	90 x 150mm	White	CHL3421
		Grey	CHL3544
		Black	CHL4845

Now available in RAL 7016 - Anthracite Grey

MANUALLY OPERATED CHAIN OPENERS

Enquire for more details

sales@commercialhardware.co.uk | 0333 355 3801

Now available in
anthracite grey

RAL 7016

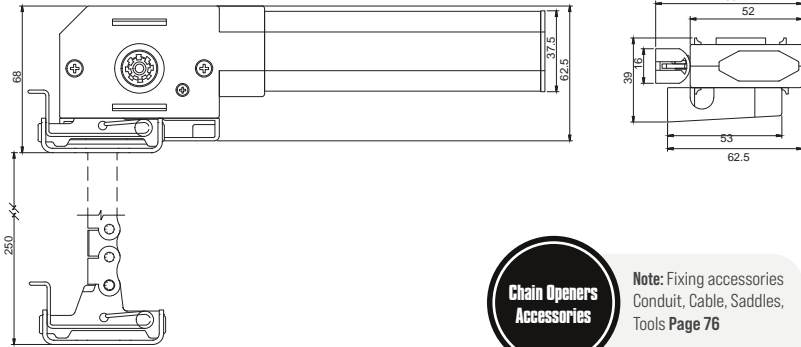


Chain Openers

Manually Operated

Features:

- For use with manual operating handles to open high level windows
- Available as 250 or 380mm opening stroke (adjustable)
- Available in White (RAL 9010), Grey (RAL 9006), & Black (RAL 9005)



**Chain Openers
Accessories**

Note: Fixing accessories
Conduit, Cable, Saddles,
Tools Page 76

Type	Size	Finish	Part Code
Chain Opener	250mm	White	CHL1446
		Grey	CHL1042
		Black	CHL1041
Chain Opener	380mm	White	CHL6148
		Grey	CHL3493
		Black	CHL6146

Now available in RAL 7016 - Anthracite Grey

MANUAL CHAIN OPENERS

For even more products visit our website

www.commercialhardware.co.uk



Type	Size	Finish	Part Code
1 Cable Conduit	3M	White	CHL1447
	3M	Grey	CHL3502
	3M	Black	CHL3501
2 3 Piece Saddle Bracket	-	White	CHL1550
	-	Grey	CHL6160
	-	Black	CHL5617
3 Cable Connector	-	White	CHL1382
	-	Grey	CHL6158
	-	Black	CHL5618
4 Wide Fixing Plate	-	White	CHL2832
	-	Grey	CHL616
	-	Black	CHL6162
5 Narrow Fixing Plate	-	White	CHL526
	-	Grey	CHL3499
	-	Black	CHL3498
6 Control Cable	Per Metre	-	CHL1419
7 Swage Tool	-	-	CHL1383
8 Conduit Bend Former	-	-	CHL2477



Chain Actuator

Electric Window Controls

Part Code:

- **CHL2100** ACK4 White
- **CHL3484** ACK4 Grey
- **CHL2303** ACK4 Black

Finishes:



Features:

- 100-400mm opening stroke (adjustable)
- Suitable for most window types
- Double link chain (stainless steel)
- Supplied with 1.5m cable
- Available as 24 & 230V DC

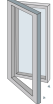
Window Type:



Top-Hung



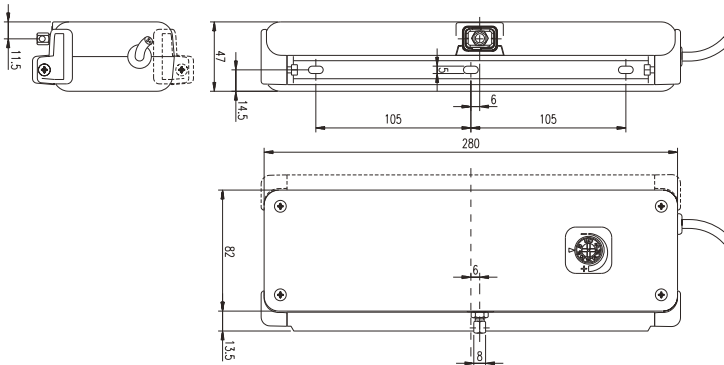
Bottom-Hung



Side-Hung



Please note: Don't forget to check stock levels before placing large orders.





Restrictor Stay

Auto-locking

Part Code:

- **CHL6243** *Left Hand (LH) Restrictor*
- **CHL6244** *Right Hand (RH) Restrictor*

Features:

- To suit side hung/top hung applications
- Auto-locking
- Release with key
- Suitable for uPVC, aluminium & timber windows
- Euro groove or surface mounted
- Can be retro-fitted
- Restricts sash to 100mm
- Does not come with screws or studs

Restrictor Cable

Window Lock

Part Code:

- **CHL4531** *White*
- **CHL7494** *Black*
- **CHL4742** *Anthracite Grey*
- **CHL5797** *Satin Chrome*

Features:

- Designed with Health and Safety in mind
- Complies to UKAS BS EN 14351-1: 2006
- Fitted with a five disc locking barrel
- Standard cable length of 200mm
- Suitable for wooden, uPVC, steel and aluminium materials



Finishes:



Enquire for more details

sales@commercialhardware.co.uk | **0333 355 3801**

OPEN A **TRADE ACCOUNT** TODAY

For ordering made easier, why not apply for a **Trade Account** today.

0333 355 3801

sales@commercialhardware.co.uk

Delivery Options

**covering all areas
to get the job done.**



Eco - 2 to 3 Working Days

No minimum order qty

Next Working Day

When Ordered Before 2pm

Before 12pm

Before 10:30am

Before 9am

Saturday Delivery

Before 6pm

Click & Collect

Order Online or Call up

Same Day Delivery

When Ordered Before 12pm

Follow us on Social Media!

Stay up to date on all our latest products, offers and much more!



@commercialhardwarelimited



@commercialhardware



commercial-hardware-ltd



@com_hardware

**DID
YOU
KNOW?**



Tilt & Turn Hardware

We now offer bespoke tilt & turn hardware systems from the leading brand Siegenia.



SIEGENIA®

Titan AF

16mm Euro Groove For Timber, UPVC & Aluminium



SIEGENIA®

ALU 5200

20mm Euro Groove For Aluminium



COMMERCIAL HARDWARE

SIEGENIA®



High-Security Hinges

Available in either face fixed or concealed.

IEGENIA®



ALU 5200
& Titan AF



High Security Window Handles

Designed to suit both 16 & 20mm euro groove aluminium systems. Available in most RAL colours

Full ranges available – Contact us today

0333 355 3801 – sales@commercialhardware.co.uk

www.commercialhardware.co.uk

Pop into our Trade Counter



Scan the QR above for Directions



We have over 3,000 products stocked



Verified Reviews



Commercial Hardware - Trade Counter

Opening Times: Mon-Fri 9am-4:30pm

**Unit 1C Neander, Lichfield Road Industrial Estate,
Tamworth, Staffordshire, B79 7XA.**

0333 355 3801

Door Closers

Transom Door Closer	9
Transom Accessories	11
Adjustable Power 2-4 & 2-5.....	12
Adjustable Power Guide Rail.....	13
Cam Action Size 1-4.....	14
Overhead Door Closer Size 1-6.....	15
Overhead Door Closer Size 2-6.....	16
Heavy Duty Universal Floor.....	17
Universal Floor Spring.....	18

Locks

Euro Profile Hook Lock.....	20
Round Cylinder Hook Lock.....	21
Euro Profile Deadlatch.....	22
Round Cylinder Deadlatch.....	23
High Security Hook Lock.....	24
Narrow Style Sashlock.....	25
Lock Accessories.....	26
Lever on Rose.....	27
Euro Cylinder Pull	27
Blank Repair Plate.....	27
Euro Escutcheon.....	27
Aluminium Pad Handle.....	28
Paddle Handle.....	28
Lever Handle.....	28
Radius Flushbolt.....	29
Squared Flushbolt.....	29
Top Centre.....	30

Cylinders

Euro Single.....	36
Euro Double.....	36
Cylinder And Turn.....	37
3 Star.....	37
ABS 3 Star.....	38
Rim Cylinder.....	39
Threaded Cylinder.....	39

Panic Hardware

Concealed Rod.....	42
Concealed Rod Paddle.....	43
Concealed Rod Soft Touch.....	44
Outside Locking Handle.....	45
Surface Mounted.....	47
Slimline Surface.....	48

Pull Handles

Cranked Back To Back.....	53
Semi Circular.....	54
Full Height	55
Guardsman T Handle.....	56

Access Controls

Universal 12/24v.....	59
Slimline Mag Lock.....	60
Z & L Brackets.....	60
Ultraline Strike.....	61
Sub Cover.....	61
Digital Lock For Aluminium Doors.....	62
Digital Lock With Optional Hold Back.....	62

Patch Fittings

Top And Bottom Rail.....	66
Top And Bottom Rail With Lock.....	66
Top Patch.....	67
Bottom Patch.....	67
Over Panel & Side Panel Patch.....	68
Over Panel & Side Panel Strike Box.....	68
Centre Lock.....	69
Centre Strike.....	69
Stainless Steel Top Pivot.....	70
Bottom Free Swing Pivot.....	70
Corner Patch Lock Strike.....	71

Window Controls

Operator Handle.....	74
Chain Openers.....	75
Conduit.....	76
Cable.....	76
Conduit Tool.....	76
Saddle Clips.....	76
Connectors.....	76
Fixing Plates.....	76
Electric Actuator Opener.....	77
Window Restrictor.....	78
Cable Window Restrictor.....	78

BLACK EDITION



COMMERCIAL HARDWARE

COMMERCIAL HARDWARE LTD

*Unit 1C Neander,
Lichfield Road Industrial Estate,
Tamworth, B79 7XA.*

T: 0333 355 3801

E: sales@commercialhardware.co.uk

W: www.commercialhardware.co.uk