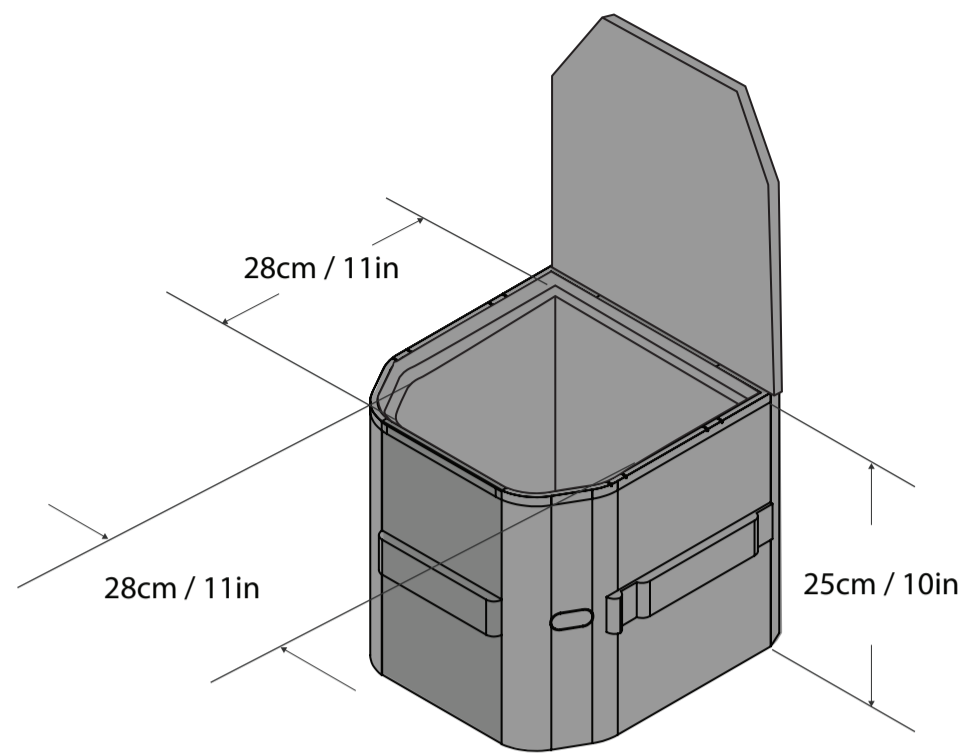
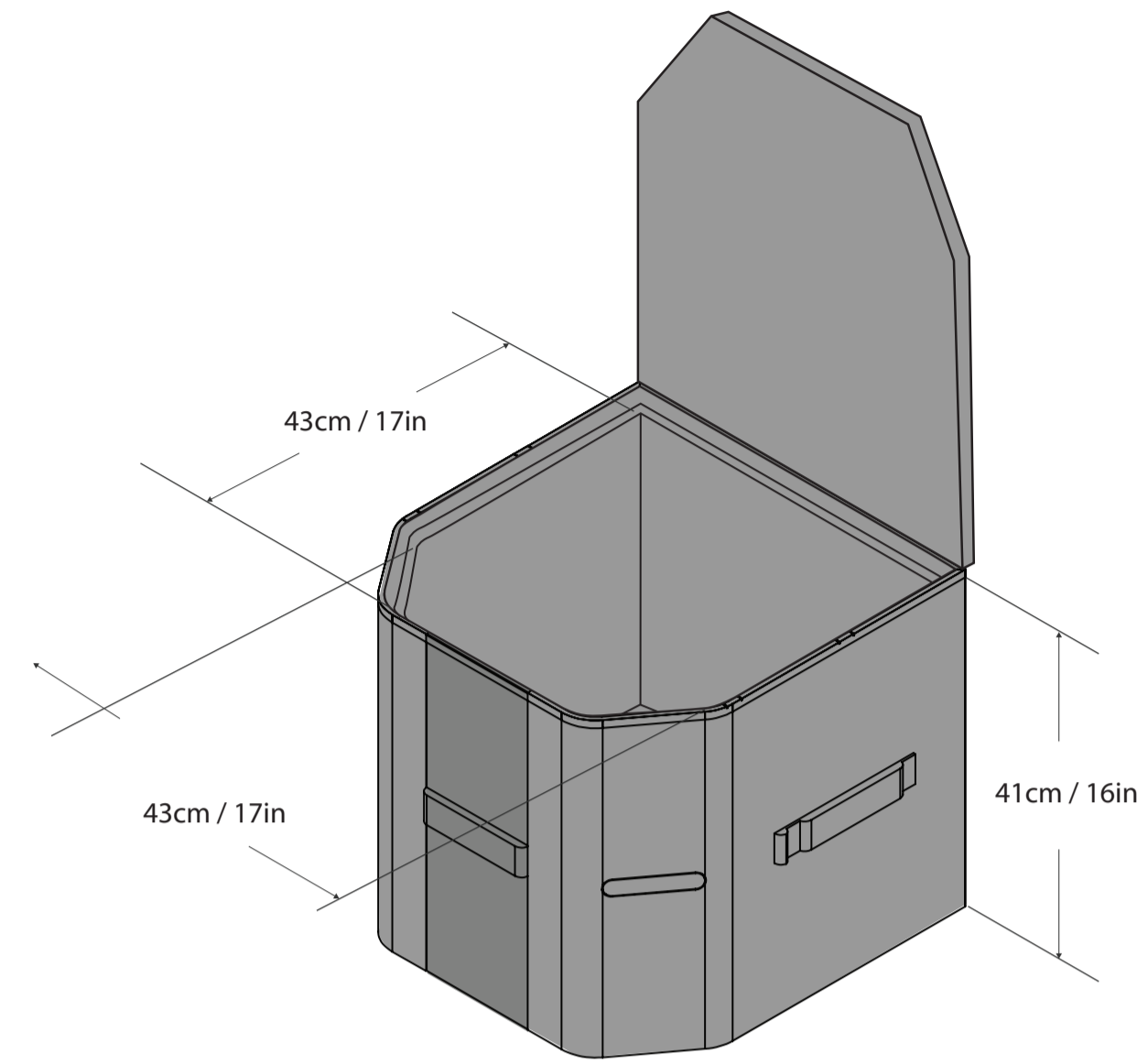


**VELOC DRUM BAGS - INTERIOR DIMENSIONS**

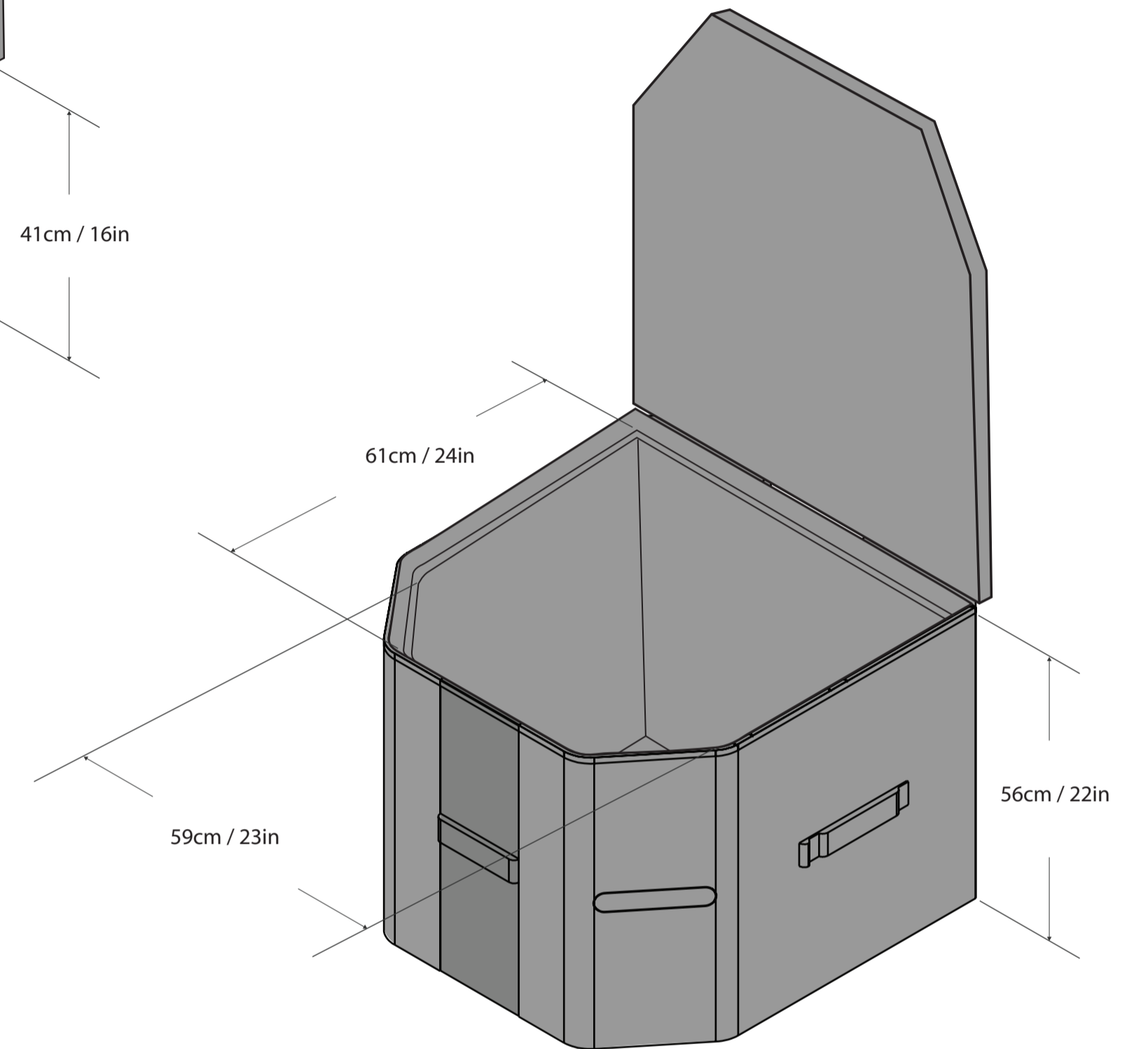
**8X10 TOM**



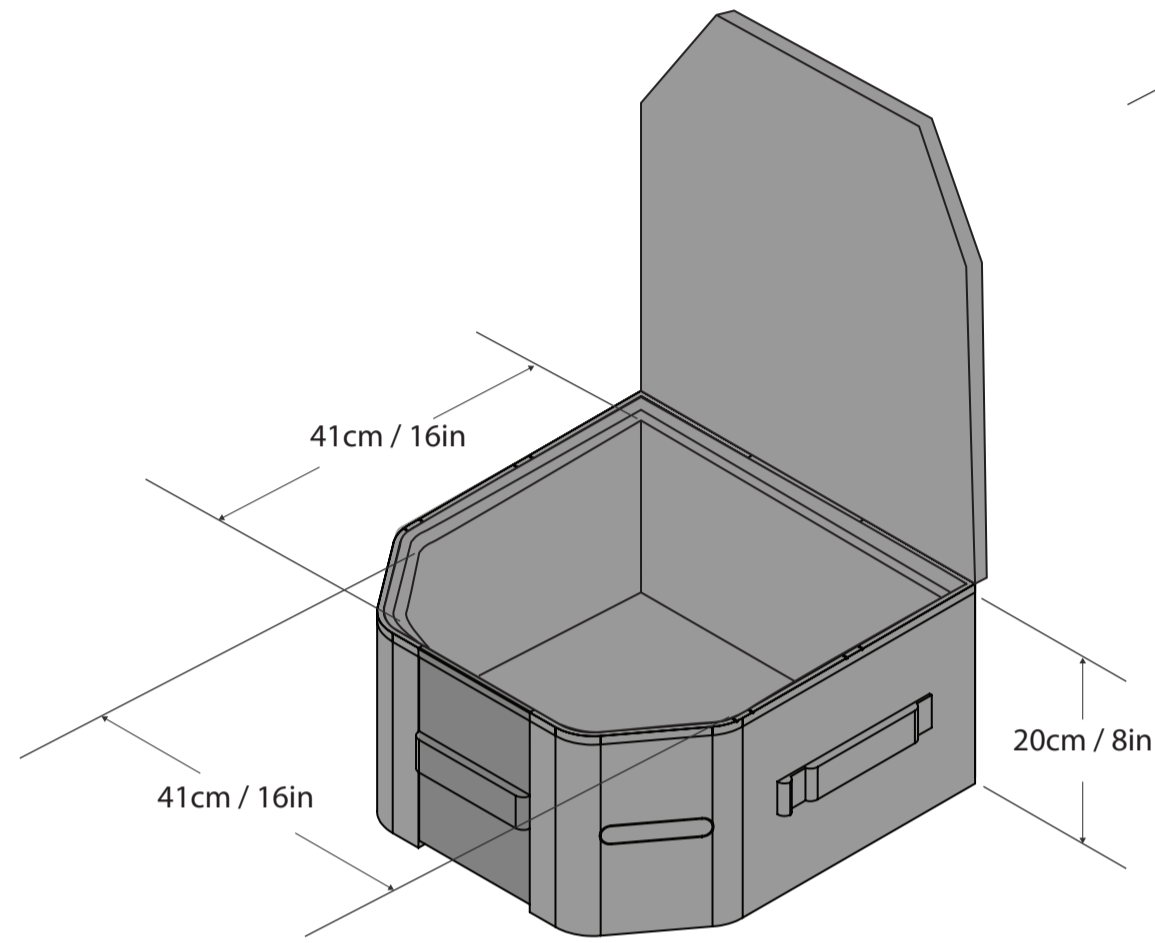
**14X16 TOM**



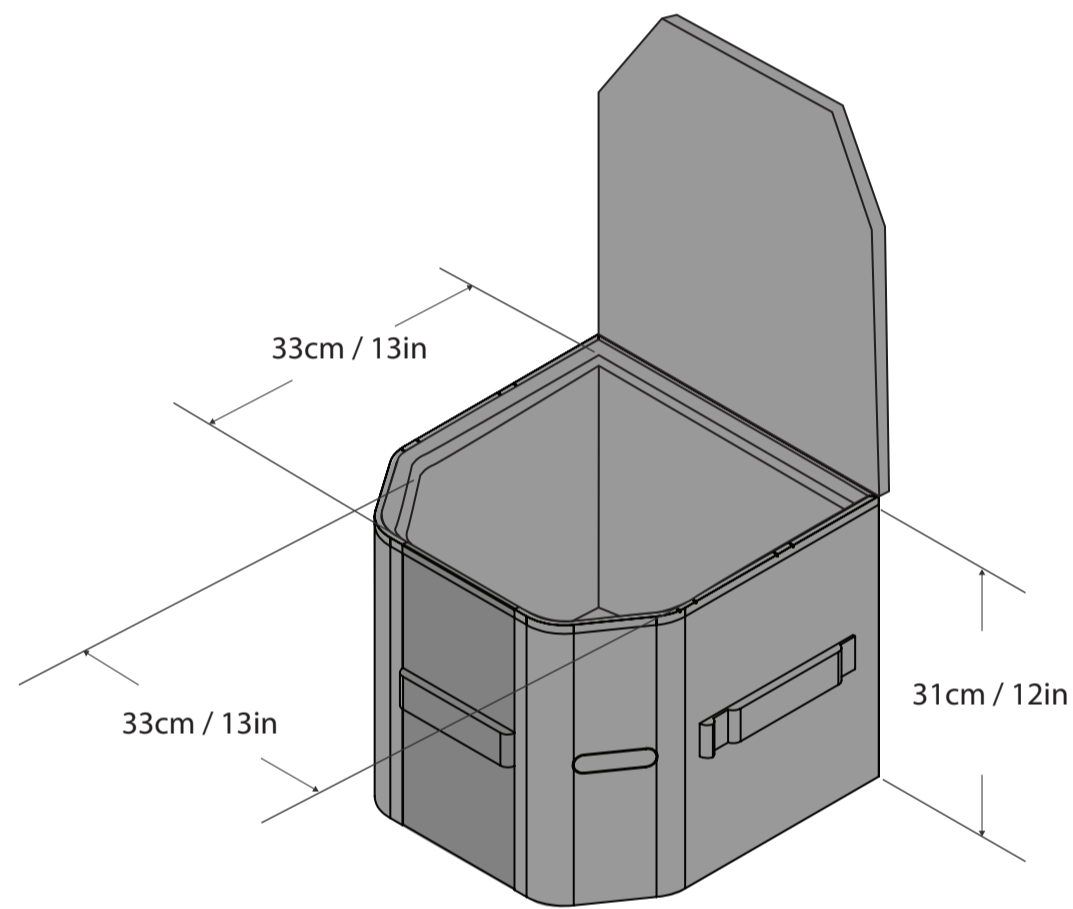
**18X22 KICK**



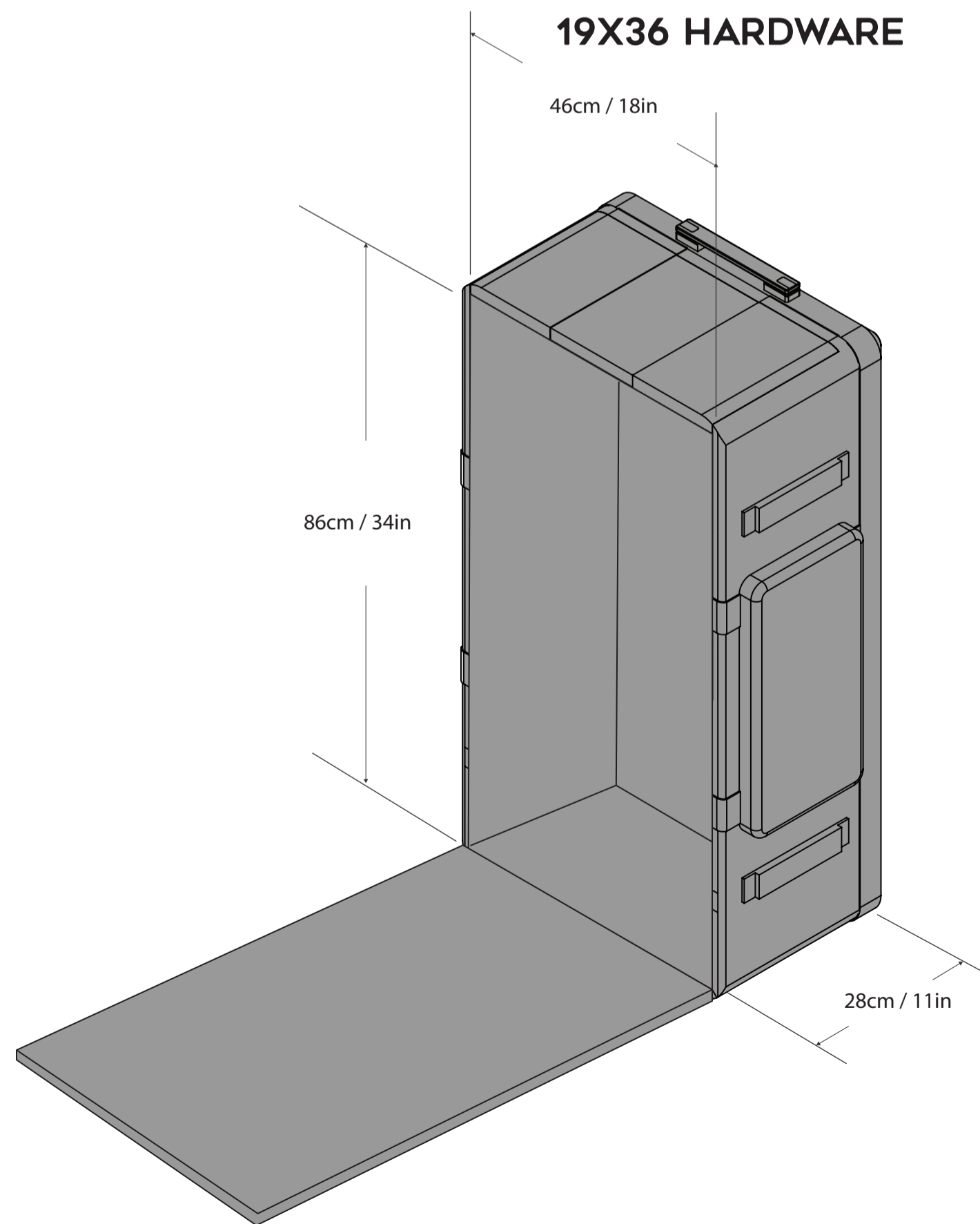
**6X14 SNARE**



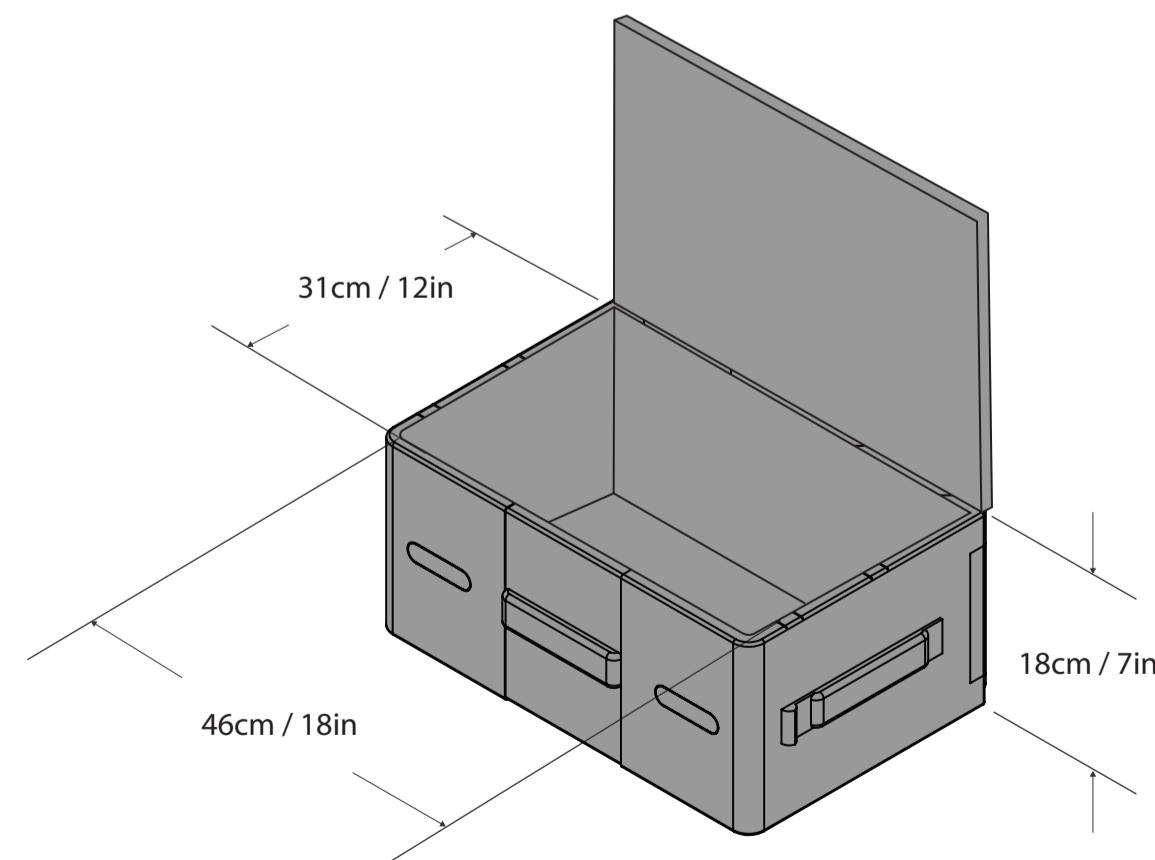
**10X12 TOM**



**19X36 HARDWARE**



**19X12 DOUBLE PEDAL**



**22" CYMBAL**

