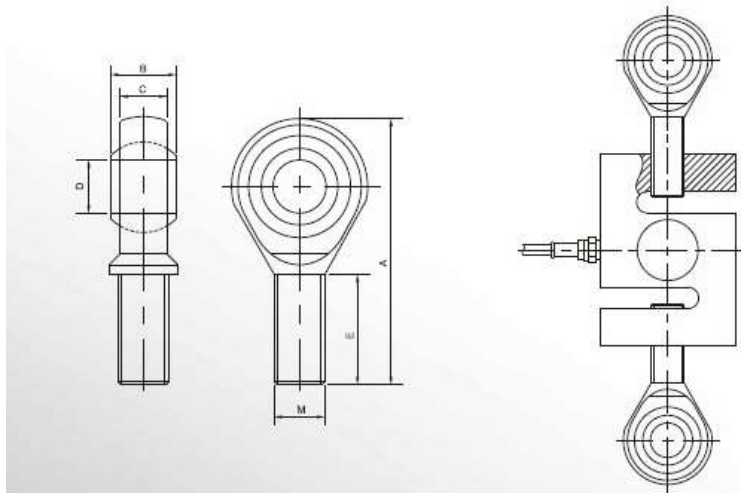


ROD ENDS FOR MT501 LOAD CELLS



Rod End Bearings (Tension Accessory) for use with MT501 & MT501H load cells

Rod End bearings are widely used with MT501 & MT501H load cells in various applications such as crane scales, hanging scales, packaging scales, material testing, hybrid (electro mechanical scales) and hopper scales.



Main Dimensions (in mm, except MPOSB16)

Part Number	MT501/MT501H Load Cell Capacity	Thread (M)	A	B	C	D	Thread Length (E)
MSA8T	50-100 kg	M8*1.25	54	12	9	8	25
MSA12T	250-1000 kg	M12*1.75	70	16	12	12	32
MSA20T	2000-5000 kg	M20*1.5	103	25	18	20	41
MSA25T	7500 kg	M24*2.0	124	31	22	25	55
MPOSB16	20 klb(9000 kg)	1 1/4" * 12UNF	5 1/2"	1 3/8"	1 1/4"	1"	2 1/8"
MGAR45 ET2RS	MT501H -15t & 20t	M42*3.0	214	32	27	45	94

Specifications are subject to change without notice for improvement

MSARE_REV01-28122011

