

MU-U Type Floor Scale

Made to Perform | Made to Weigh | Made to Last

Features

Heavy Duty Floor Scale

Capacities: 1500 and 3000kg

Tool Steel Load cells

Stainless Steel Junction Box

Rocker Pin Foot Assembly

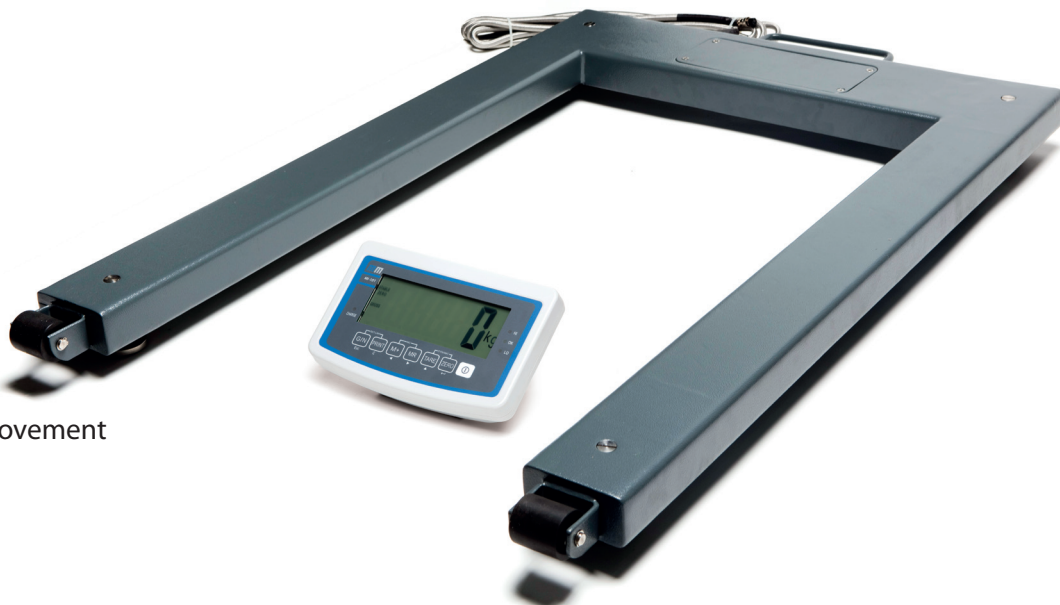
Adjustable height

5m Wire mesh cable

Pre calibrated at factory

MI101 Indicator

Wheel and handle for easy movement

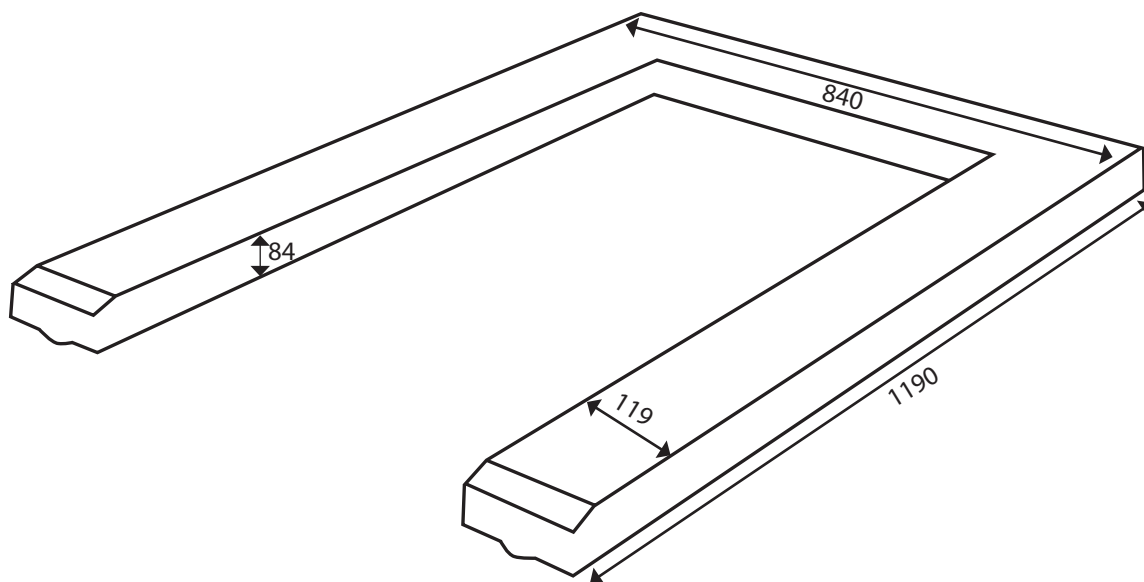


Options:

RS232 (MI101 Indicator)

Stainless Steel Frame

Dimension(mm)



Item Number

Capacity

Resolution

Size

MUT1500kgXXX

1500kg

0.5kg

119cm*84cm

MUT3000kgXXX

3000kg

1kg

119cm*84cm



Specifications are subject to change without notice for improvement

Millennium Mechatronics Limited | New Zealand
Email: info@meltrons.com | www.meltrons.com

