

# MT712 Load Cell



| <u>Features</u>              | <u>Applications</u>     |
|------------------------------|-------------------------|
| Hollow Structure             | Process Control Devices |
| Tool Steel Construction      | Rolling mills           |
| Low Profile                  | Rope tension            |
| Capacities from 0.5t to 300t | Force Measurements      |

## Specifications

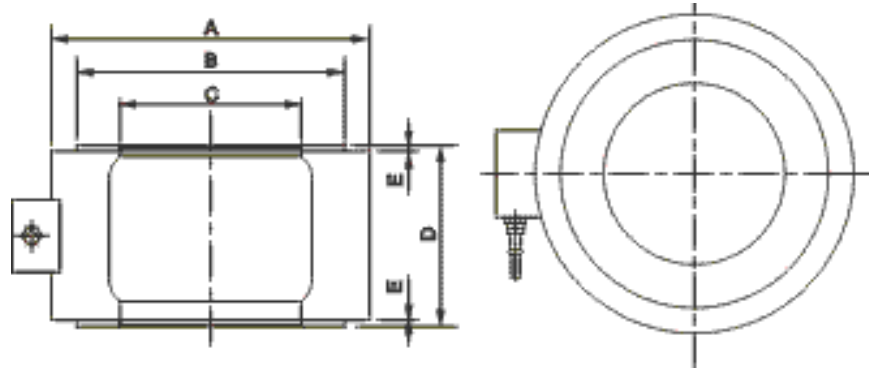
|                                   |           |   |
|-----------------------------------|-----------|---|
| Capacity                          | t         | 0.5, 1, 2, 3, 5, 10, 20, 50, 100, 200, 300t |
| Combined Error                    | (%FS)     | ≤±0.1 (0.5-100t), 0.25% (200 & 300t)        |
| Creep (30 minutes)                | %FS/30min | ≤±0.1                                       |
| Temperature effect on sensitivity | (%FS/10C) | ≤±0.05                                      |
| Temperature effect on zero        | (%FS/10C) | ≤±0.1                                       |
| Output sensitivity                | (mv/v)    | 1.0±0.1                                     |
| Input resistance                  | (Ω)       | 385+/-15                                    |
| Output resistance                 | (Ω)       | 350+/-3.5                                   |
| Insulation resistance             | (MΩ)      | ≥ 5000 (50VDC)                              |
| Zero balance                      | (%FS)     | 2.0   |
| Temperature, Compensated          | (°C)      | -10~+50                                     |
| Temperature, Operating            | (°C)      | -20~+60                                     |
| Excitation, Recommended           | (V)       | 5~12(DC)                                    |
| Excitation, Max                   | (V)       | 18(DC)                                      |
| Safe overload                     | (%FS)     | 150   |
| Ultimate overload                 | (%FS)     | 300   |



Millennium Mechatronics Limited  
 Email: [info@meltrons.com](mailto:info@meltrons.com) | [www.meltrons.com](http://www.meltrons.com)



# MT712 Load Cell



| Capacity (t) | 0.5t | 1t | 2t, 3 t | 5t | 10t | 20t | 50t | 100t | 200t | 300t |
|--------------|------|----|---------|----|-----|-----|-----|------|------|------|
| Dim A        | 40   | 62 | 62      | 60 | 60  | 90  | 115 | 166  | 236  | 236  |
| B            | 35   | 55 | 55      | 36 | 36  | 68  | 109 | 141  | 190  | 195  |
| C            | 10   | 18 | 18      | 18 | 18  | 43  | 80  | 85   | 120  | 120  |
| D            | 52   | 72 | 72      | 72 | 80  | 82  | 114 | 114  | 126  | 126  |
| E            | 3    | 3  | 3       | 3  | 3   | 5   | 6   | 7    | 7    | 7    |

## Dimensions (mm)

### Cable

4 Core, 5.4 mm dia (3-300t) , 6m long

4 Core, 4 mm dia (0.5-2t) , 4m long

### Color Code

Exc+ Red, Exc- Black

Sig+ Green, Sig- White

Screen- Transparent

Specifications are subject to change without notice for improvement

MT712EV01-07012012



Millennium Mechatronics Limited  
Email: [info@meltrons.com](mailto:info@meltrons.com) | [www.meltrons.com](http://www.meltrons.com)

