

MT705 Load Cell



Features	Applications
Hermitically Sealed, IP68	Hopper , Tank and Silo Weighing
Laser welded	Process Weighing
Stainless Steel Casing	Truck scales
Excellent self centering	High Capacity Scales

Specifications

Capacity	t	5, 10, 20 ,30t and 50t
Combined Error	(%FS)	≤±0.030
Creep (30 minutes)	%FS/30min	≤±0.025
Temperature effect on sensitivity	(%FS/10C)	≤±0.015
Temperature effect on zero	(%FS/10C)	≤±0.020
Output sensitivity	(mv/v)	1.5±0.01
Input resistance	(Ω)	670+/-15
Output resistance	(Ω)	600 +/-6
Insulation resistance	(MΩ)	≥ 5000 (50VDC)
Zero balance	(%FS)	1.0
Temperature, Compensated	(°C)	-10~+50
Temperature, Operating	(°C)	-25~+65
Excitation, Recommended	(V)	5~12(DC)
Excitation, Max	(V)	18(DC)
Safe overload	(%FS)	150
Ultimate overload	(%FS)	225

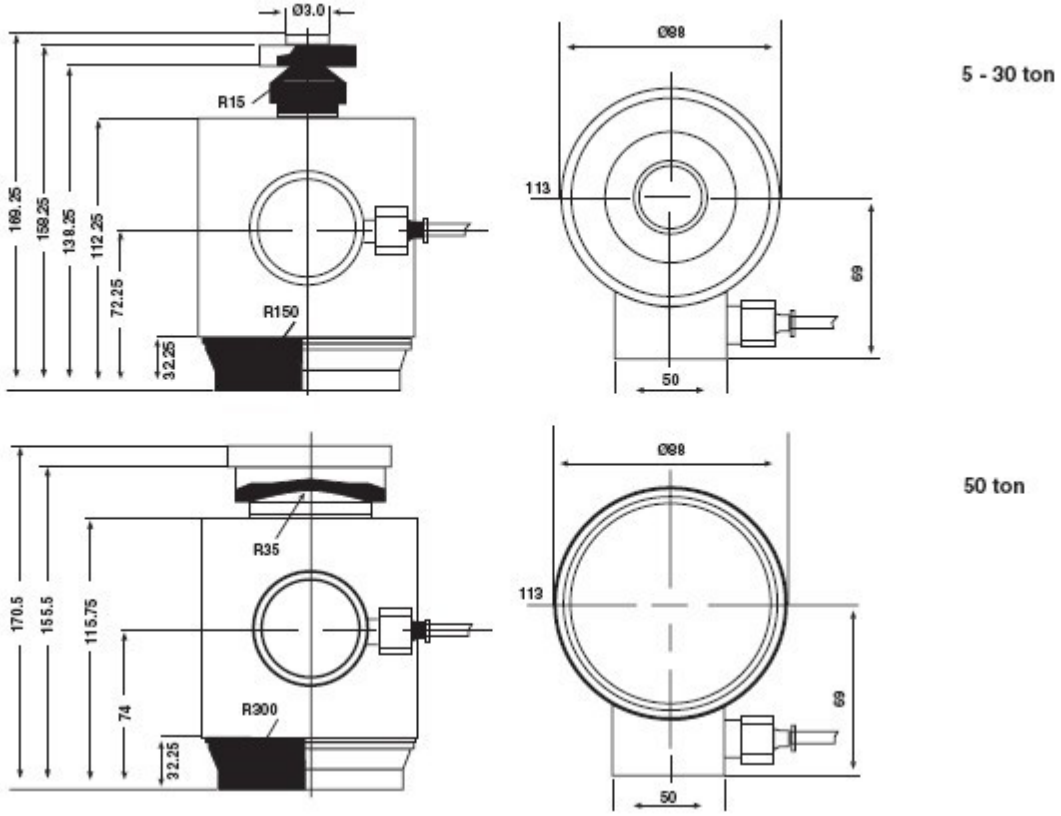


Millennium Mechatronics Limited
Email: info@meltrons.com | www.meltrons.com



MT705 Load Cell

OUTLINE DIMENSIONS in millimeters



Dimensions (mm)

Cable

6 Core, 6.2mm dia , Cable Length: 12m

Color Code

- Exc+ Red, Exc- Black
- Sig+ Green, Sig- White
- Sense+ Blue, Sense- Yellow
- Screen- Transparent

Specifications are subject to change without notice for improvement

MT705EV01-05012012



Millennium Mechatronics Limited
 Email: info@meltrons.com | www.meltrons.com

