

# MT703L Load Cell



<b>Features</b>	
Capacities 50kg to 1000kg	Easy Installation
Stainless Steel Construction	IP 68 Sealing
Ideal for tanks and Hoppers	Hermetically Sealed
Low Profile	Reliable Performance

## Specifications

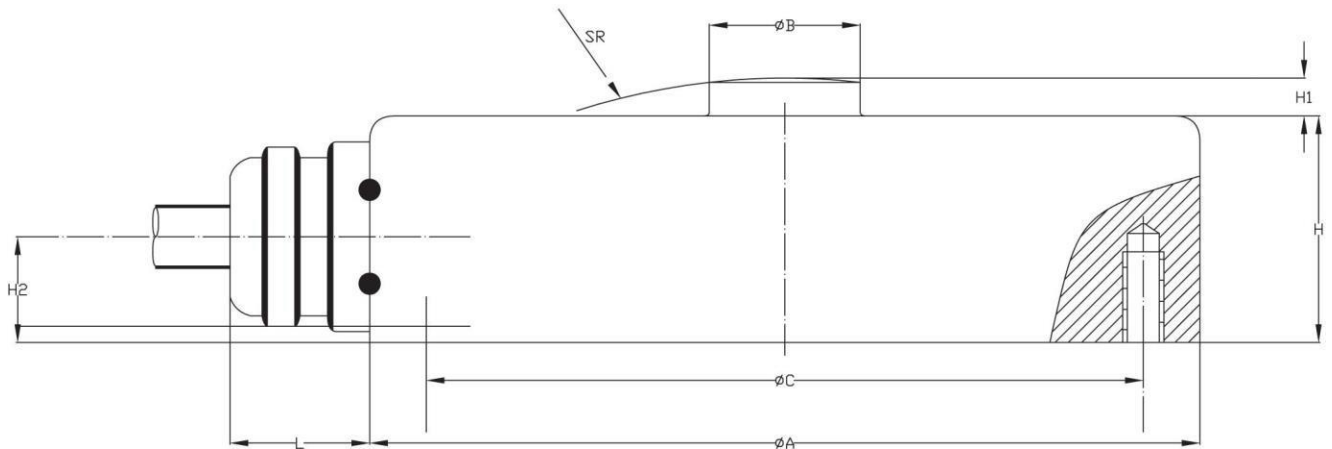
Capacity	kg	100, 250, 500, 1000
Combined Error	(%FS)	±0.10
Creep (30 minutes)	%FS/30min	±0.070
Temperature effect on sensitivity	(%FS/10C)	±0.025
Temperature effect on zero	(%FS/10C)	±0.025
Output sensitivity	(mv/v)	2.0±0.02
Input resistance	(Ω)	350+/-5
Output resistance	(Ω)	350+/-3.5
Insulation resistance	(MΩ)	≥ 5000 (50VDC)
Zero balance	(%FS)	2.0
Temperature, Compensated	(°C)	-10 ~ +40
Temperature, Operating	(°C)	-20 ~ +60
Excitation, Recommended	(V)	5 ~ 12(DC)
Excitation, Max	(V)	18(DC)
Safe overload	(%FS)	150
Ultimate overload	(%FS)	300



Millennium Mechatronics Limited  
 Email: [info@meltrons.com](mailto:info@meltrons.com) | [www.meltrons.com](http://www.meltrons.com)



# MT703L Load Cell



Capacity (kg)	A	B	C (Pitch Circle dia)	H	H1	H2	L	SR	M (4 tapped holes at 90° , at C PCD)
100 to 1000 kg	65	10	57	21	4	9	18.5	20	M5*0.8, 8 deep

## Dimensions (mm)

### Cable

4 Core, 5 mm dia

Cable Length: 3m

### Color Code

Exc+ Red, Exc- Black

Sig+ Green, Sig- White

Screen- Transparent

Specifications are subject to change without notice for improvement

MT703LEV01-08032020



Millennium Mechatronics Limited  
Email: [info@meltrons.com](mailto:info@meltrons.com) | [www.meltrons.com](http://www.meltrons.com)

