

MT703 Load Cell



Features	
Capacities 2.5t to 50t	Easy Installation
Stainless Steel Construction	IP 68 Sealing
Ideal for tanks and Hoppers	Hermetically Sealed
Low Profile	Reliable Performance

Specifications

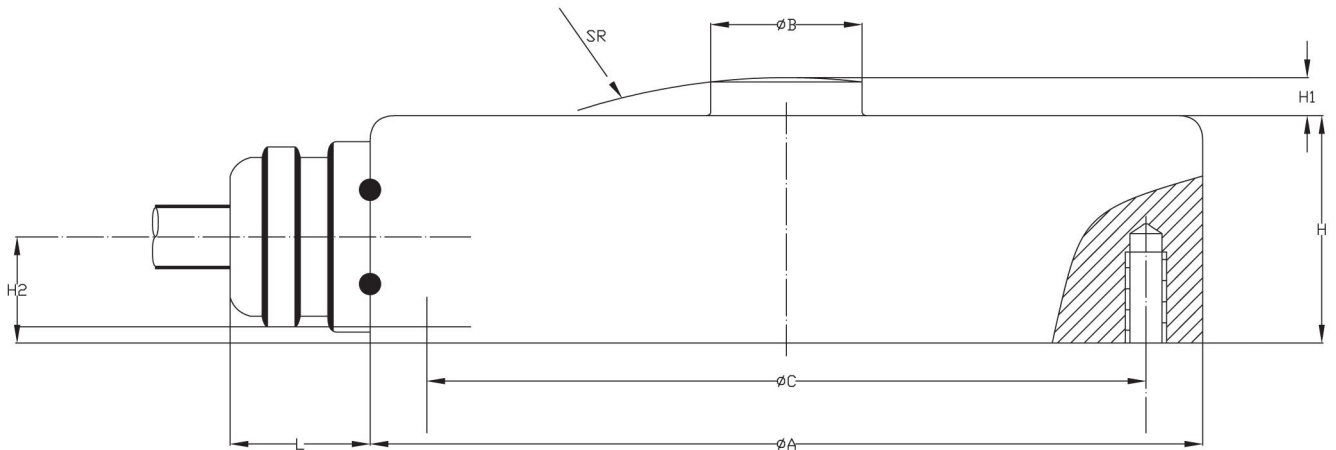
Capacity	tonnes	2.5, 5, 10, 25 and 50
Combined Error	(%FS)	$\leq \pm 0.070$
Creep (30 minutes)	%FS/30min	$\leq \pm 0.070$
Temperature effect on sensitivity	(%FS/10C)	$\leq \pm 0.025$
Temperature effect on zero	(%FS/10C)	$\leq \pm 0.025$
Output sensitivity	(mv/v)	2.0 ± 0.02
Input resistance	(Ω)	350 ± 5
Output resistance	(Ω)	350 ± 3.5
Insulation resistance	(M Ω)	≥ 5000 (50VDC)
Zero balance	(%FS)	2.0
Temperature, Compensated	($^{\circ}$ C)	-10 ~ +40
Temperature, Operating	($^{\circ}$ C)	-20 ~ +60
Excitation, Recommended	(V)	5 ~ 12(DC)
Excitation, Max	(V)	18(DC)
Safe overload	(%FS)	150
Ultimate overload	(%FS)	300



Millennium Mechatronics Limited
Email: info@meltrons.com | www.meltrons.com



MT703 Load Cell



Capacity (t)	A	B	C (Pitch Circle dia)	H	H1	H2	L	SR	M (4 tapped holes at 90°, at C PCD)
2.5	65	10	54.2	21	4	9	18.5	20	M5*0.8, 8 deep
5	110	20	95	30	5	14	18.5	90	M6*1, 12 deep
10	125	20	105	35	5	14	18.5	90	M6*1, 12 deep
25	135	32	115	50	10	14	18.5	160	M12*1.75, 20 deep
50	175	45	145	53	12	14	18.5	160	M12*1.75, 20 deep

Dimensions (mm)

Cable

4 Core, 5 mm dia

Cable Length: 5m (2.5-10t) , 10m (25 and 50t)

Color Code

Exc+ Red, Exc- Black

Sig+ Green, Sig- White

Screen- Transparent

Specifications are subject to change without notice for improvement

MT703EV01-07062012



Millennium Mechatronics Limited
Email: info@meltrons.com | www.meltrons.com

