

MT502A Load Cell Assembly



Features

Tool Steel Construction

With Tension Base

Electroless Nickel plated

IP67 Sealing

Welded Sealing

Applications

- **Testing machines**
- **Overhead weighing**
- **Suitable for compression and tension applications**

Specifications

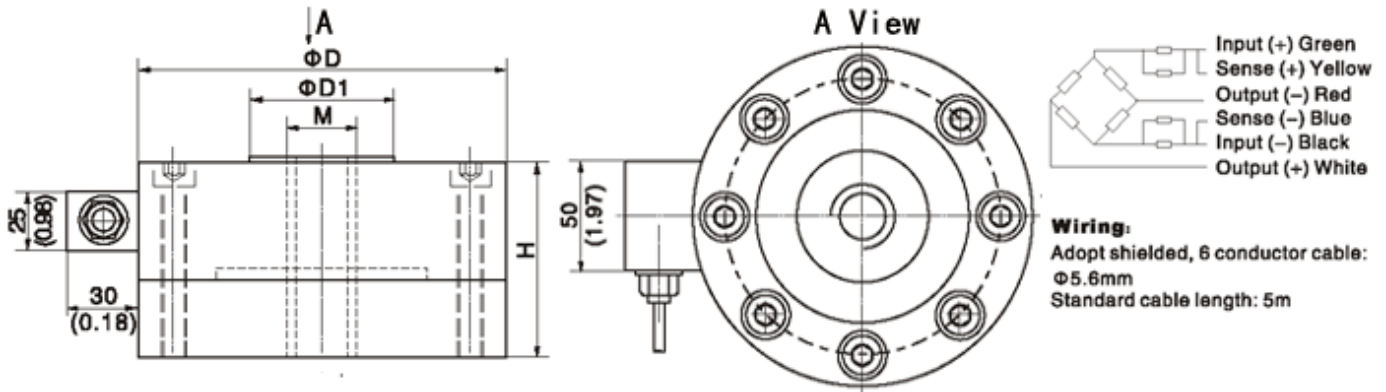
Capacity	t	1,2,5,10,20,50
Combined Error	(%FS)	$\leq \pm 0.050$ (1-20t) , 0.1%(50t)
Creep (30 minutes)	%FS/30min	$\leq \pm 0.050$
Temperature effect on sensitivity	(%FS/10C)	$\leq \pm 0.050$
Temperature effect on zero	(%FS/10C)	$\leq \pm 0.050$
Output sensitivity	(mv/v)	2.0 \pm 0.01
Input resistance	(Ω)	350+/-5
Output resistance	(Ω)	350+/-3
Insulation resistance	(M Ω)	≥ 5000 (50VDC)
Zero balance	(%FS)	1.0
Temperature, Compensated	($^{\circ}$ C)	-10 \sim +40
Temperature, Operating	($^{\circ}$ C)	-25 \sim +65
Excitation, Recommended	(V)	5 \sim 12(DC)
Excitation, Max	(V)	18(DC)
Safe overload	(%FS)	150
Ultimate overload	(%FS)	300



Millennium Mechatronics Limited
 Email: info@meltrons.com | www.meltrons.com



MT502A Load Cell Assembly



Capacity	D	D1	H	M	Pitch Circle Dia of Bolts
1t	105	28	70	M14*2	89
2t	105	28	70	M14*2	89
5t	120	33	80	M20*1.5	96.5
10t	155	61	90	M32*2	128
20t	155	61	90	M32*2	128
50t	200	75	120	M45*3	156.5

Dimensions (mm)

Wiring Code

Cable length 5 m long, 5.8mm dia, 6 core

Green Exc+ , Yellow Sense+

Black Exc- , Blue Sense-

White Signal+ , Red Signal-

Specifications are subject to change without notice for improvement



Millennium Mechatronics Limited
 Email: info@meltrons.com | www.meltrons.com

