

MT412 CHASSIS LOAD CELL

Features

- Double Ended Shear beam
- Silicone Sealed with cover
- Tool Steel Construction
- Electroless Nickel Plated
- Easy to Install



Applications

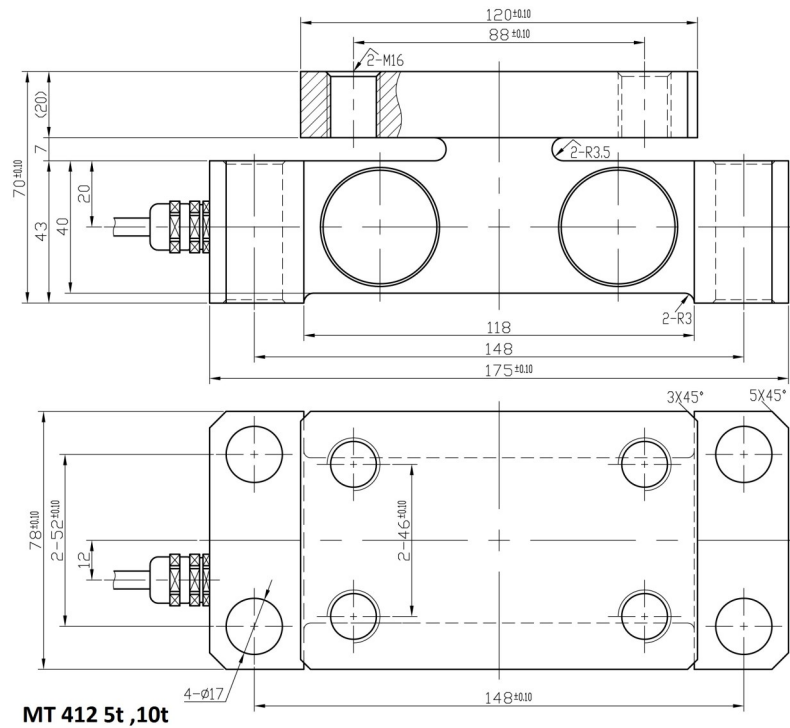
- On-board weighing
- Tanks and Hopper weighing
- Pallet Scales

Specifications

Capacity	t	2, 5, 10
Combined Error	(%FS)	$\leq \pm 0.050$
Creep (30 minutes)	%FS/30min	$\leq \pm 0.025$
Temperature effect on sensitivity	(%FS/10C)	$\leq \pm 0.016$
Temperature effect on zero	(%FS/10C)	$\leq \pm 0.030$
Output sensitivity	(mv/v)	1.5 \pm 0.01(2t) , 2 \pm 0.01 (5 and 10t)
Input resistance	(Ω)	770+/-30
Output resistance	(Ω)	700 +/-7
Insulation resistance	(M Ω)	≥ 5000 (50VDC)
Zero balance	(%FS)	2.0
Temperature, Compensated	($^{\circ}$ C)	-10 ~ +40
Temperature, Operating	($^{\circ}$ C)	-35 ~ +65
Excitation, Recommended	(V)	5 ~ 12(DC)
Excitation, Max	(V)	18(DC)
Safe overload	(%FS)	150
Ultimate overload	(%FS)	225



MT412 CHASSIS LOAD CELL



Dimensions (mm)

Cable

4 Core, 5.6 mm dia

Cable Length: 5m

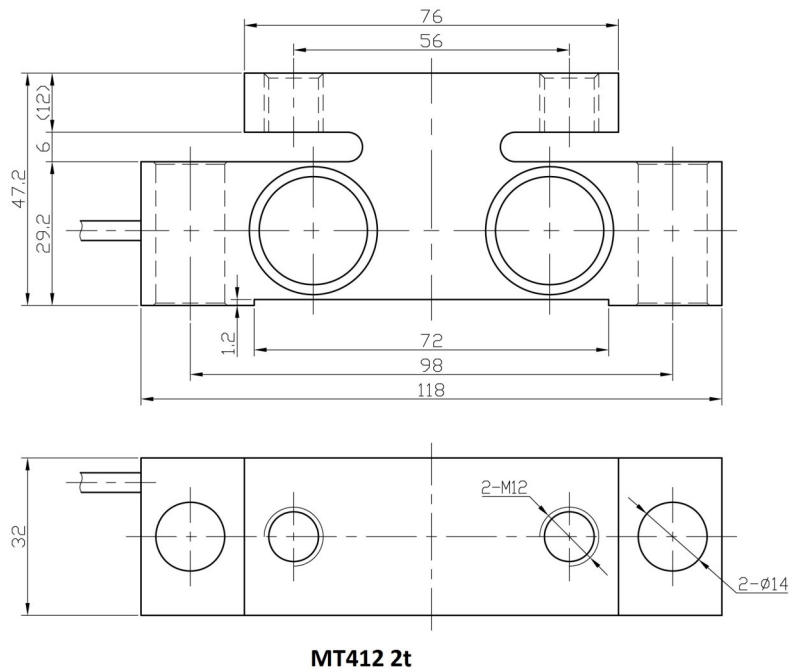
Color Code

Exc+ Red, Exc- Black

Sig+ Green, Sig- White

Screen- Transparent

Socket Head Cap Screws are recommended for mounting



Specifications are subject to change without notice for improvement

MT412T REV01-29012012



Millennium Mechatronics Limited
Email: info@meltrons.com | www.meltrons.com

