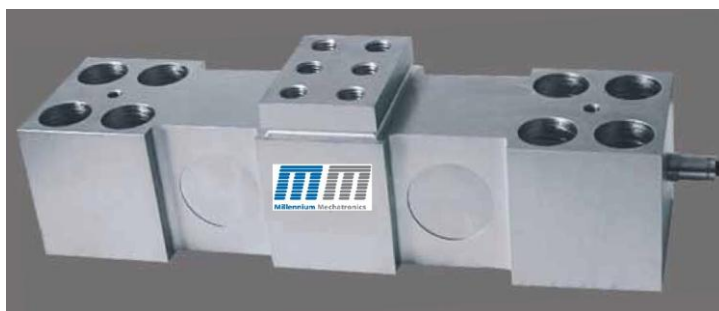


MT409HT LOAD CELL



MT409HT High Temperature Load cell

<p><u>Features</u></p> <p>Double ended shear beam</p> <p>Tool Steel Construction</p> <p>205 Degree C Operating Temperature</p> <p>Plated</p> <p>700 ohm bridge resistance</p>	<p>Simple to Install</p> <p><u>Applications</u></p> <p>Steel Rolling Mills</p> <p>Steel Ladle scale</p> <p>Travelling Crane scale</p> <p>Steel Industry</p>
--	--

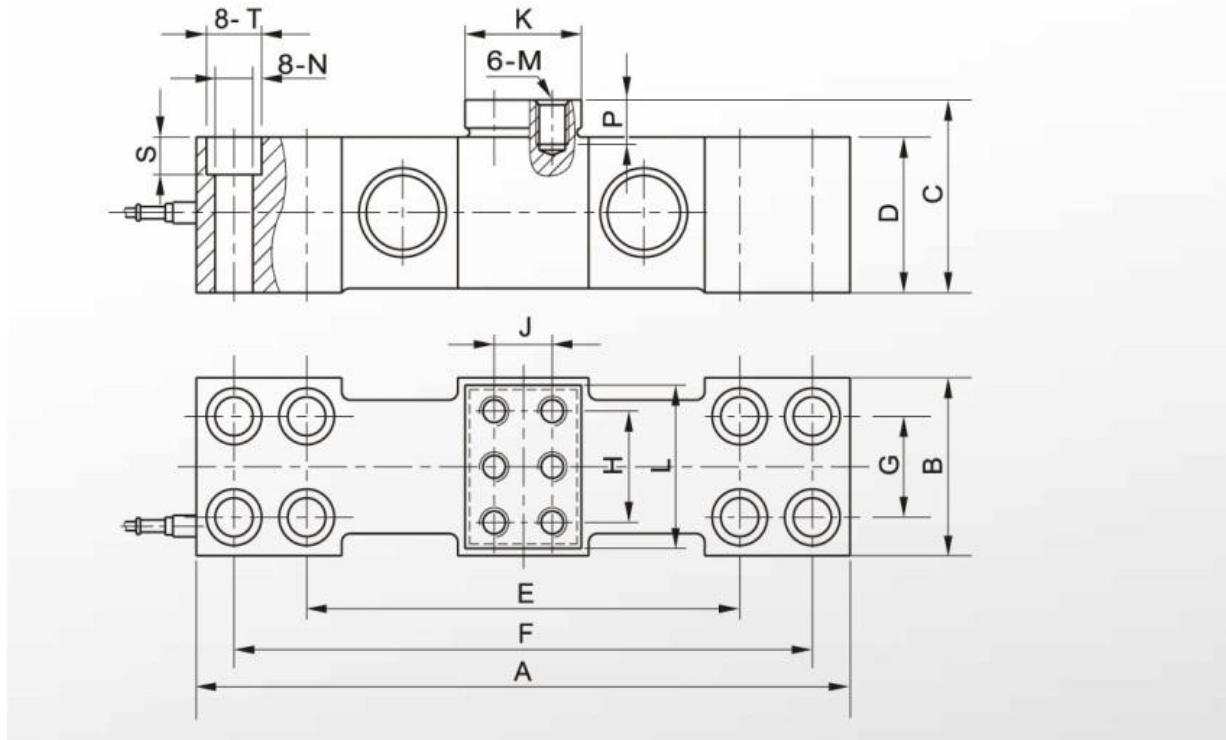
Specifications

Capacities	t	50,100,150 and 200
Combined Error	(%FS)	≤±0.1
Creep	%FS/30min	≤±0.025
Temperature effect on sensitivity	(%FS/10C)	≤±0.025
Temperature effect on zero	(%FS/10C)	≤±0.025
Output sensitivity	(mv/v)	1.50±0.01
Input resistance	(Ω)	770±25
Output resistance	(Ω)	700±7
Insulation resistance	(MΩ)	≥ 5000(50VDC)
Zero balance	(%FS)	1.0
Temperature, Compensated	(°C)	-10~+180
Temperature, Operating	(°C)	-35~+205
Excitation, Recommended	(V)	5~12(DC)
Excitation, Max	(V)	18(DC)
Safe overload	(%FS)	120
Ultimate overload	(%FS)	225



MT409HT LOAD CELL

Dimensions in mm



Capacity	A	B	C	D	E	F	G	H	J	K	L	M	N	S	P	T
50t	450	120	130	105	298	398	68	75	40	80	110	M20	26	25	30	36
100t	500	140	143	118	336	444	80	90	44	90	130	M24	30	28	36	45
150t	560	160	158	133	372	500	94	102	44	90	150	M24	30	32	36	45
200t	620	180	175	150	400	560	114	110	44	90	160	M24	30	32	36	45

Cable

4 Core, 6mm dia , High Temperature cable

Cable Length: 10m

Color Code

Exc+ Red, Exc- Black

Sig+ Green, Sig- White

Screen- Transparent

