

MT405 Load Cell



Features	Applications
Low profile	Low profile platform scales
Tool Steel construction	Floor Scales
Shear Beam	Process Weighing
Electroless Nickel Plated	Industrial weighing
Simple to Install	

Specifications

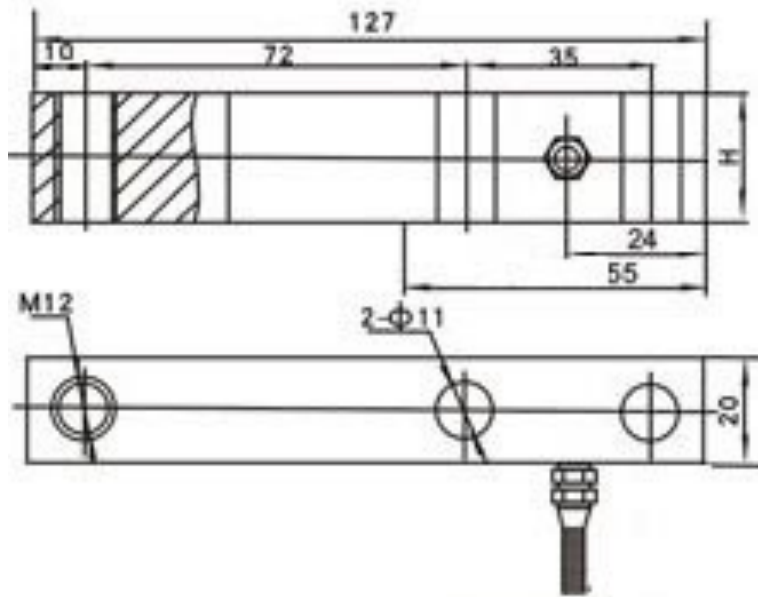
Capacity	Kg	100kg, 250kg, 500kg and 1000kg
Combined Error	(%FS)	≤±0.025
Creep (30 minutes)	%FS/30min	≤±0.024
Temperature effect on sensitivity	(%FS/10C)	≤±0.010
Temperature effect on zero	(%FS/10C)	≤±0.016
Output sensitivity	(mv/v)	2.00±0.01
Input resistance	(Ω)	390+/-20
Output resistance	(Ω)	350 +/-3
Insulation resistance	(MΩ)	≥ 5000 (50VDC)
Zero balance	(%FS)	1.0
Temperature, Compensated	(°C)	-10~+50
Temperature, Operating	(°C)	-25~+65
Excitation, Recommended	(V)	5~12(DC)
Excitation, Max	(V)	18(DC)
Safe overload	(%FS)	150
Ultimate overload	(%FS)	225



Millennium Mechatronics Limited
 Email: info@meltrons.com | www.meltrons.com



MT405 Load Cell



Height (H)

100kg - 20mm

250kg - 18mm

500 and 1000kg - 24mm

Dimensions (mm)

Cable

6 Core, 5.6 mm dia

Cable Length: 3m

Color Code

Exc+ Red, Exc- Black

Sig+ Green, Sig- White

Sense+ Blue, Sense - Brown

Screen- Yellow

Specifications are subject to change without notice for improvement

MT405EV01-06012012



Millennium Mechatronics Limited
Email: info@meltrons.com | www.meltrons.com

