

MT401S Load Cell



<u>Features</u>	<u>Applications</u>
Low profile	Low profile platform scales
Stainless Steel construction	Floor Scales Process
2mV/V signal	Weighing Industrial
Shear Beam	weighing
Welded	Washdown applications

Specifications

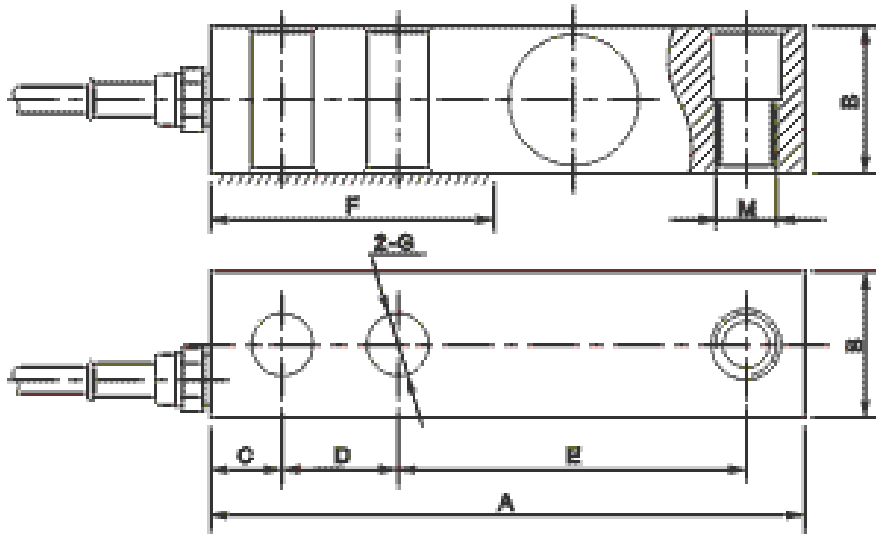
Capacity	Kg	500, 1000, 2000, 2500, 5000 , 7500 and 10000 kg
Combined Error	(%FS)	≤±0.025
Creep (30 minutes)	%FS/30min	≤±0.024
Temperature effect on sensitivity	(%FS/10C)	≤±0.010
Temperature effect on zero	(%FS/10C)	≤±0.016
Output sensitivity	(mv/v)	2.0±0.01
Input resistance	(Ω)	385+/-20
Output resistance	(Ω)	350 +/-3
Insulation resistance	(MΩ)	≥ 5000 (50VDC)
Zero balance	(%FS)	1.0
Temperature, Compensated	(°C)	-10 ~ +50
Temperature, Operating	(°C)	-25 ~ +65
Excitation, Recommended	(V)	5 ~ 12(DC)
Excitation, Max	(V)	18(DC)
Safe overload	(%FS)	150
Ultimate overload	(%FS)	225



Millennium Mechatronics Limited
 Email: info@meltrons.com | www.meltrons.com



MT401S Load Cell



Capacity (kg)	A	B	C	D	E	F	G	Thread M
500-2000	130	31.8	15.7	25.4	76.2	57	13.5	M12*1.75P
2500-5000	171.5	38.1	19.1	38.1	95.3	76	20.0	M18*1.5P
7500-10000	222.3	50.8	25.4	50.8	123.8	102	27.0	M24*2P

Dimensions (mm)

Cable

4 Core, 5.6 mm dia

Cable Length: 4m

Color Code

Exc+ Red, Exc- Black

Sig+ Green, Sig- White

Screen- Transparent

Specifications are subject to change without notice for improvement

MT401SS REV01-24012012



Millennium Mechatronics Limited
 Email: info@meltrons.com | www.meltrons.com

