

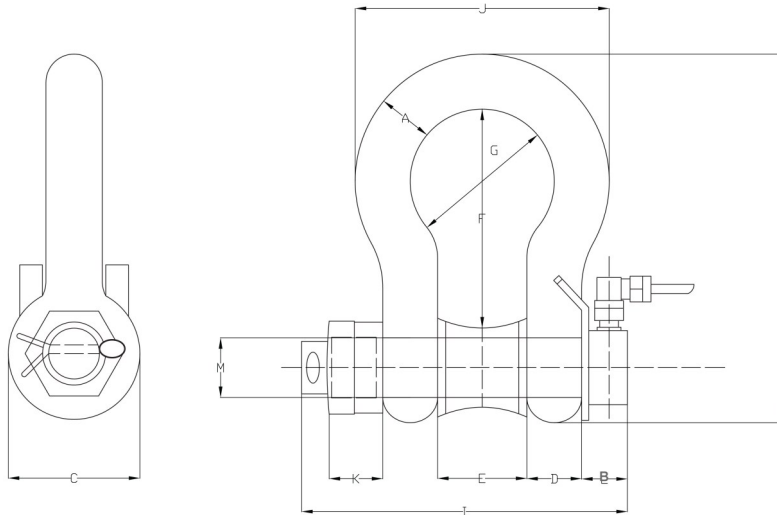
MSW Shackle Weigher

Features

- 5, 10 and 20t Capacities
- Double Ended Shear beam
- Stainless Steel Load pin
- Laser welded load pin
- Fully Assembled
- MI104 Indicator



Specifications



Capacity	A	B	C	D	E	F	G	H	I	J	K	M
5t*0.005t	30	25	69	29	47	102	74	194	165	131	14	34
10t*0.010t	39	30	92	38	60	138	98	257	205	177	24	42
20t*0.020t	50	32	122	49	82	180	140	330	280	240	37	60