

MDM-W Dynamometer

Features

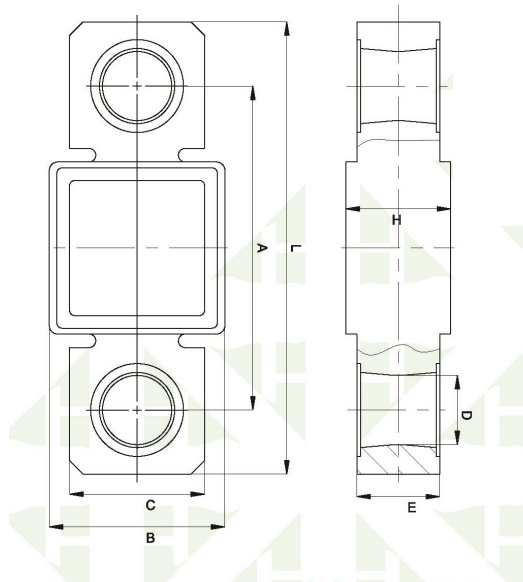
- 0.5t to 50t, in 7 capacities
- Accuracy 0.1%
- Light weight
- Compact design
- Handheld indicator

Options:

- ◇ Green Pin Shackles (Rated) up to 10t



Dimensions



Capacity(t)	Division (kg)	L	B	C	H	E	A	D (Dia)
1	0.5	204	99	46	50	30	158	26
3	1	204	99	46	50	30	158	26
5	2	222	99	60	58	35	158	28
10	5	270	104	80	63	49	192	40
20	10	345	120	120	66	66	232	55
30	10	394	132	132	72	73	264	66
50	20	500	120	150	100	100	340	80