

MCRX Crane Scale

Features

Capacities - 1t, 3t, 5t and 10t

Bright LED Display

Remote Controller

40mm LED Display

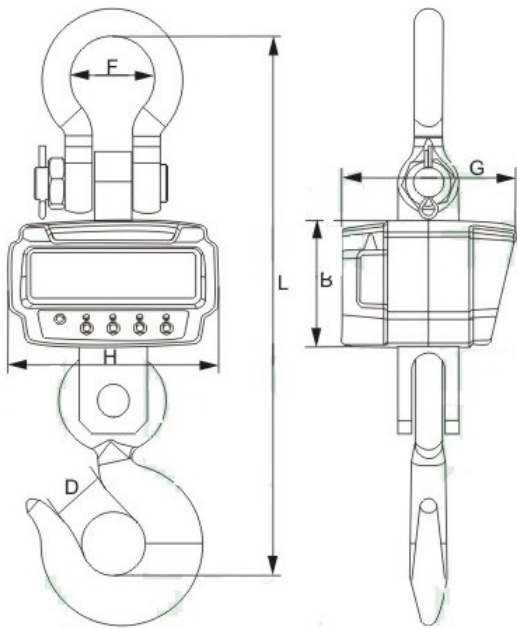
360 Degree Swivel

Internal Rechargeable battery

Aluminium Diecast Casing

125% Safe overload

400% Ultimate overload



Dimensions

Dimensions (mm)

Capacity	B	H	L	F	G	D	Weight
1000kg*0.5kg	119	119	398	76	163	34	11kg
3000kg*1kg	119	198	445	76	163	40	12kg
5000kg*2kg	119	198	511	80	163	48	16kg
10000kg*5kg	134	206	589	90	180	52	26kg



Millennium Mechatronics Limited
 Email: info@meltrons.com | www.meltrons.com

